

9. Install the two drain plugs (1) to the bottom of the hydraulic oil reservoir (2).

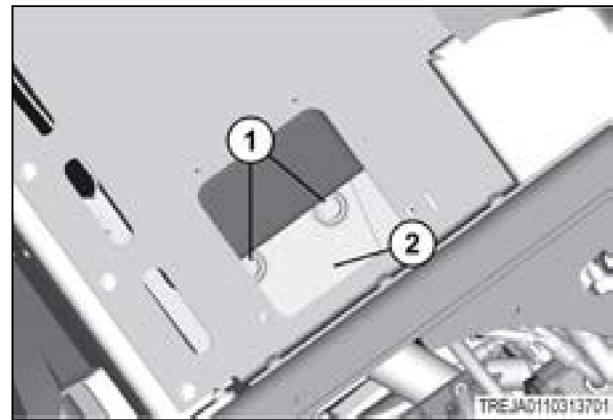


Fig. 88

10. Install the cover plate (2) with the hardware (1).
11. Fill the hydraulic reservoir with the correct type and the correct amount of hydraulic oil.

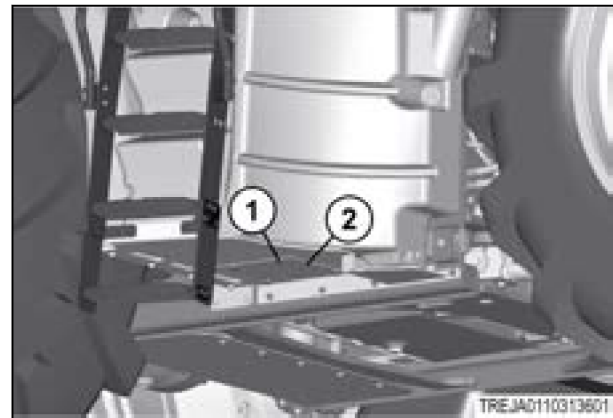


Fig. 89

12. Install the battery disconnect switch key (1).

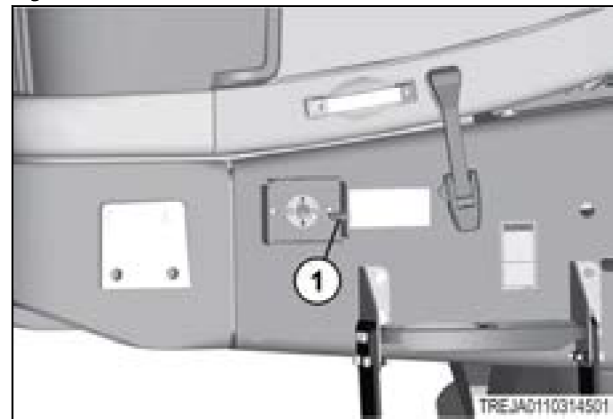


Fig. 90

13. Turn the battery disconnect switch key (1) clockwise to connect the battery power.

NOTE:

The battery disconnect switch is shown in the on position.

14. Check for leaks. Check the hydraulic reservoir for the correct oil level.

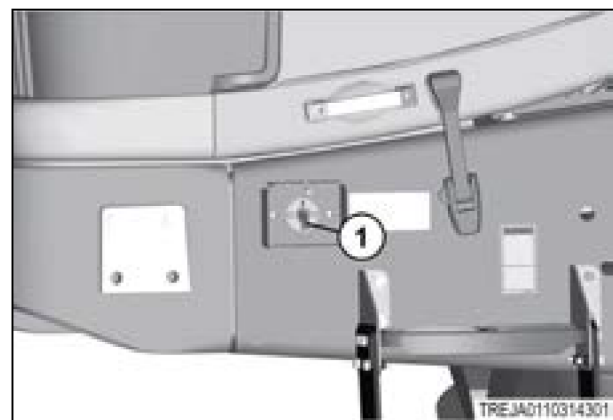


Fig. 91

Related Links

[Lubricant viscosities](#) page 1-18

9.3.5 Remove the steering and implement pump

WARNING: Hot components can burn.

Severe personal injury can result.

Let the engine and components cool before doing maintenance.



WARNING: Hydraulic fluid under pressure can penetrate the skin or eyes.

Serious personal injury, blindness, or death can occur.

Relieve the pressure from the system or component before disconnecting components.

Wear personal protective gear while working on the machine or equipment. Use a piece of cardboard to check for leaks. Never use your hand.

IMPORTANT:

Before removal, fasten identification tags on the components for correct installation at assembly. Put caps and plugs on all hoses, fittings, and ports to prevent contamination from entering the system.

IMPORTANT:

Contain all fluids during the performance of inspection, maintenance, doing tests, adjusting, and repair of the machine. Prepare to contain fluids with the correct containers before opening any compartment or disassembling any component containing fluids. Discard fluids according to the local regulations and the laws.

IMPORTANT:

Completely clean all components to prevent contamination from entering the system. Contamination can damage the precision components. Perform disassembly procedures on a clean work surface. Put a clean cloth on top of the components.

Procedure

1. Park the machine on a solid, level surface. Stop the engine, apply the parking brake, and take the key with you.
2. Turn the battery disconnect switch key (1) counterclockwise to disconnect the battery power.

NOTE:

The battery disconnect switch is shown in the off position.

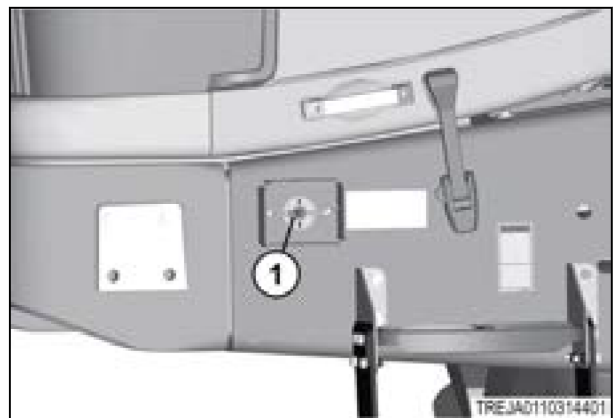


Fig. 92