

4.4 Rogator management center

4.4.1 Removing the RMC

Procedure

1. Turn the battery disconnect switch (1) to the off position and then remove the key.
2. Loosen the terminal thumb screw (1) and tilt the display forward to help in the removal.
3. Remove the two cover screws (1) and the cover (2).

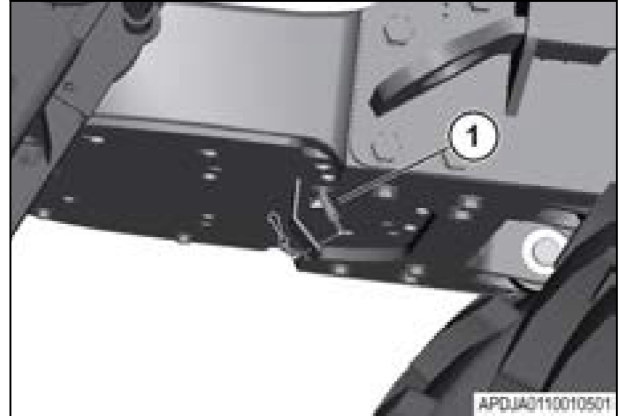


Fig. 42

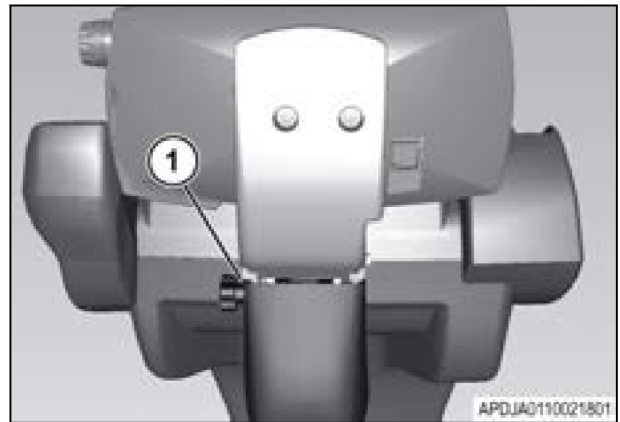


Fig. 43

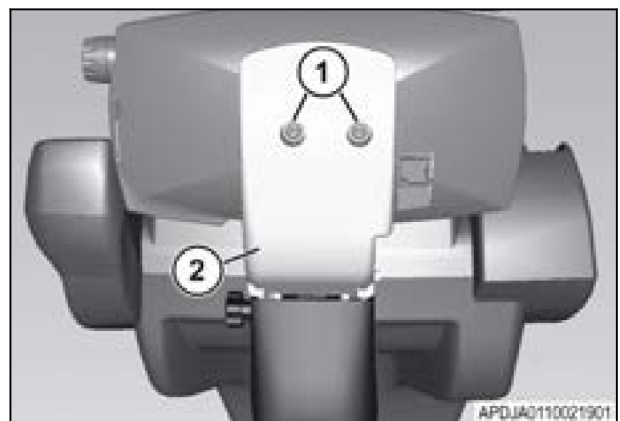


Fig. 44

4. Disconnect the wiring harness (1) . Remove the video cable (2) if equipped.

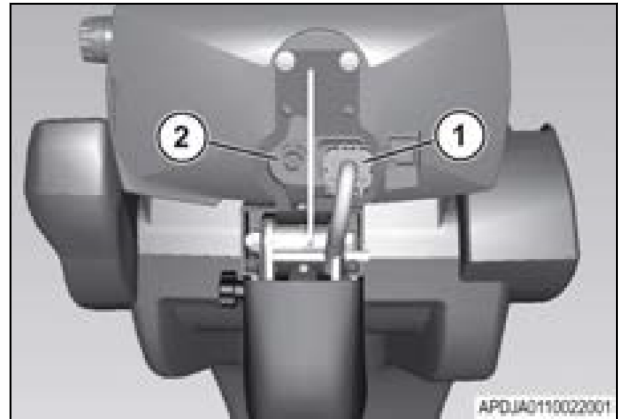


Fig. 45

5. Remove the two mounting plate screws (1) and remove the RMC.

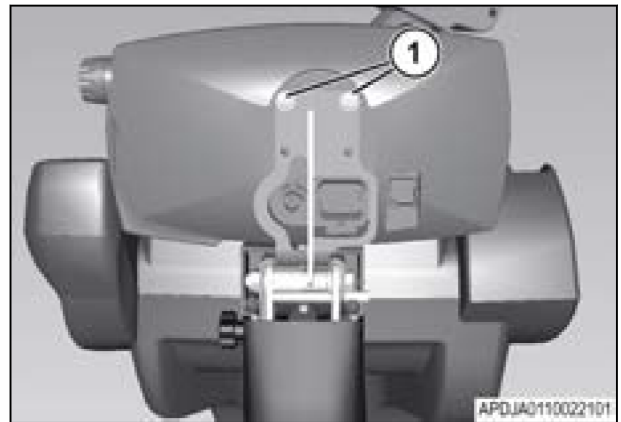


Fig. 46

4.4.2 Installing the RMC

Procedure

1. Install the terminal to the mounting plate with two mounting plate screws (1).

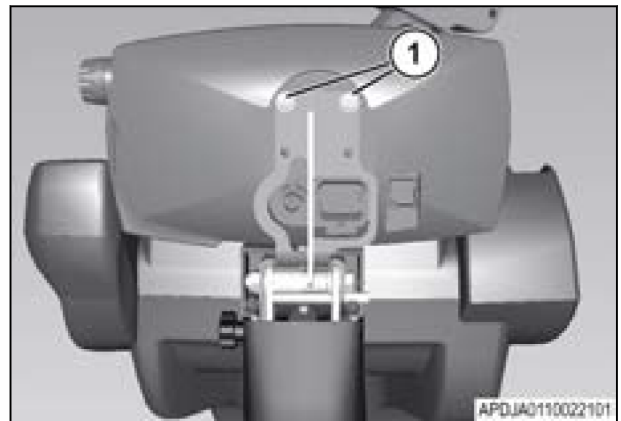


Fig. 47