

12.1 Chassis component removal and installation

12.1.1 Remove the step group

Procedure

1. Park the machine on a solid level surface. Stop the engine, apply the park brake, and take the key with you.
2. Turn the battery disconnect switch key (1) counterclockwise to disconnect the battery power.

NOTE:

The battery disconnect switch is shown in the off position.

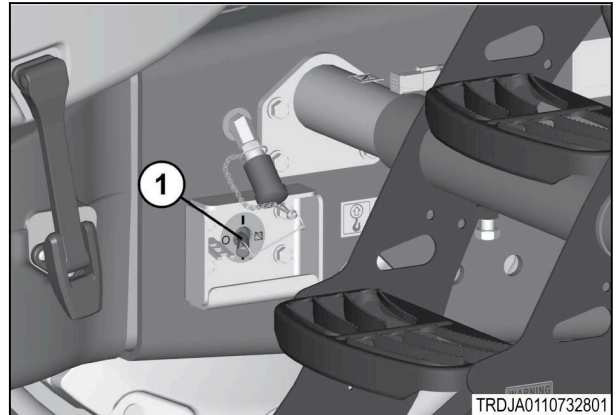


Fig. 1

3. Remove the battery disconnect switch key (1).

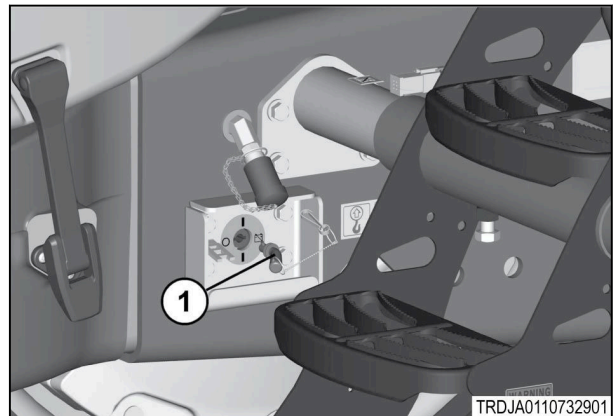


Fig. 2

4. Remove the hardware (1) and the outside handrail (2).

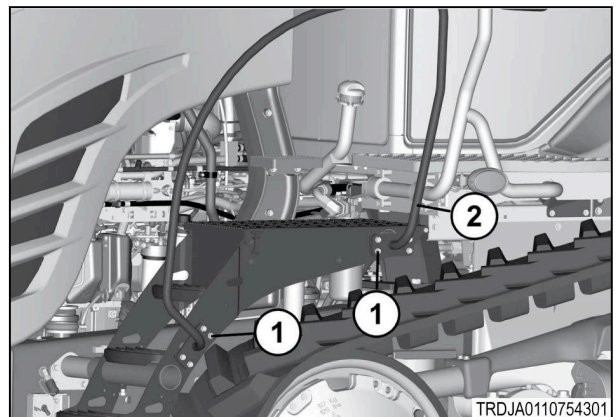


Fig. 3

5. Remove the hardware (1) and the inside handrail (2) if equipped.

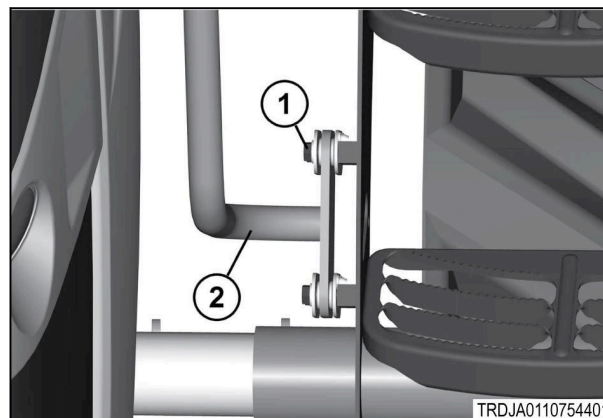


Fig. 4

6. Loosen the hardware (1) and slide the step assembly (2) out to remove.

IMPORTANT:

The weight of the step assembly is approximately 62.4 kg (138 lb).

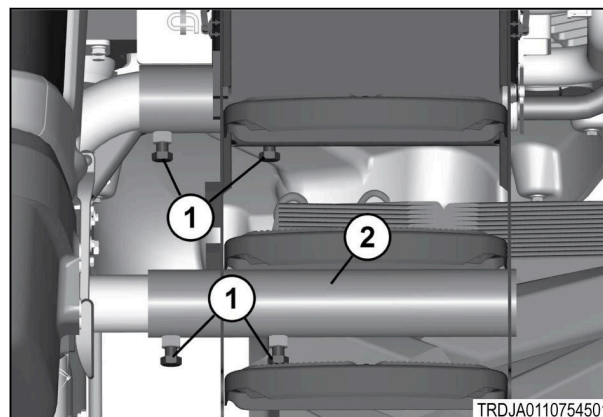


Fig. 5

7. Remove the hardware (1) and the step assembly mounting tubes (2).

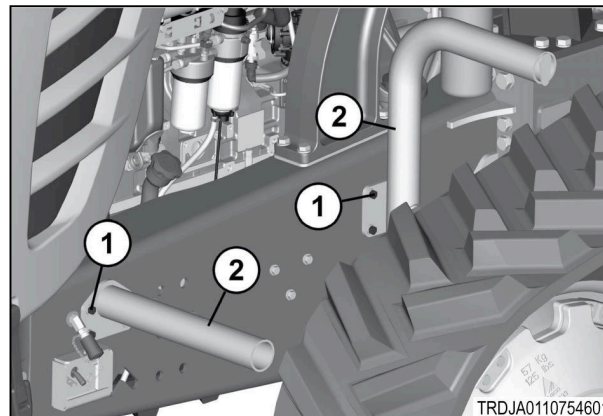


Fig. 6

8. Disconnect the two latches (1). Remove the hardware (2) and the toolbox cover (3).



WARNING:
Hinge bolts contain hinge springs. Be careful when removing hinge bolts. Springs under pressure can cause personal injury.

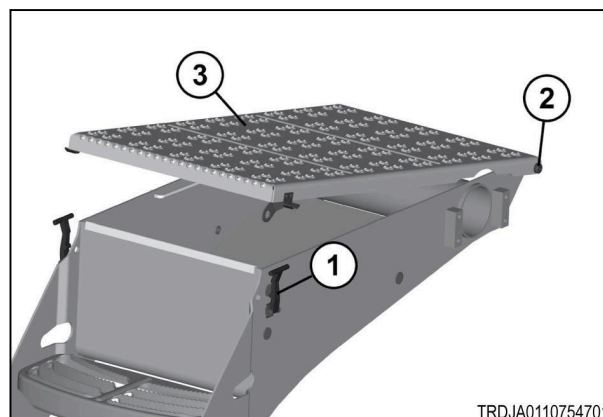


Fig. 7