

1. General

9. Slide the driveline into the storage hook (1) on the header so the disc (2) drops to secure the driveline.

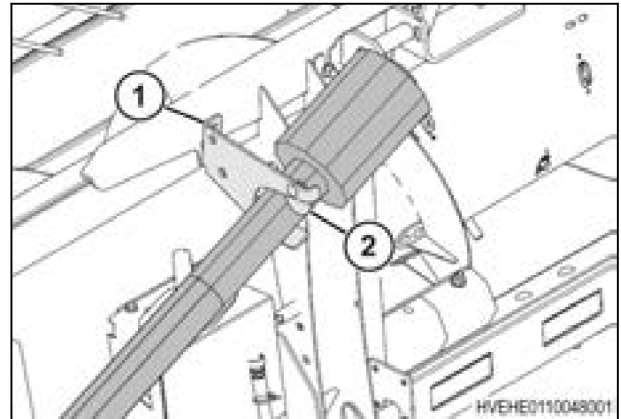


Fig. 46

10. Use the header wrench (1) on the locking mechanism (2) to unlock the header from the feeder house.



Fig. 47

11. Lower the feeder house until the posts (1) are fully disengaged from the header top beam (2). Slowly back the combine away from the header until completely clear of the header.

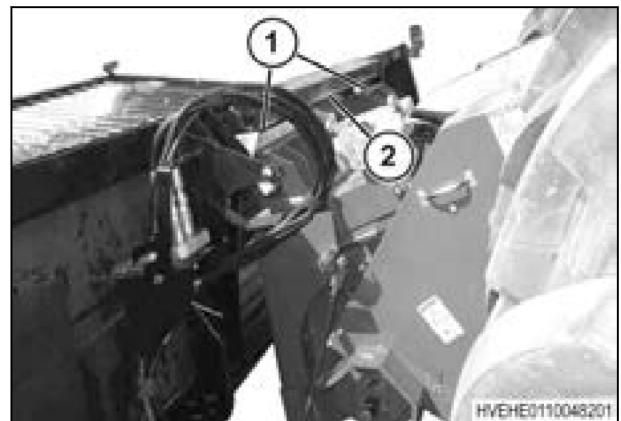


Fig. 48

1.10 Field operation

Operation of the header in all conditions requires making the correct adjustments for changing crops and conditions.

Correct operation reduces crop loss and increases productivity. The correct adjustments and maintenance will increase the length of service of the machine.

Most adjustments are set from the factory, but most of the settings can be changed according to crop conditions.

1.10.1 Draper speed

Performance of the header in different crop and field conditions change with the speed of the draper belts. Performance of the header also changes with the ground speed of the combine.

- If the swath is pushed forward too much, the draper belt speed is too low. Some of the crop will not be picked up.
- If the swath is torn apart and is pulled toward the header, the draper speed is too high. The swath will not feed evenly into the combine.

Set the pickup speed so the swath is pushed forward a small amount.

If the combine has a reel speed readout, the reel speed readout is the draper speed. Draper speed is adjusted from the combine cab by changing the amount of oil flow to the pickup hydraulic motors using the reel speed controls. The ratio of pickup speed to combine ground speed can be set using the combine header controls.

1.10.2 Header height

Header height is the distance between the deck pivot and the ground. The specification for operating header height (1) is 305 mm (12 in).

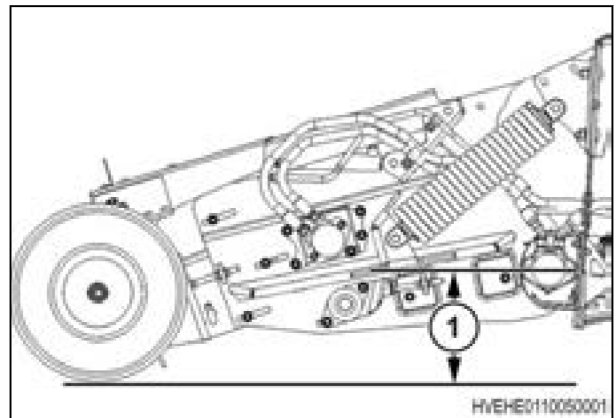


Fig. 49

Header height adjustments are controlled by the header height control. The decals (1) on both sides of the header indicate the operating height.

The location of the end plate (2) on the decal shows the header height. The position between four and five indicates the standard operating height of 305 mm (12 in).

Position one indicates the bottom height. Position seven indicates the highest height.

If the combine is equipped with automatic height control, use the following information.

- The specification for pickup height is 305 mm (12 in). The automatic height control will work best in the neutral position.

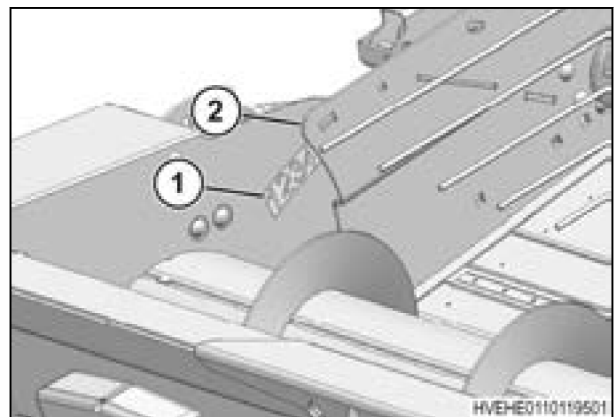


Fig. 50