

7. Carefully move the condenser into the engine cover brackets, and attach the condenser to the access panel with bolts, washers, and nuts (1).

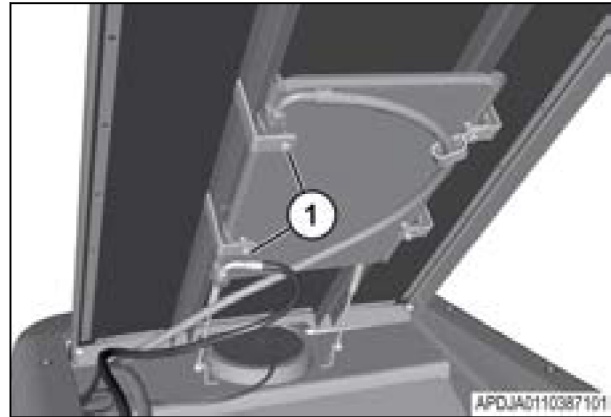


Fig. 22

8. Install the rear engine cover (1).

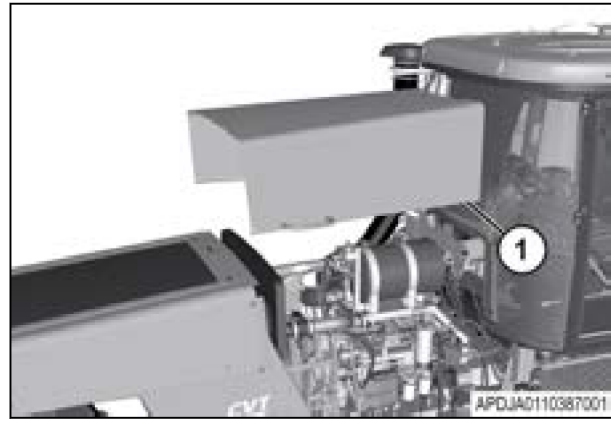


Fig. 23

9. Attach the rear engine cover to the front engine cover with screws and washers (1).

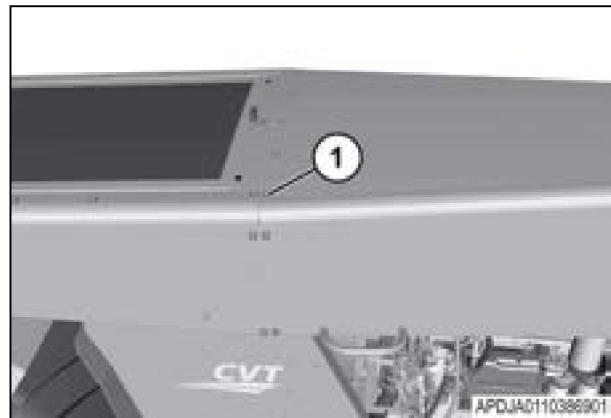


Fig. 24

## 13 Wheels

<b>13.1</b>	<b>Wheels and tires removal and installation</b>	<b>13-3</b>
13.1.1	Remove the front wheel	13-3
13.1.2	Install the front wheel	13-5
13.1.3	Remove the rear wheel	13-6
13.1.4	Install the rear wheel	13-7
13.1.5	Tighten the wheel mounting hardware	13-7
13.1.6	Maintain the wheel nuts	13-8
13.1.7	Tires	13-8
13.1.8	Inflate the tire	13-8
13.1.9	Replace the tire	13-9
13.1.10	Tire charts	13-9