

1.7.4 Lubrication fittings

Drive shaft (1).

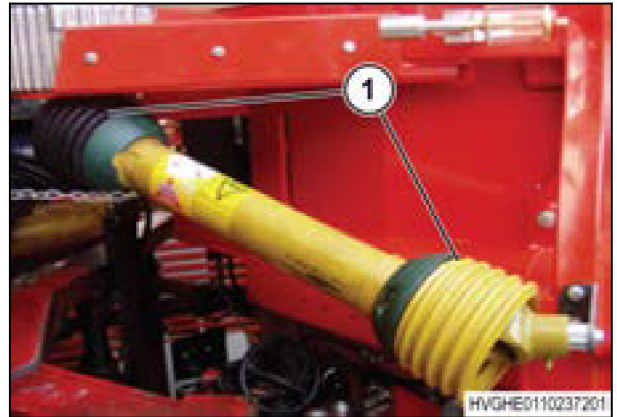


Fig. 29

Input gearbox coupling drive (1).

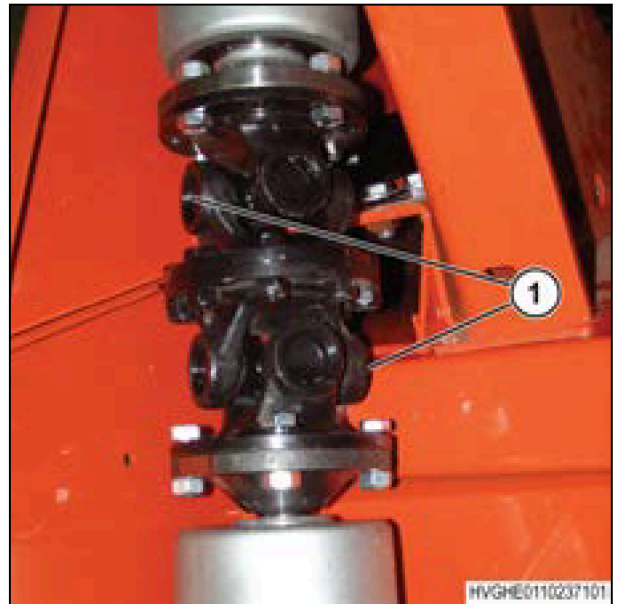


Fig. 30

Row unit clutch (1).

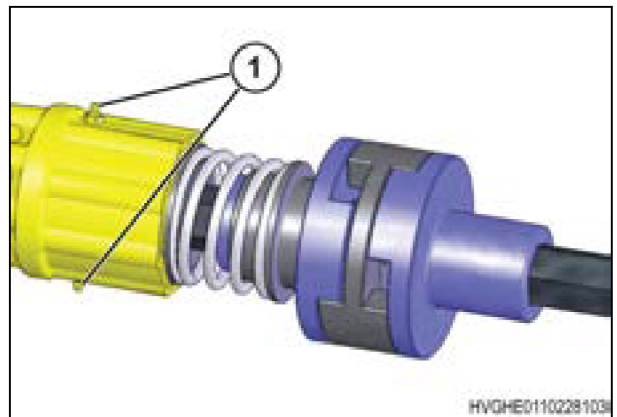


Fig. 31

Snapping rolls (1).

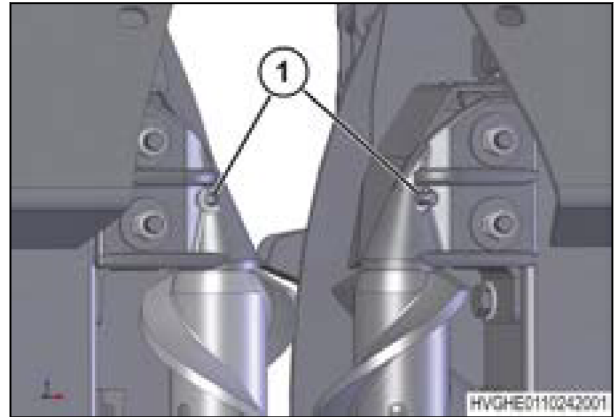


Fig. 32

Frame pivot points (1).

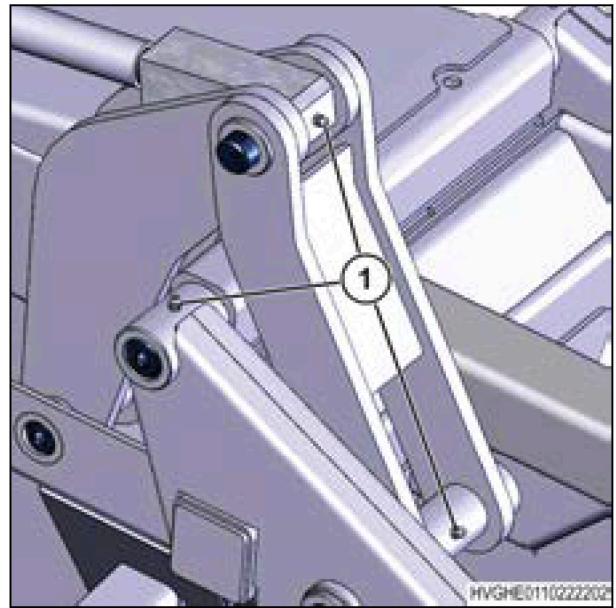


Fig. 33