

8. Air system

4. Remove the battery disconnect switch key (1).

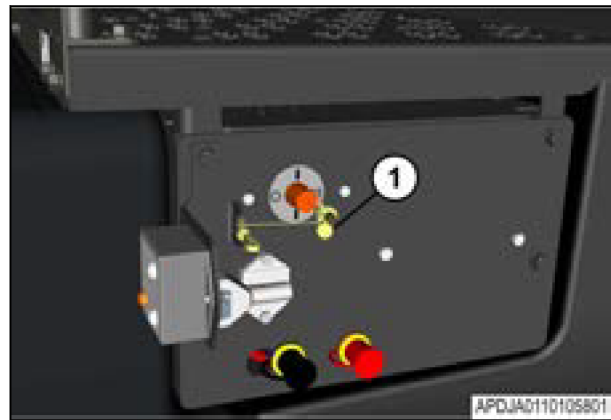


Fig. 4

5. Open the drain valve (1) on the reservoir to relieve the air system pressure.

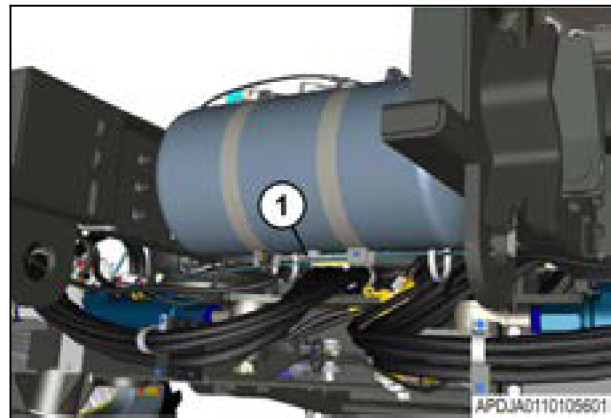


Fig. 5

6. Remove the plug (1).

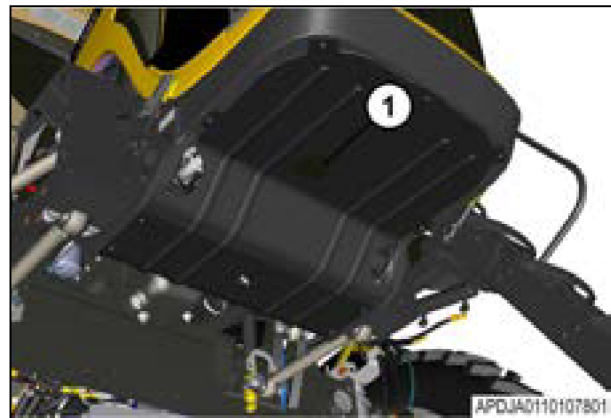


Fig. 6

7. When the engine has cooled, loosen the drain valve (1) and drain the engine coolant into a correct container.

**NOTE:** *The front cover has been made transparent for clarity.*



Fig. 7

8. Loosen the hose clamp (1) and remove the hose.
9. Disconnect the air discharge hose (2).
10. Disconnect the coolant line (3) from the rear of the air compressor.
11. Disconnect the coolant line (4) from the top of the air compressor.

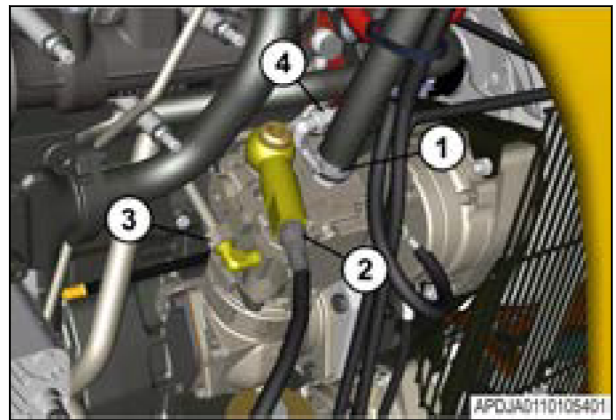


Fig. 8

12. Support the air compressor (1) and remove the bolts (2) holding the air compressor to the adapter plate.

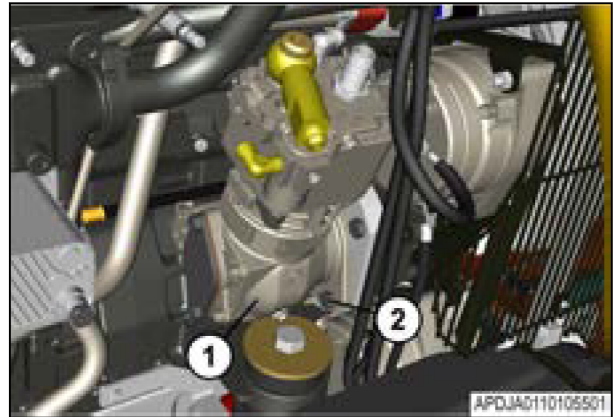


Fig. 9

13. Slide the air compressor (1) out of the adapter.
14. Remove the air compressor.

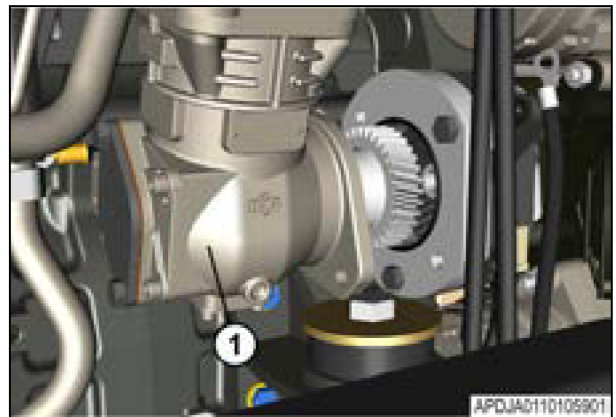


Fig. 10