

8. Remove the flange screws (1) and the lock washers fastening each rock guard (2) to the front of the cutterbed. Remove the rock guards.

9. Support the weight of the cutterbed.

IMPORTANT:

The cutterbed weight is very heavy and is difficult to move and handle. Use an assistant when removing the cutterbed from the frame. Make sure the lifting device will support the cutterbed. Keep fingers, hands, and feet clear while removing the cutterbed.

10. Remove the flange screw (1) and the lock nut fastening each end cap (2) of the cutterbed to the frame.

IMPORTANT:

Support the cutterbed across the full length of the assembly.

11. Remove the lock nuts (1) and the carriage bolts fastening the cutterbed (2) to the mounting channel (3) on the frame.

12. Carefully move the cutterbed forward out of the mounting channel. Remove the cutterbed from the machine.

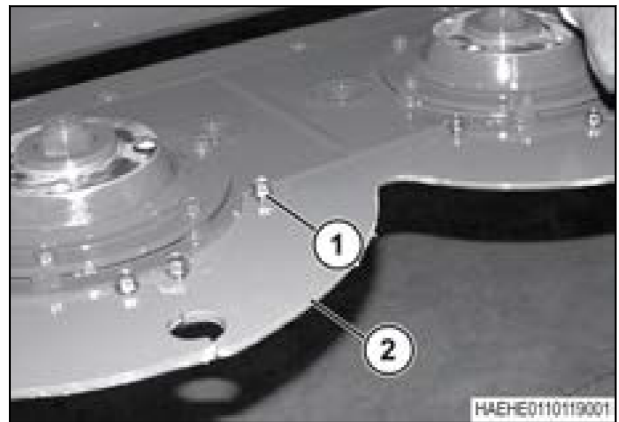


Fig. 31

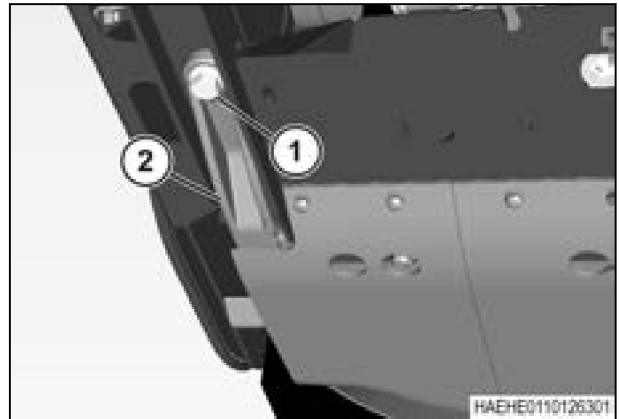


Fig. 32

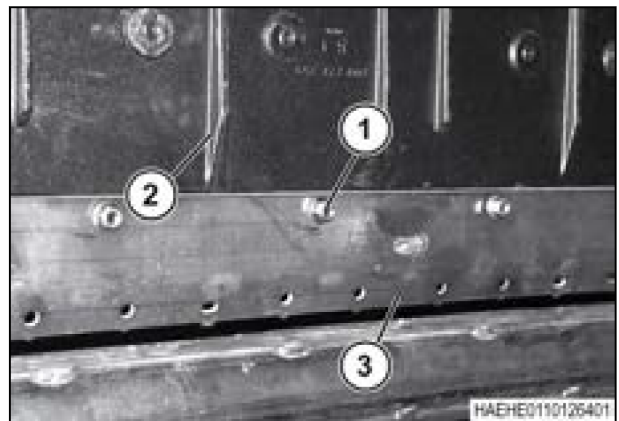


Fig. 33



Fig. 34

5.3.7 Disassemble the cutterbed

Procedure

1. Put the cutterbed (1) onto a clean work area.
2. Make sure to drain the oil before disassembling the cutterbed.
3. Remove the flange screw and the lock nut (1) at the rear of the end cap (2).
4. Remove the flange screw (1) at the front of the end cap (2). Remove the end cap.



Fig. 35

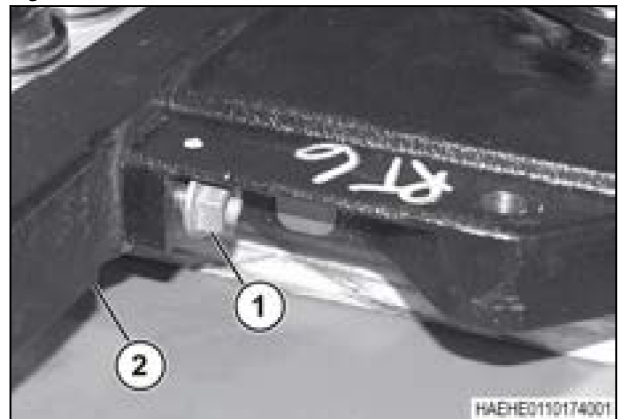


Fig. 36

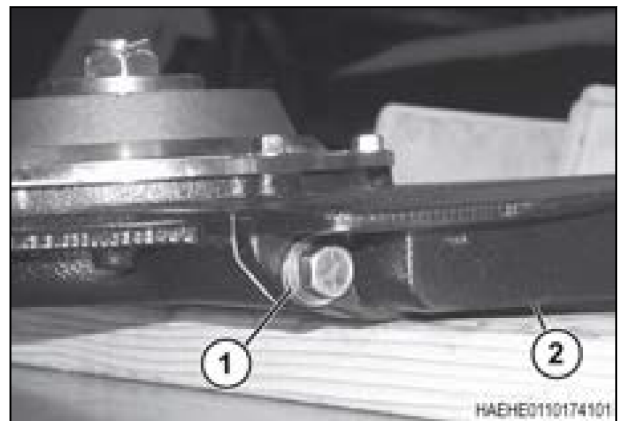


Fig. 37