

**Settings NOT compatible with the debris deflectors**

Track setting	No tank	159 liter (35 gal) tank	355 liter (78 gal) tank
Narrow	1905 mm (75 in)	2134 mm (84 in)	2362 mm (93 in)
Wide	1982 mm (78 in)	2210 mm (87 in)	2438 mm (96 in)

**12.1.2 Adjust the debris deflectors**
**Before starting the procedure**


**DANGER: Entanglement hazard. Rotating components.**

**Severe personal injury or death can occur.**

**Do not make adjustments or repairs to components while they are moving. Stop the machine before doing service to the machine.**

**Procedure**

1. Park the machine on a solid, level surface.
2. Apply the parking brake, stop the engine, and take the key with you.
3. Remove the four bolts (1), four washers (2), and debris deflector assembly (3) from the track frame.

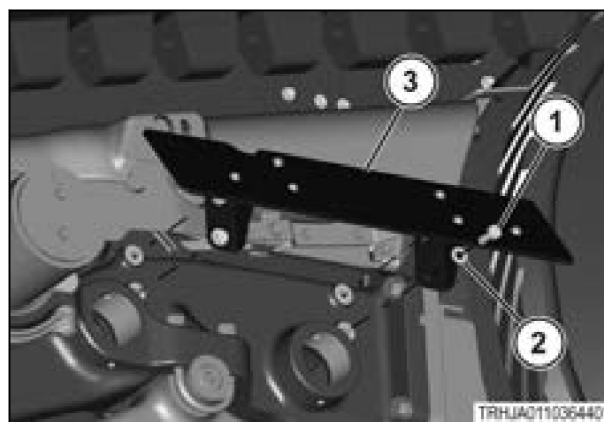


Fig. 4

4. Remove the bolts, washers (1), and mounts (2) that attach the deflector.

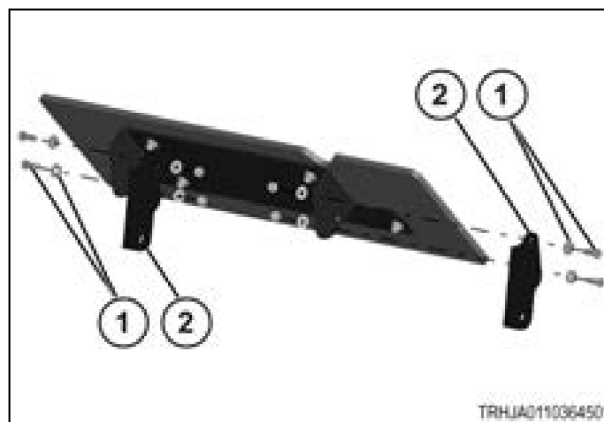


Fig. 5

- Adjust and install the bolts, washers, and mounts at the new location (1, 2) for the debris deflector.

Item	Setting location	Distance
(1)	Narrow	(A) 161 mm (6.3 in)
(2)	Wide	(B) 200 mm (7.8 in)

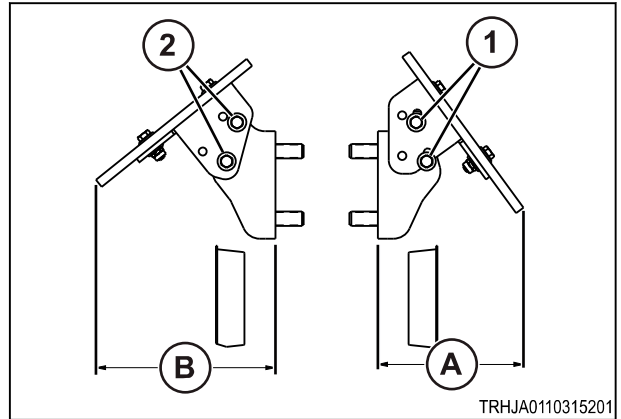


Fig. 6

- Install the debris deflector assembly (3), washers (2), and bolts (1) in the mounting holes of the track frame.
- Do the procedure again for the debris deflector on the inside of the track frame.

**Result**

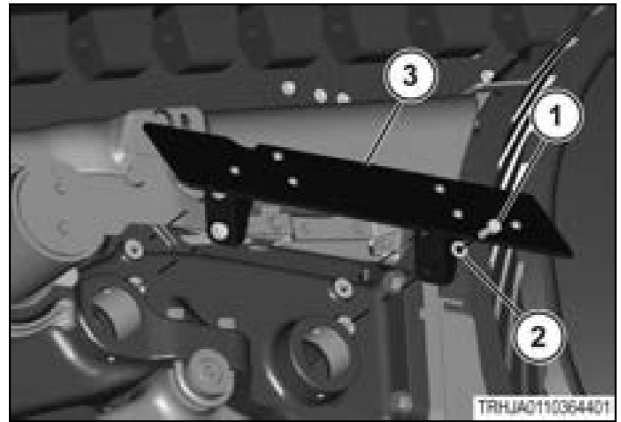


Fig. 7

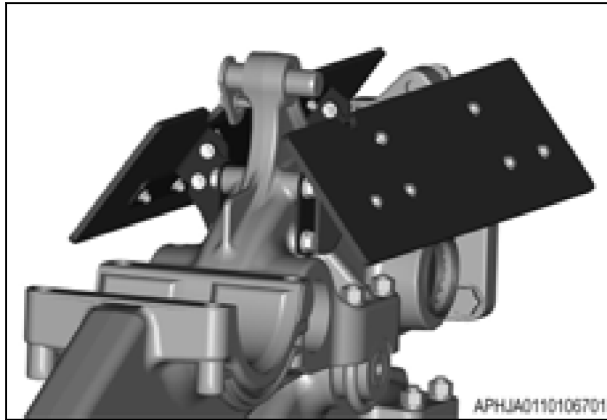


Fig. 8 Narrow setting

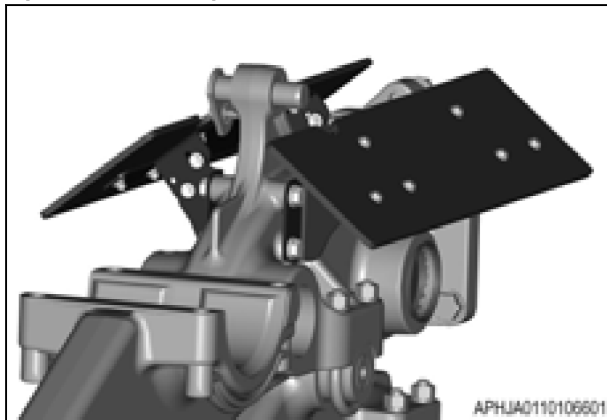


Fig. 9 Wide setting