

4. Drivetrain system

12. Remove the transmission (1) with the correct lifting device. The weight of the transmission is approximately 1406 kg (3100 lb).

NOTE:

If necessary, install pusher bolts near the dowel holes to assist in disconnecting the transmission from the steering differential.

13. Put the transmission on the correct blocks.

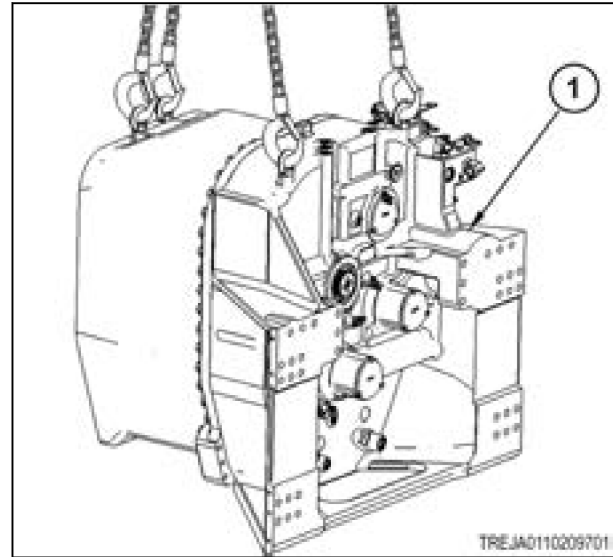


Fig. 23

Related Links

[Remove the hydraulic pump drive](#) page 4-86

[Disconnect the drivetrain from the engine frame](#) page 4-10

4.2.3 Remove the transmission shafts

Procedure

1. Disassemble the front transmission housing.
2. Disassemble the rear transmission housing.
3. Fasten the plate (1) to the transmission shafts. Connect the correct lifting equipment to the plate.
4. Remove the intermediate shaft (2), reverse shaft (3), input shaft (4), and the output shaft (5).

The weight of the transmission shafts is approximately 340 kg (750 lb).

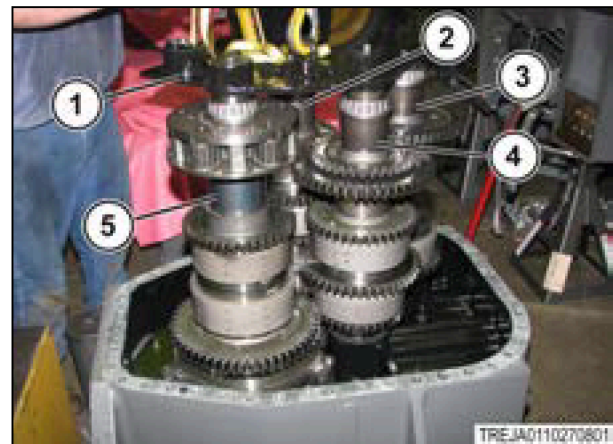


Fig. 24

5. Remove the O-rings (6).

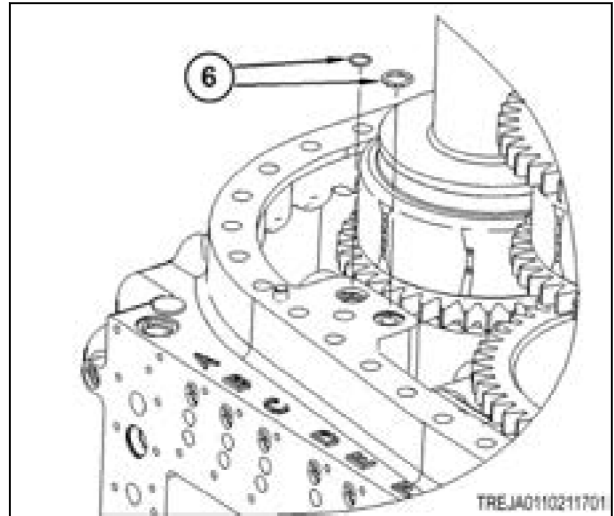


Fig. 25

6. Put the transmission shafts on the table (1).

7. Remove the plate (2).



Fig. 26

Related Links

[Disassemble the transmission](#) page 4-40

[Assemble the transmission](#) page 4-45

4.2.4 Disassemble the reverse shaft

Special tools

Description	Part number	Vendor	Where used	Mandatory
Step plate	8B-7560	Caterpillar dealer network	Drive train system	Mandatory
Combination puller	1P-2322	Caterpillar dealer network	Drive train system	Mandatory
Shaft retainer	207-8153	Caterpillar dealer network	Drive train system	Mandatory