

5.4 Reel relief valve

5.4.1 Remove the reel relief valve

Procedure

1. Remove the hydraulic cover (1).
2. Clean the area below the hydraulic cover.
3. Remove the hardware (1) for the line clamps for the hydraulic lines.
4. Disconnect the hydraulic lines (2) from the tee fittings in the reel relief valve (3).
5. Disconnect the hydraulic hoses (4) from the tee fittings in the reel relief valve.
6. Remove the reel relief valve hardware (5).
7. Remove the reel relief valve.

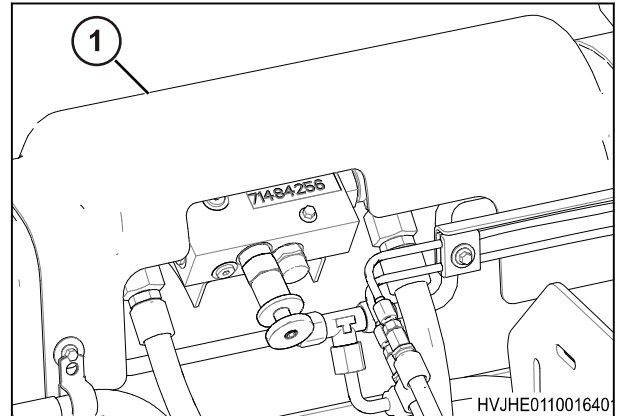


Fig. 29

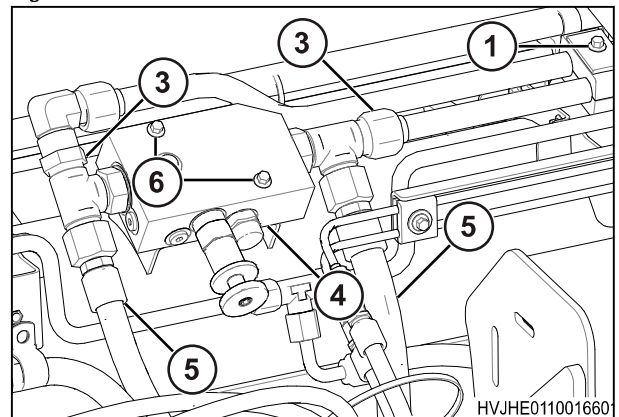


Fig. 30

5.4.2 Install the reel relief valve

Procedure

1. Install the reel relief valve (1) to the frame. Install the reel relief valve hardware (2).
2. Install the hydraulic lines (3) to the tee fittings.
3. Install the hydraulic hoses (4) to the tee fittings.
4. Install the large line clamp and tighten the hardware (5).

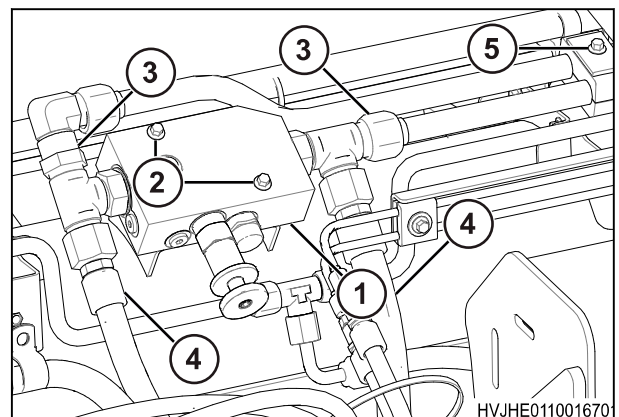


Fig. 31

5. Install the hydraulic cover (1).

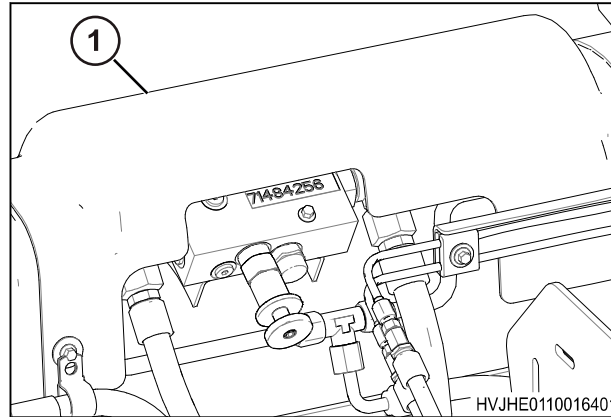


Fig. 32

5.4.3 Disassemble the reel relief valve

Procedure

1. Clean reel relief valve assembly.
2. Remove the tee fittings (1) from the reel relief valve (2).
3. Remove the relief valve (3) and the check valve (4).

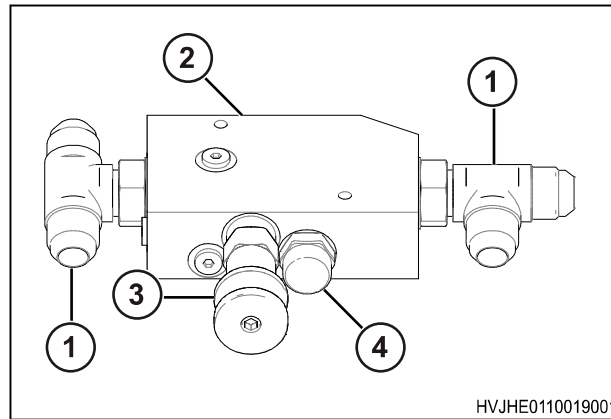


Fig. 33

5.4.4 Assemble the reel relief valve

Procedure

1. Clean all the reel relief valve parts.
2. Put oil on the O-rings on the tee fittings (1).
3. Install the tee fittings into the reel relief valve (2). Do not tighten the nuts on the tee fittings.
4. Install the relief valve (3) and the check valve (4).

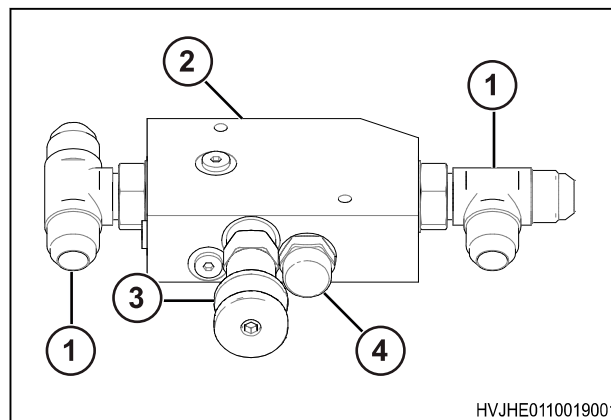


Fig. 34