

The forming shield can be adjusted to make the windrow wider in heavy crop or narrower in light crop. These adjustments give maximum air flow through the windrow for fast crop drying.

### 1.6.5 Component access

To open a drive shield (1), lift all the way up on the handle (2) and push the drive shield forward.

To close a drive shield, pull rearward on the handle and lower all the way down. Make sure the drive shield's lower lip is behind the support channel.

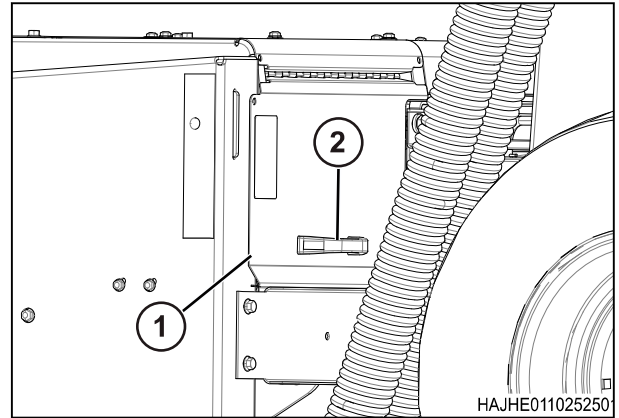


Fig. 38

To open a cutterbed cover (1), lift the cover all the way up. Make sure the cover support (2) engages the notch (3) in the center section.

To close a cutterbed cover, lift the cutterbed cover slightly. Lift the cover support out of the notch in the center cover and lower the cutterbed cover. Make sure the cutterbed cover is all the way down and the curtains held closed by the magnets.

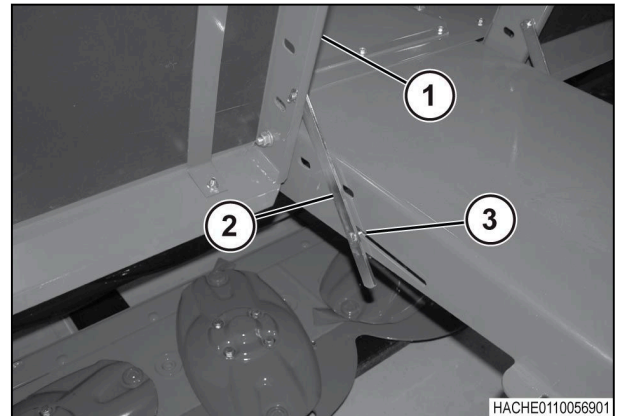
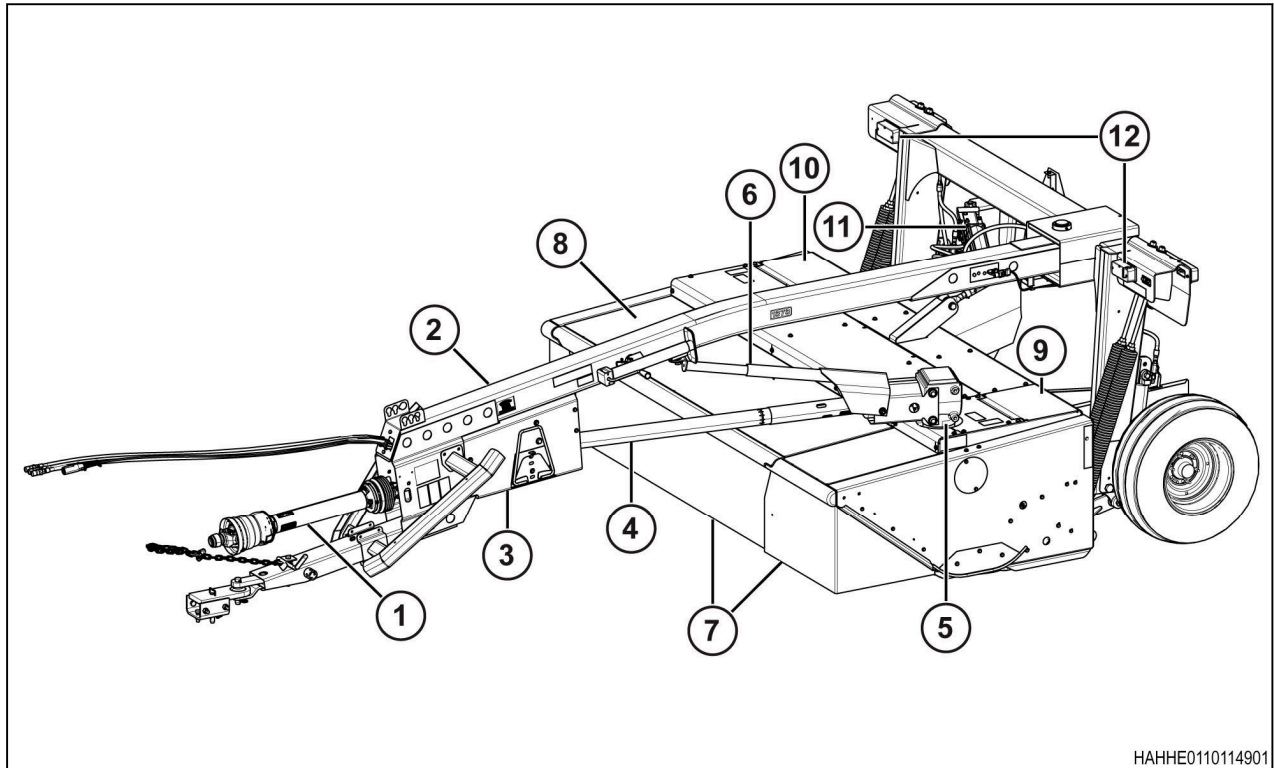


Fig. 39

## 1.6.6 Component location

### Side pull



HAHHE0110114901

Fig. 40 Side view

- |                               |                              |
|-------------------------------|------------------------------|
| (1) Implement driveline (IDL) | (7) Curtains                 |
| (2) Tongue                    | (8) Cutterbed cover          |
| (3) Tongue driveline          | (9) Conditioner drive shield |
| (4) Clutch driveline          | (10) Right top shield        |
| (5) Header drive gearbox      | (11) Steering cylinder       |
| (6) Steering arm              | (12) Amber warning lamps     |