

5. Flotation

3. Make sure the washer (1) is on the adjustment bolt (2).
4. Apply an antiseize compound onto the threads of the adjustment bolt.
5. Put the adjustment bolt through the anchor mount (3).
6. Put the nut (4) on the adjustment bolt.

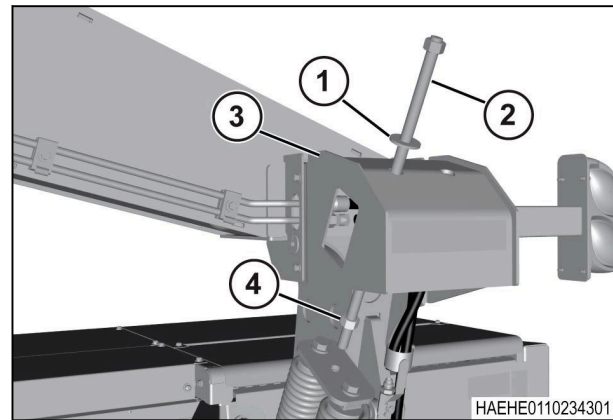


Fig. 7

7. Install the adjustment bolt (1) into the spring assembly (2). Use the measurement from disassembly set the initial header flotation.
8. Turn the adjustment bolt until the header flotation is correct.

There must be 100 lb to 150 lb of load at the forward most point of the side panel.

- Tighten the adjustment bolt to lengthen the spring and to increase flotation.
- Loosen the adjustment bolt to shorten the spring and to decrease flotation.

9. When the initial adjustment is correct, jam the nut (3) against the flotation spring assembly.

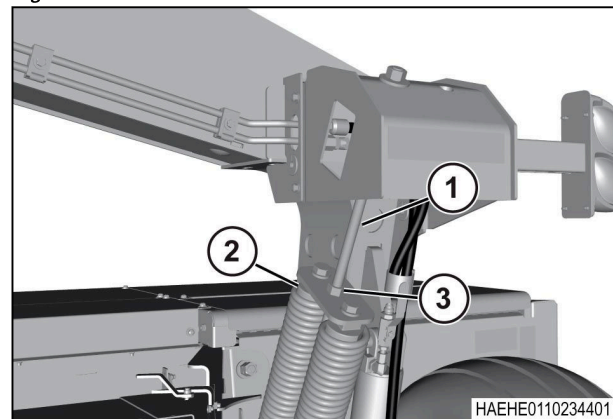


Fig. 8

## 6 Cutterbar

<b>6.1</b>	<b>Lubrication</b> .....	<b>6-3</b>
6.1.1	Cutterbed oil level .....	6-3
6.1.2	Change the cutterbed oil .....	6-3
<b>6.2</b>	<b>Cutterbed inspection</b> .....	<b>6-5</b>
<b>6.3</b>	<b>Discs</b> .....	<b>6-6</b>
6.3.1	Disc maintenance .....	6-6
6.3.2	Replace a disc .....	6-6
6.3.3	Replace a disc spindle assembly .....	6-7
<b>6.4</b>	<b>Knives</b> .....	<b>6-9</b>
6.4.1	Knife wedging under disc .....	6-9
6.4.2	Knife inspection .....	6-9
6.4.3	Disc rotation .....	6-10
6.4.4	Replace a fixed blade knife .....	6-10
6.4.5	Replace a quick change knife .....	6-11
6.4.6	Replace a knife quick change spring .....	6-12
6.4.7	Knife type .....	6-12
6.4.8	Knife hardware inspection .....	6-13