

9.1 Cutterbar

9.1.1 Remove sickle

For satisfactory cutting, the sickle must be sharp and correctly adjusted.



WARNING:
Always disengage the drives before servicing the sickle.

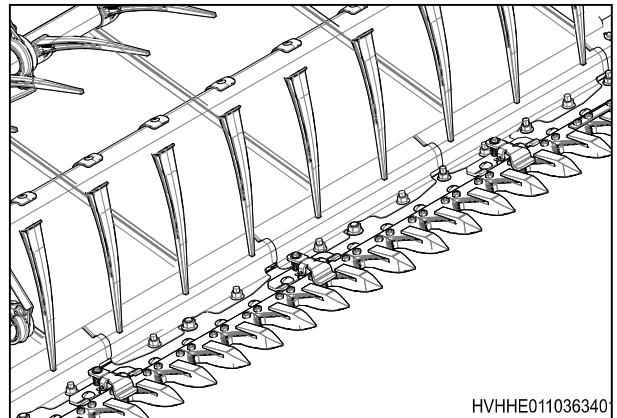


Fig. 1

Procedure

1. Correctly set the machine before doing service.



WARNING: Machine movement hazard.

Personal injury or machine damage can occur.

Park the machine on a solid level surface. Lower all implements to the ground. Stop the engine, apply the parking brake, remove the key, and put a chock in front and behind the front drive tires.

2. Engage the reel lift cylinder stops (1) onto the carrying straps (2).

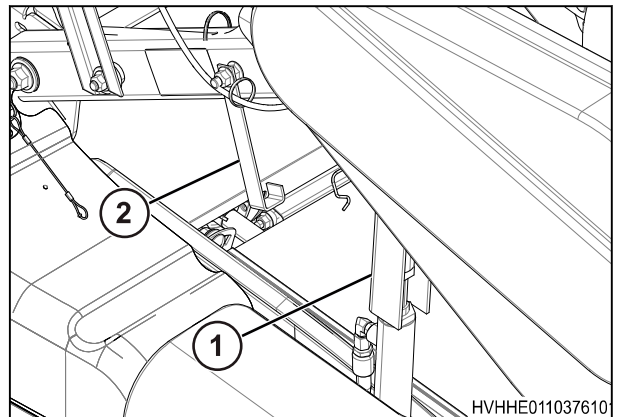


Fig. 2

3. Engage the header lift cylinder stop (1).

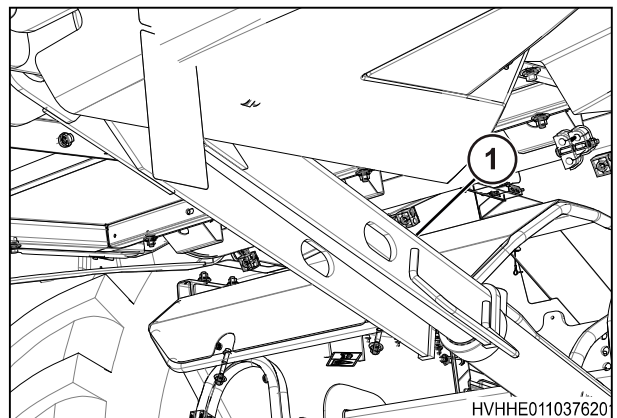


Fig. 3

4. **All standard sickles:** Tighten the machine screw (1) on the adjustable hold downs to remove the hold down pressure on the sickle assembly.

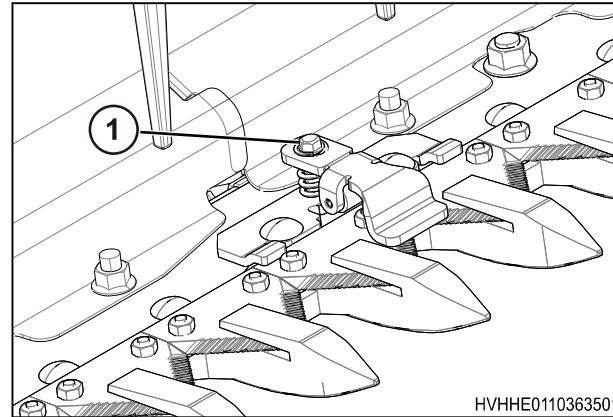


Fig. 4

5. **Dual standard sickles:**

- Remove the self-locking nuts and carriage bolts (1) that attach the two hold down assemblies (2) at the end of the right sickle.
- Remove the two hold down assemblies from the cutterbar.
- Remove the remaining self-locking nuts and carriage bolts (3) that attach the two guards (5) and the guard (6).
- Remove the guards from the cutterbar.
- Remove the five special lock nuts (7) and ribbed neck bolts that attach the overlap strap and the overlap section spacer (8) to the right knife back.

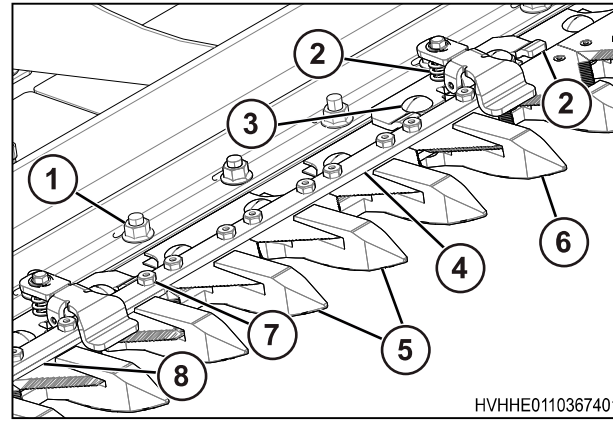


Fig. 5

NOTE: It is not necessary to remove the overlap strap (4) to remove the left sickle assembly.

- Remove the overlap assembly and the two loose sections from the knife back.

6. **Dual SCH sickles:**

- Remove the self-locking nuts (1) that attach the far left center guard (2) and the center guard (3).
- Remove the guards from the cutterbar.
- Remove the three hex flange nuts and full thread cap screws that attach the overlap strap and the end sickle section (5) to the knife back of the left sickle assembly.

NOTE: It is not necessary to remove the overlap strap (4) to remove the right sickle assembly.

- Remove the overlap strap assembly and the loose sickle section from the knife back.

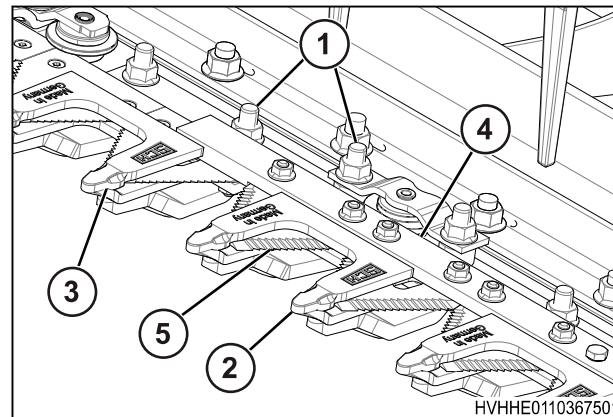


Fig. 6