

8.1.1.3 DANA front axle 740/528-529-530-613-614-615 Dimensions - Specifications - Identification

Dimensions

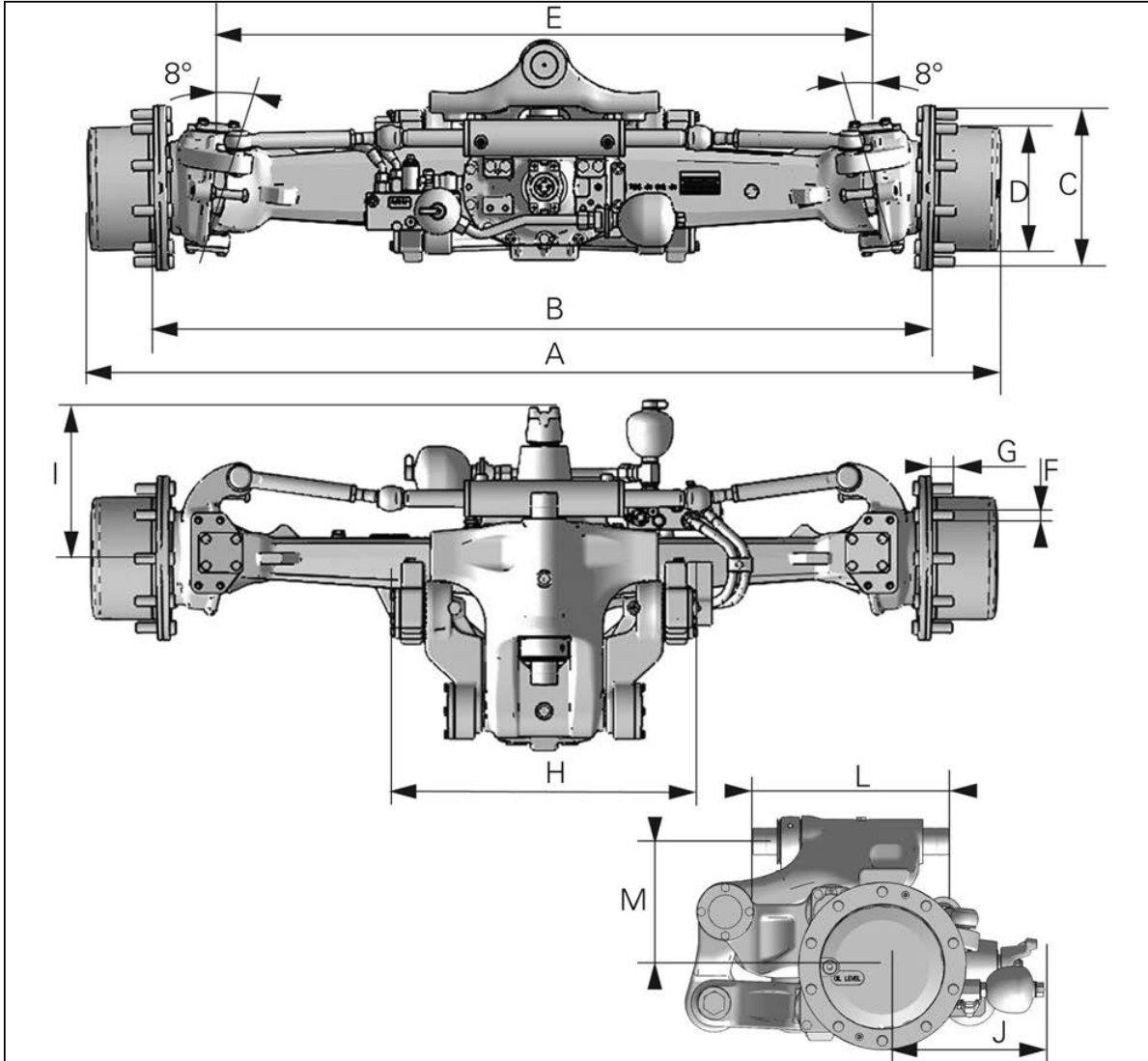


Fig. 3

Ref.	735/528	735/529	735/530	735/613	735/614	735/615
A	1998 mm	1998 mm	1998 mm	1998 mm	1998 mm	1998 mm
B	1800 mm	1800 mm	1800 mm	1800 mm	1800 mm	1800 mm
C	Ø310 mm	Ø310 mm	Ø310 mm	Ø310 mm	Ø310 mm	Ø310 mm
D	Ø220 mm	Ø220 mm	Ø220 mm	Ø220 mm	Ø220 mm	Ø220 mm
E	1520 mm	1520 mm	1520 mm	1520 mm	1520 mm	1520 mm
F	M18x1.5	M18x1.5	M18x1.5	M18x1.5	M18x1.5	M18x1.5
G	35 mm	35 mm	35 mm	35 mm	35 mm	35 mm

Ref.	735/528	735/529	735/530	735/613	735/614	735/615
H	539 mm	539 mm	539 mm	539 mm	539 mm	539 mm
I	346 mm	346 mm	346 mm	346 mm	346 mm	346 mm
L (depending on model)	440.5 mm	440.5 mm	440.5 mm	440.5 mm	440.5 mm	440.5 mm
M	215 mm	215 mm	215 mm	215 mm	215 mm	215 mm

Technical specifications

Description	Axle model					
	735/528	735/529	735/530	735/613	735/614	735/615
Number of pinion/crown wheel teeth	12/31	13/30	12/34	12/34	12/31	13/30
Ratio of final drives	6	6	6	6	6	6
Ratio of front axle	15.5	13.846	(17)	(17)	15.5	13.846
Weight (without oil)	347	347	347	587	587	587
Input shaft direction of rotation	Anti-clockwise	Clockwise	Anti-clockwise	Anti-clockwise	Anti-clockwise	Clockwise
Number of differential planet gears	4 planet gears	4 planet gears	4 planet gears	4 planet gears	4 planet gears	4 planet gears
Differential lock type	Multidisc	Multidisc	Multidisc	Multidisc	Multidisc	Multidisc
Oil specifications	SAE85W90 (API GL5-MIL 2105B)	SAE85W90 (API GL5-MIL 2105B)	SAE85W90 (API GL5-MIL 2105B)	SAE85W90 (API GL5-MIL 2105B)	SAE85W90 (API GL5-MIL 2105B)	SAE85W90 (API GL5-MIL 2105B)
Differential oil capacity (liters)	9	9	9	9	9	9