

## 4.1 Bleeding

### 4.1.1 Bleeding: TechStar CVT - Assisted brake master cylinders

#### 4.1.1.1 Charge connector

(A) Charge connector for the braking system

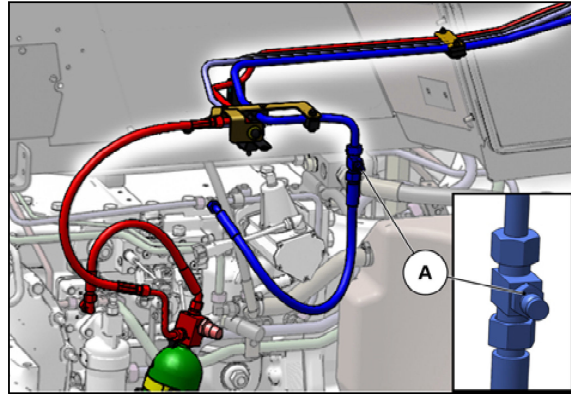


Fig. 1

#### 4.1.1.2 Pressure connector

(B) Supply for charging the braking system

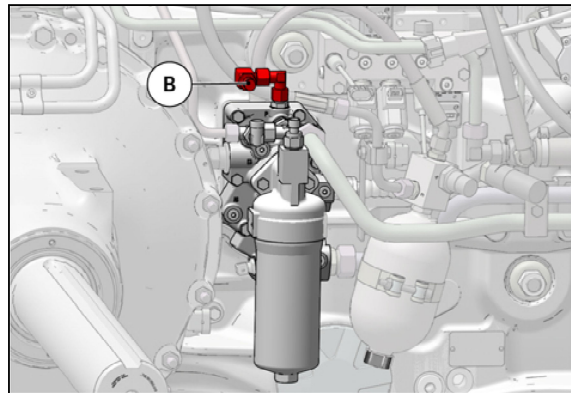


Fig. 2

#### 4.1.1.3 Bleed screw locations

##### Main brakes

- (L) Left-hand brake bleed screw
- (R) Right-hand brake bleed screw
- (F) Front universal joint brake bleed screw

The bleed screws are located on the auxiliary hydraulic spool valve support.

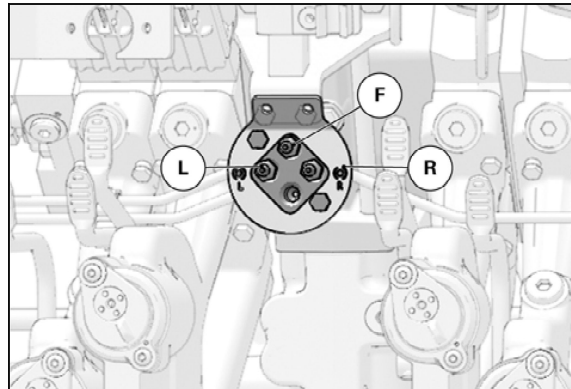


Fig. 3

**Hydraulic trailer brake**

(FR) Hydraulic trailer brake bleed screw

The bleed screw is located on the trailer brake unit.

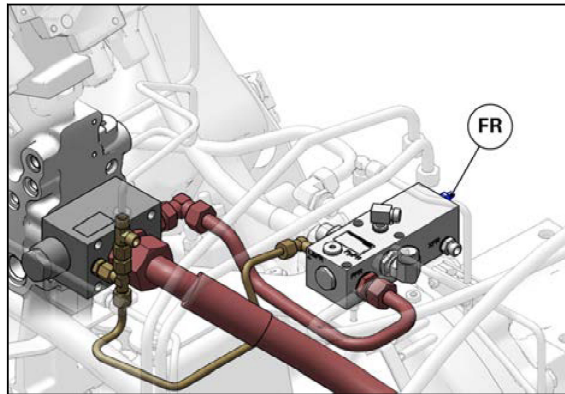


Fig. 4

**Pneumatic trailer brake**

(FP) Pneumatic trailer brake bleed screw

The bleed screw is located on the auxiliary hydraulic spool valve support.

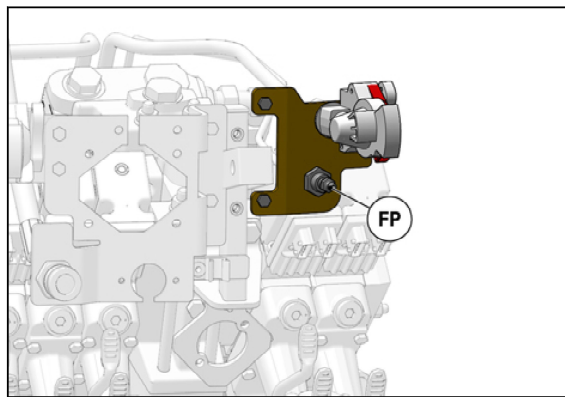


Fig. 5

**4.1.1.4 Procedure for bleeding the assisted braking system**

**IMPORTANT:**

*Bleeding the assisted braking system is carried out under pressure.*

**Procedure**

1. Fashion a charge hose:
  - (1) Female coupling 3582045M1 x 2.
  - (2) Hose 3 m long.

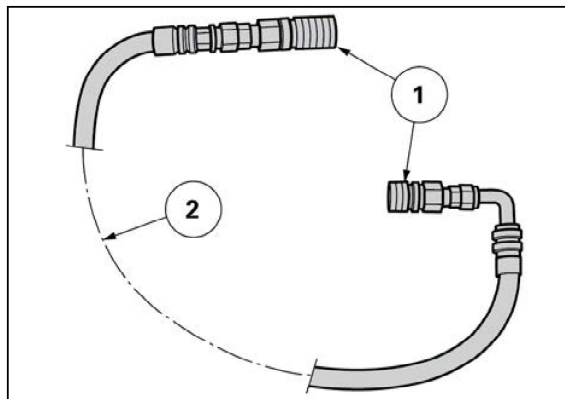


Fig. 6

2. Connect a translucent pipe to each bleed screw and insert the other end into the dipstick aperture, the return housing or a container.
3. Connect the charge hose between the pressure connector and the charge connector.
4. Start the tractor and set the engine speed to 1200 rpm.
5. Depress the coupled pedals 5 times.