

CAN Bus Manual Usage and System Overview

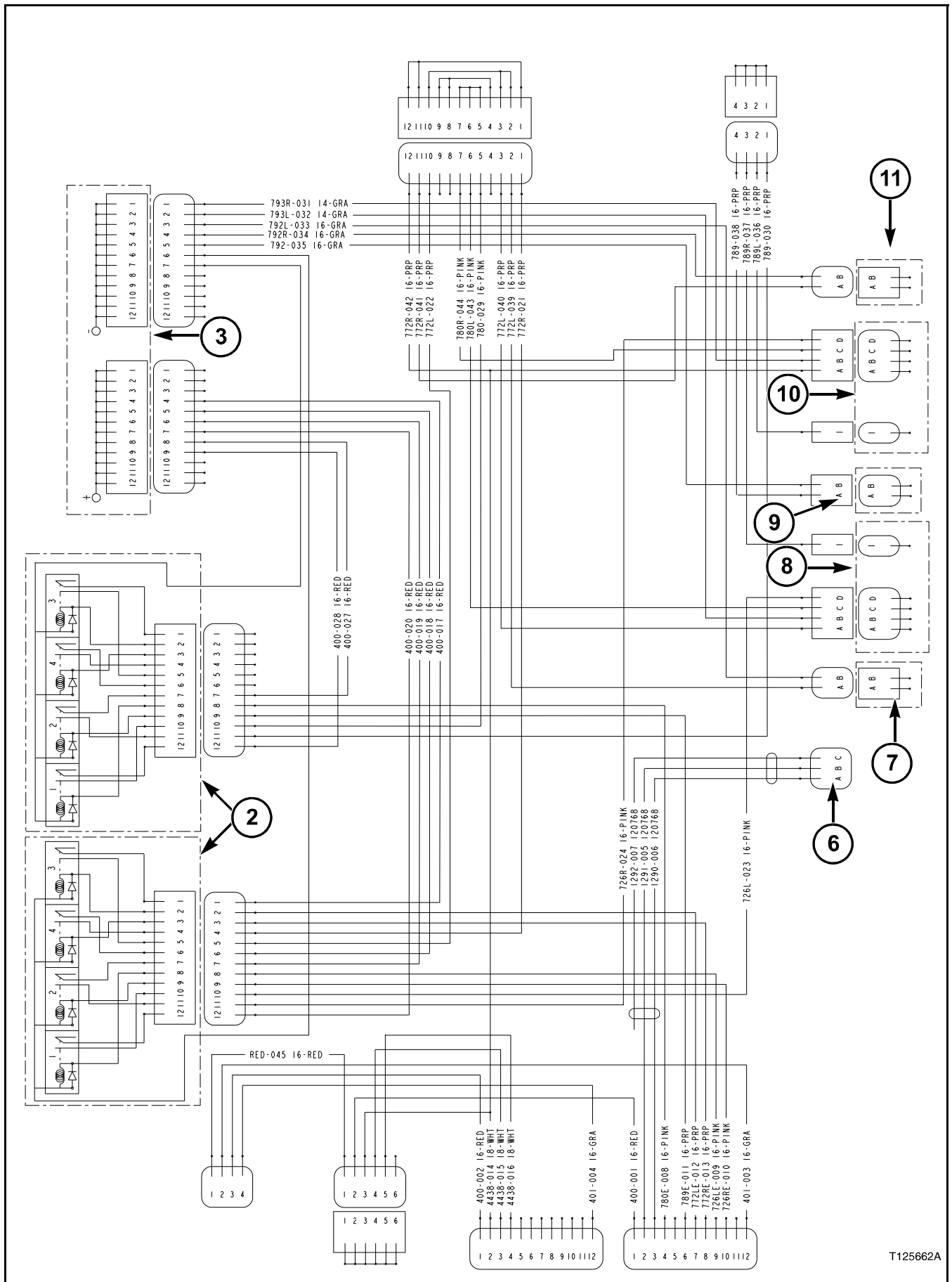


FIG. 47

CAN Bus Manual Usage and System Overview

FIG. 47: Chassis Taillight I/O Module harness schematic

1. Splice packs
2. 4 pk Relay Modules
3. Power Divider Module
4. I/O Module Connections
5. CAN power connection
6. CAN connection
7. LH AFWL connection
8. LH taillight assy. connection
9. Backup alarm
10. RH taillight assy connection
11. RH AFWL connection

LEGEND:

COLOR	CODE	GA.	DESCRIPTION
RED	400	18	12V I/O MODULE
PNK	726RE	16	RH STOP/TURN LT ENABLE
PRP	772RE	16	RH AFWHL ENABLE
PRP	789E	16	REVERSE LIGHT ENABLE
PRP	772LE	16	LH AFWL ENABLE
PNK	780	16	TAILLIGHT SIGNAL
PNK	780	16	TAILLIGHT ENABLE