

BENSON BOOM II REAR BOOM FRAME

FIG. 10: The Benson Boom II rear boom frame has two main components, the two stage boom frame weldment (1) and the pivoting center boom frame weldment (2).

The two stage boom frame weldment mounts directly to the chassis and supports the center boom frame weldment. The two stage boom frame weldment uses two slides controlled by hydraulic cylinders to vary the height of the entire spray boom. The center boom frame weldment mounts to the two stage boom frame weldment with a pivoting hub. The left and right booms mount to the pivoting center boom frame weldment. The rear boom frame may be removed all together or the pivoting center boom frame weldment may be removed without removing the two stage rear boom frame.

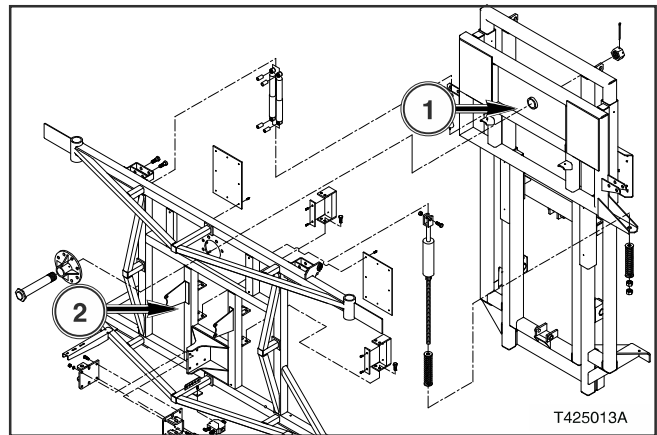


FIG. 10

Remove Complete Rear Boom Frame

Remove the booms from the rear boom frame. Lower the boom hoist cylinders completely.

Mark and remove the hydraulic hoses for the boom fold cylinders. Mark and remove the hoses from the boom leveling cylinders and the boom tilt cylinder. Mark and remove the hoses from the boom hoist cylinders. Remove the racking chains from the bottom of the rear boom frame.



CAUTION: Before removing any airlines or hydraulic hoses, relieve all pressure from the system.

FIG. 11: Mark and remove all the airlines located at the right rear inside frame rail and mark and remove all product plumbing hoses. Mark and remove all wiring.



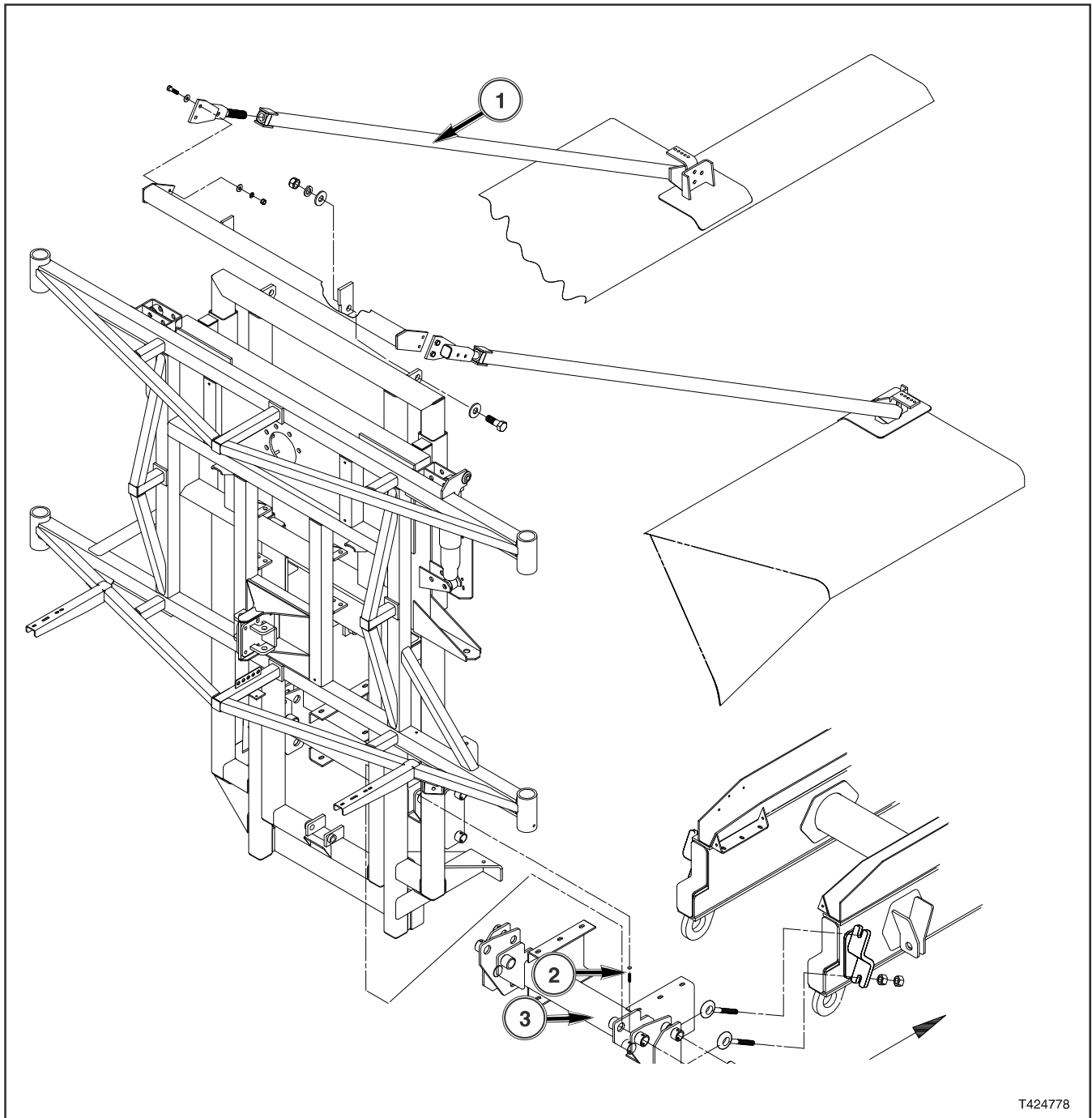
CAUTION: Before removing any airlines or hydraulic hoses, relieve all pressure from the system.



FIG. 11

FIG. 12: Support the rear boom frame with a forklift or an overhead hoist. Remove the support braces (1) that connects the top of the two stage boom frame to the fender. Remove the pin (2) from each side on the bottom that holds the two stage boom frame to the chassis adapter weldment. Remove the complete rear boom frame from the machine.

Remove the Benson Boom chassis adapter weldment (3) from the chassis frame if necessary, by loosening the eye bolts on each side of the chassis frame and removing the bolts that hold the adapter to the tank and saddle.



T424778

FIG. 12