

1.2 Attachment points

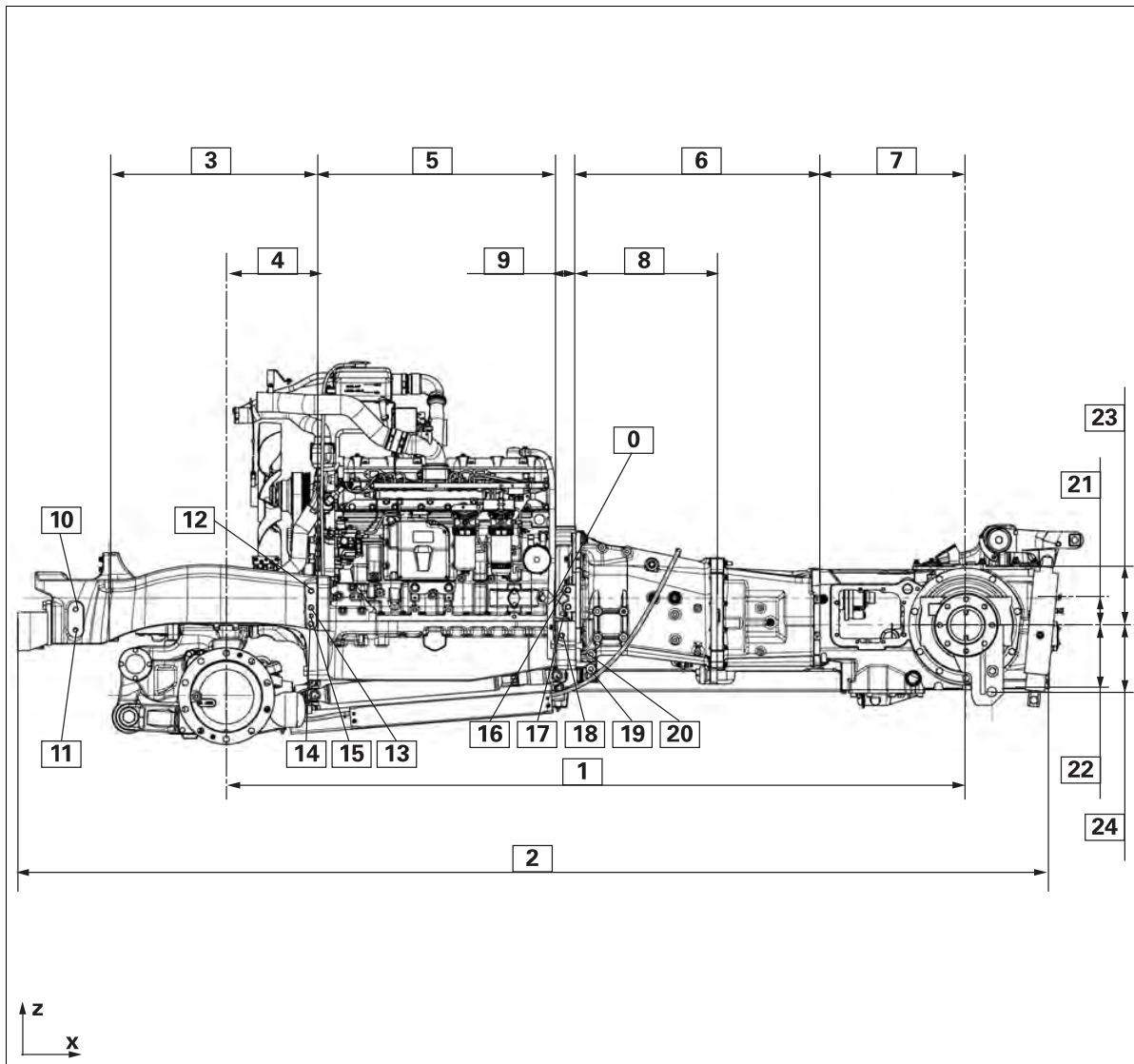


Fig. 2.

1009649

NOTE: Values x, y and z represent reference point 0 of the tractor.

Reference		X	Y	Z
(1)	2873,67 mm (113.2 in)			
(2)	4006,75 mm (157.9 in)			
(3)	810 mm (31.9 in)			
(4)	354,67 mm (14.0 in)			
(5)	922 mm (36.3 in)			
(6)	949 mm (37.4 in)			
(7)	567 mm (22.3 in)			
(8)	549 mm (21.6 in)			
(9)	81 mm (3.2 in)			

Reference		X	Y	Z
(10)	M20	-1861,7 mm (-73.4 in)	-315 mm (-12.4 in)	-45 mm (-1.8 in)
(11)	M20	-1861,7 mm (-73.4 in)	-315 mm (-12.4 in)	-125 mm (-4.9 in)
(12)	M20 x 45	-947 mm (-37.3 in)	-280 mm (-11.03 in)	27,5 mm (1.08 in)
(13)	M20 x 45	-947 mm (-37.31 in)	-280 mm (-11.0 in)	-37,5 mm (-1.5 in)
(14)	M20 x 45	-947 mm (-37.3 in)	-280 mm (-11.0 in)	-102,5 mm (-4.0 in)
(15)	Ø16 mm (0.6 in) x 13 mm (0.5 in)	-947 mm (-37.3 in)	-280 mm (-11.0 in)	-70 mm (-2.8 in)
(16)	M20 x 40	51 mm (2.0 in)	-270 mm (-10.6 in)	30 mm (1.18 in)
(17)	M20 x 40	51 mm (2.01 in)	-270 mm (-10.64 in)	-35 mm (-1.4 in)
(18)	M20 x 45	27 mm (1.1 in)	-270 mm (-10.6 in)	-146,6 mm (-5.8 in)
(19)	M20 x 40	140 mm (5.5 in)	-138 mm (-5.4 in)	-277 mm (-10.9 in)
(20)	M20 x 40	140 mm (5.5 in)	-138 mm (-5.4 in)	-220 mm (-8.7 in)
(21)	106 mm (4.2 in)			
(22)	249 mm (9.8 in)			
(23)	216 mm (8.5 in)			
(24)	<ul style="list-style-type: none"> - Heavy Duty: 260 mm (10.2 in) - Super Heavy Duty: 280 mm (11.0 in) 			