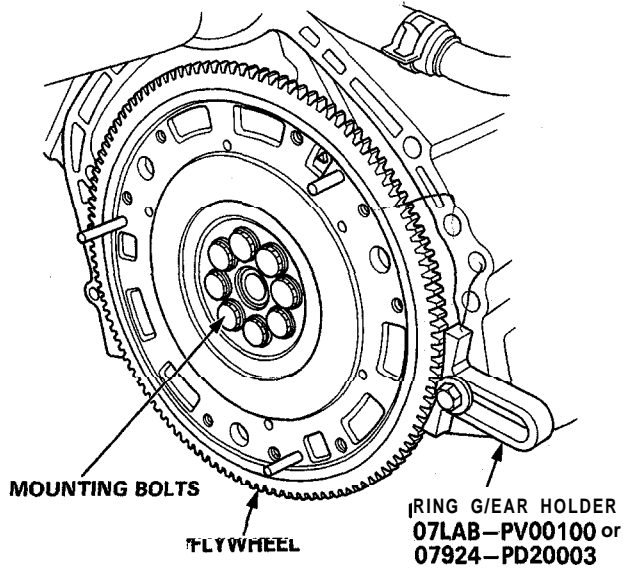


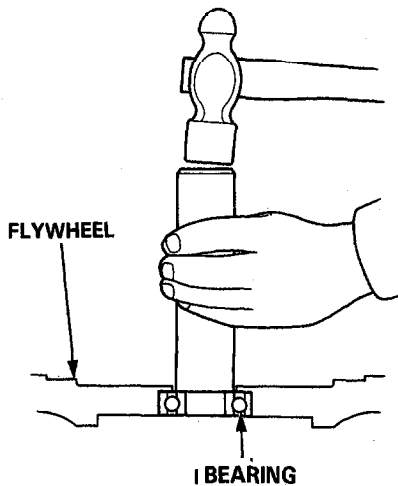


Replacement

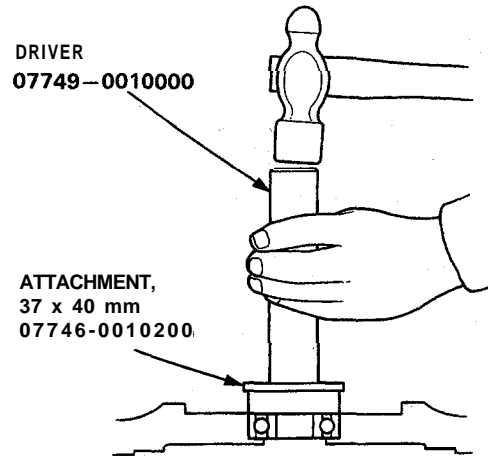
1. Remove the flywheel mounting bolts and the flywheel.



2. Remove the bearing from the flywheel.

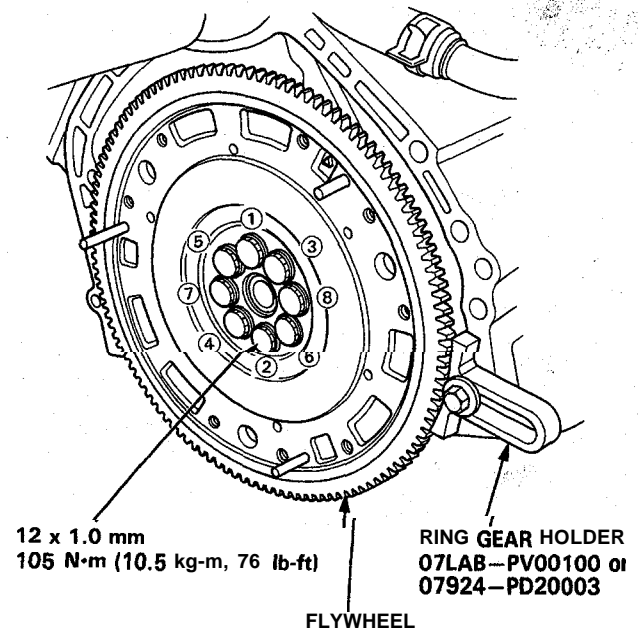


3. Drive in the new bearing into the flywheel using the special tools.



4. Align the hole in the flywheel with the crankshaft dowel pin and install the flywheel. Install the bolts finger tight.

5. Install the special tool, then torque the flywheel bolts in a crisscross pattern, as shown.



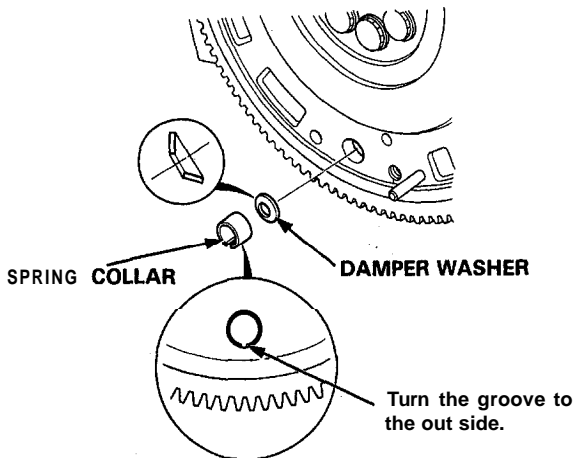
Pressure Plate, Clutch Disc Mid Plate

Installation

NOTE:

- Install the pressure plate, clutch discs and mid plate is a set.
- Do not mix-up the 1st and 2nd clutch discs. The 2nd clutch disc has a flat plate between the two friction surfaces. The 1st clutch disc has a spring plate between the two friction surfaces.

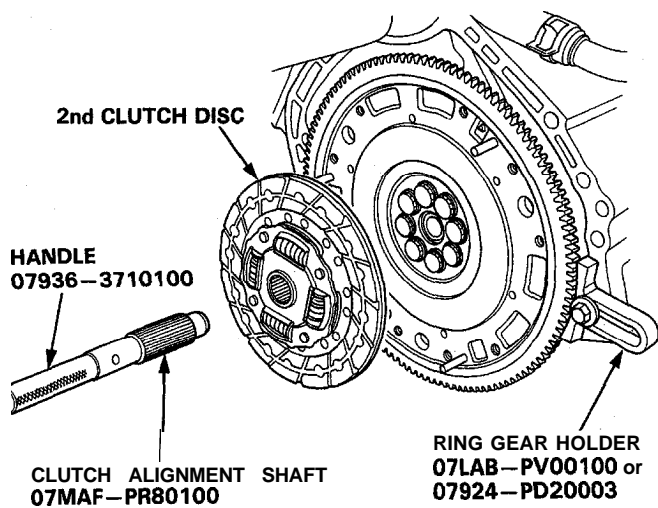
1. Install the damper washer and spring collar.



2. Install the ring gear holder.

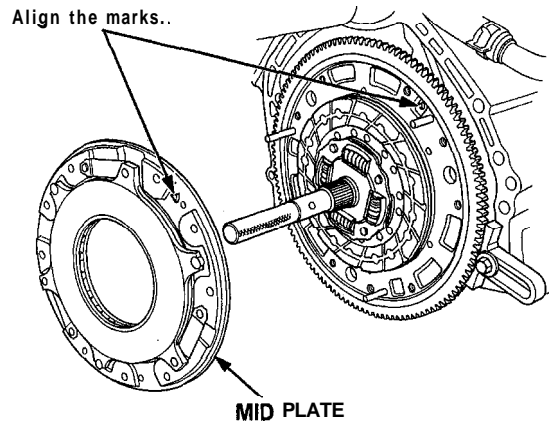
3. Install the 2nd clutch disc.

NOTE: The index mark on the 2nd clutch disc should face away from the flywheel.



4. Install the mid plate.

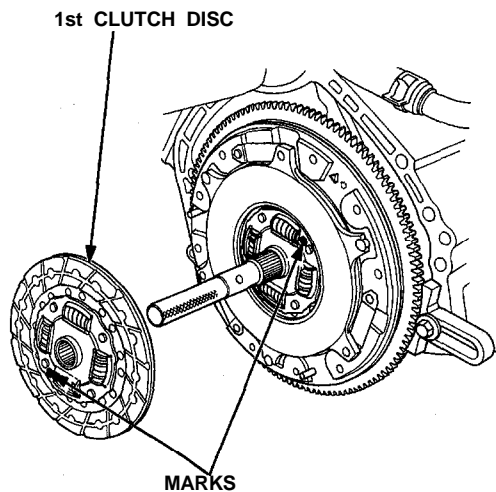
NOTE: Align the mark on the flywheel with the mark on the mid plate.



5. Install the 1st clutch disc.

NOTE:

- The marks on the 1st and 2nd clutch discs should be 180° a part.
- The index mark on the 1st clutch disc should face away from the flywheel.

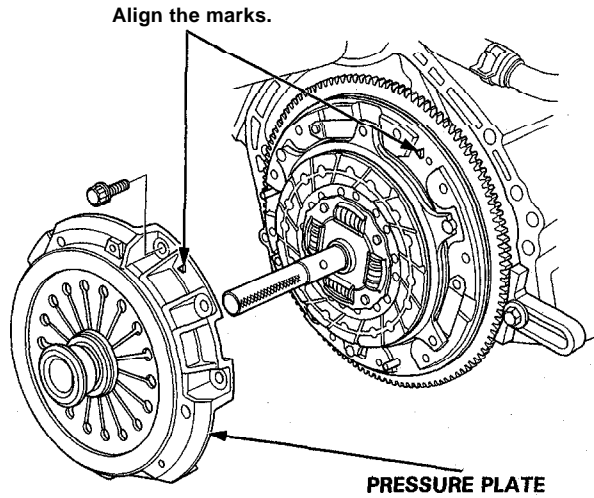




- 6.. Install the release bearing on the pressure plate.
7. Install the pressure plate.

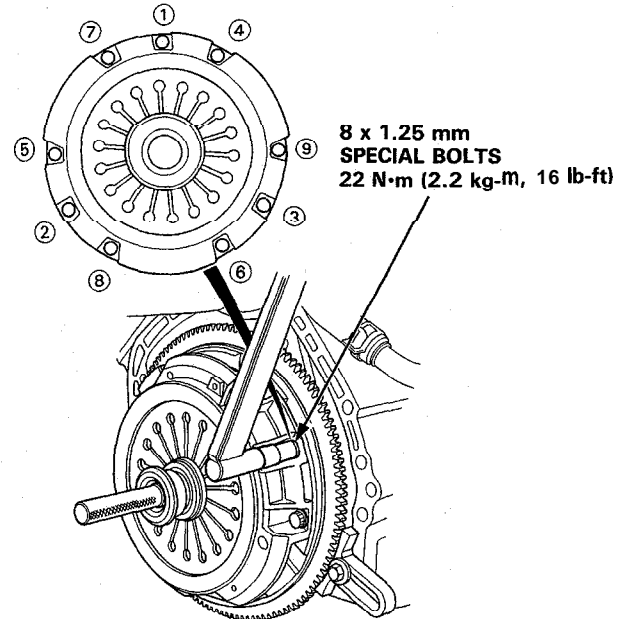
NOTE:

- Align the mark on the mid plate with the mark on the pressure plate.
- After installed, make sure the release bearing no come off.

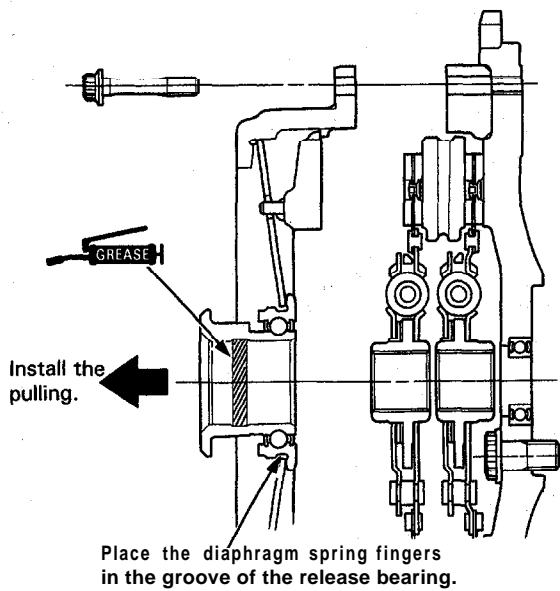


6. Torque the bolts in a crisscross pattern as shown. Tighten them two turns at a time to prevent warping the diaphragm spring.

NOTE: Place the diaphragm spring fingers in the groove of the release bearing.



9. Remove the alignment tool and ring gear holder.
10. Initialize the mid plate guides (See Page 12-16).



Manual Transmission

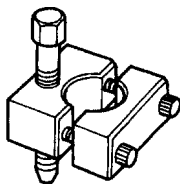
Special Tools	13-2	Mainshaft Assembly	
Maintenance	13-3	Index	13-23
Back-up light Switch, Neutral Switch		Clearance Inspection	13-24
Replacement	13-3	Disassembly	13-25
Gearshift Mechanism		Inspection	13-26
Overhaul	13-4	Reassembly	13-27
Cable Adjustment	13-5	Countershaft Assembly	
Transmission Assembly		index	13-29
Removal	13-6	Clearance inspection	13-30
Illustrated index	13-I 0	Disassembly	13-31
Transmission Housing		Inspection	13-32
Removal	13-I 2	Reassembly	13-33
Reverse Shift Arm, Reverse Shift Fork		Synchro Ring, Gear	
Clearance inspection	13-13	Inspection	13-35
Reverse Idler Gear Shaft Assembly		Synchro Sleeve, Synchro Hub	
Removal	13-14	Inspection	13-36
Disassembly/Reassembly	13-I 5	Installation	13-36
Reverse Shift Fork Assembly		Oil Pump	
Disassembly/Reassembly	13-I 6	Disassembly/Reassembly	13-37
Mainshaft, Countershaft, Differential		Clearance Inspection	13-38
Assemblies		Countershaft Bearing (Clutch Housing)	
Removal	13-I 6	Replacement	13-39
Shift Lever, Select Lever		Mainshaft Oil Seal (Clutch Housing)	
Removal	13-17	Replacement	13-40
Change Holder Assembly		Mainshaft Thrust Shim	
Disassembly/Reassembly	13-I 9	Adjustment	13-41
Change Holder Assembly, Shift Fork		Transmission	
Clearance Inspection	13-20	Reassembly	13-43
Shift Fork, Synchro Sleeve		Transmission Assembly	
Clearance Inspection	13-21	Installation	13-48
Shift Fork Assembly			
Disassembly/Reassembly	13-22		



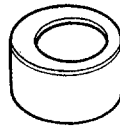
Special Tools

Special Tools

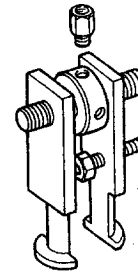
Ref. No.	Tool Number	Description	Q'ty	Page Reference
①	07GAJ-PG20110	Mainshaft Holder	1	13-42
②	07GAJ-PG20130	Mainshaft Base	1	13-42
③	* 07736-A01000A	Adjustable Bearing Puller, 25-40 mm	1	13-39
④	07746-0010400	Attachment, 52 x 55 mm	1	13-40
⑤	07746-0010500	Attachment, 62 x 68 mm	1	13-39
⑥	07746-0030100	Driver 40 mm I.D.	1	13-42
⑦	07746-0030400	Attachment 35 mm I.D.	1	13-42
⑧	07749-0010000	Driver	1	13-39



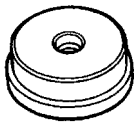
①



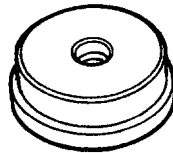
②



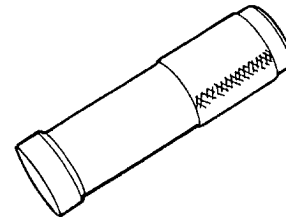
③



④



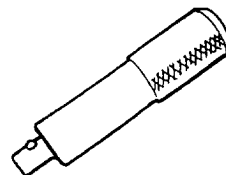
⑤



⑥



⑦



⑧

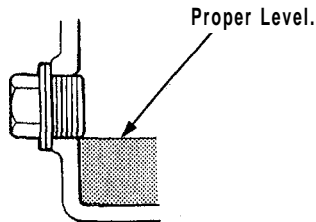
* Must be used with commercially available 3/8 x 1.6 Slide Hammer

Maintenance

Transmission Oil

NOTE: Check with the oil at operating temperature, engine OFF, and the car on level ground.

1. Remove the oil filler plug, then check the level and condition of the oil.



2. The oil level must be up to the fill hole. If it is below the hole, add oil until it runs out, then reinstall the oil filler plug.
3. If the oil is dirty, remove drain plug and drain transmission.
4. Reinstall the drain plug with a new washer, and refill to proper level.
5. Reinstall the oil filler plug with a new washer.

NOTE: The drain plug washer should be replaced at every oil change.

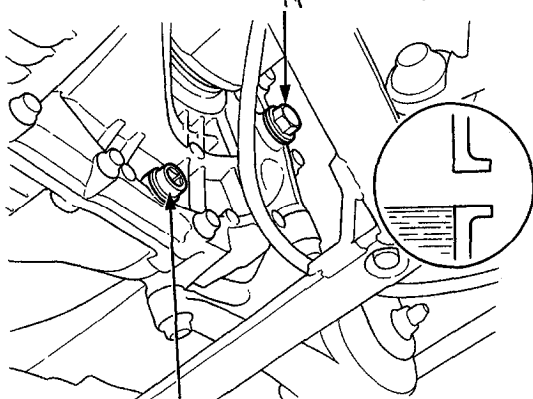
Oil Capacity

2.7 l (2.9 U.S. qt.) after drain.

2.8 l (3.0 U.S. qt.) after overhaul.

Use only SAE1 OW-30 or 1 OW-40, that exceeds SE grade.

OIL FILLER PLUG
45 N·m (4.5 kg-m, 33 lb-ft)



DRAIN PLUG
40 N·m (4.0 kg-m, 29 lb-ft)

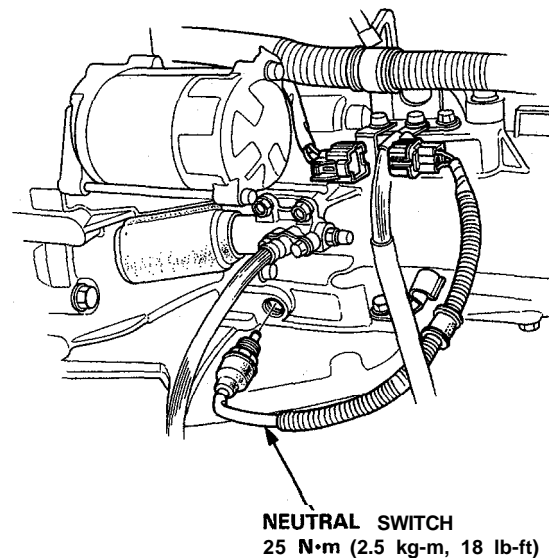
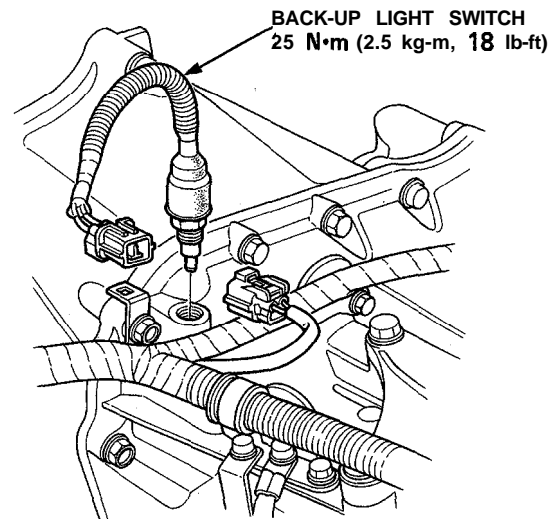
Back-up Light Switch, Neutral Switch



Replacement

NOTE: To check the switch, see section 23.

1. Disconnect the connector, then remove the switch connector from the connector clamp.
2. Remove the switch.
3. Apply liquid gasket (P/N0871 8-550000 OE) to the switch threads, then install the switch.



Gearshift Mechanism

Overhaul

NOTE:

- inspect rubber parts for wear or damage when disassembling.
- Check that the new cotter pin is seated firmly.

