

# INTRODUCTION

## How to Use This Manual

This manual is divided into 23 sections. The first page of each section is marked with a black tab that lines up with its corresponding thumb index tab on this page and the back cover. You can quickly find the first page of each section without looking through a full table of contents. The symbols printed at the top corner of each page can also be used as a quick reference system.


Each section includes:

1. A table of contents, or an exploded view index showing:
  - Parts disassembly sequence.
  - Bolt torques and thread sizes.
  - Page references to descriptions in text.
2. Disassembly/assembly procedures and tools.
3. Inspection.
4. Testing/troubleshooting.
5. Repair.
6. Adjustments.

## Safety Messages

Your safety, and the safety of others, is very important. To help you make informed decisions, we have provided safety messages, and other safety information throughout this manual. Of course, it is not practical or possible to warn you about all the hazards associated with servicing this vehicle. You must use your own good judgment.

You will find important safety information in a variety of forms including:

- **Safety Labels** — on the vehicle.
- **Safety Messages** — preceded by a safety alert symbol  and one of three signal words, DANGER, WARNING, or CAUTION. These signal words mean:

**▲ DANGER** You WILL be KILLED or SERIOUSLY HURT if you don't follow instructions.

**▲ WARNING** You CAN be KILLED or SERIOUSLY HURT if you don't follow instructions.

**▲ CAUTION** You CAN be HURT if you don't follow instructions.

- **Instructions** — how to service this vehicle correctly and safely.

All information contained in this manual is based on the latest product information available at the time of printing. We reserve the right to make changes at anytime without notice. No part of this publication may be reproduced, or stored in a retrieval system, or transmitted, in any form by any means, electronic, mechanical, photocopying, recording, or otherwise, without the prior written permission of the publisher. This includes text, figures, and tables.

As you read this manual, you will find information that is preceded by a **NOTICE** symbol. The purpose of this message is to help prevent damage to your vehicle, other property, or the environment.

First Edition 09/2003 2,176 pages

All Rights Reserved

Specifications apply to U.S.A. and Canada

HONDA MOTOR CO.,LTD.

Service Publication Office

As sections with \* include SRS components; special precautions are required when servicing.

General Info



Specifications

specs

Maintenance



Engine Electrical



Engine



Cooling



Fuel and Emissions



\*Transaxle



\*Steering



Suspension



\*Brakes  
(Including VSA)



\*Body



\*Heating, Ventilation  
and Air Conditioning



\*Body Electrical



\*Restraints



## **SUPPLEMENTAL RESTRAINT SYSTEM (SRS)**

The Acura TL SRS includes a driver's airbag in the steering wheel hub, a passenger's airbag in the dashboard above the glove box, seat belt tensioners in the front seat belt retractors, side curtain airbags in the sides of the roof, and side airbags in the front seat-backs. Information necessary to safely service the SRS is included in this Service Manual. Items marked with an asterisk ( \* ) on the contents page include or are located near SRS components. Servicing, disassembling, or replacing these items requires special precautions and tools, and should be done only by an authorized Acura dealer.

- To avoid rendering the SRS inoperative, which could lead to personal injury or death in the event of a severe frontal collision, all SRS service work must be performed by an authorized Acura dealer.
- Improper service procedures, including incorrect removal and installation of the SRS, could lead to personal injury caused by unintentional deployment of the airbags and/or side airbags.
- Do not bump or impact the SRS unit, front impact sensors, side impact sensors whenever the ignition switch is ON (II), or for at least 3 minutes after the ignition switch is turned OFF. Otherwise, the system may fail in a collision, or airbags may deploy.
- SRS electrical connectors are identified by yellow color coding. Related components are located in the steering column, front console, dashboard, dashboard lower panel, in the dashboard above the glove box, in the front seats, in the roof side, and around the floor. Do not use electrical test equipment on these circuits.



## **General Information**

<b>Chassis and Paint Codes .....</b>	<b>1-2</b>
<b>Identification Number Locations .....</b>	<b>1-3</b>
<b>Warning/Caution Label Locations .....</b>	<b>1-4</b>
<b>Under-hood Emission Control Label .....</b>	<b>1-6</b>
<b>Lift and Support Points .....</b>	<b>1-7</b>
<b>Towing .....</b>	<b>1-8</b>
<b>Parts Marking .....</b>	<b>1-10</b>

# General Information

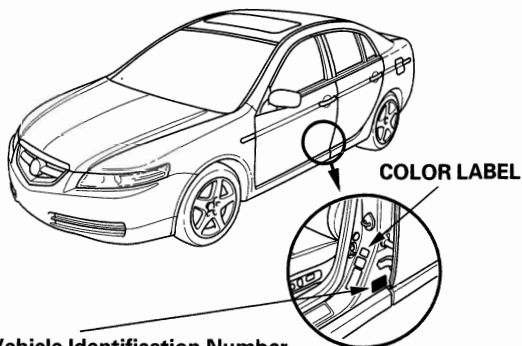
## Chassis and Paint Codes

### Vehicle Identification Number

19U UA6 5 5 \* 4 A 000001



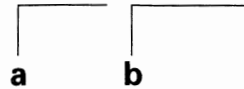
- a. Manufacturer, Make and Type of Vehicle**  
19U: HONDA OF AMERICA MFG., INC. U.S.A.  
ACURA passenger vehicle
- b. Line, Body and Engine Type**  
UA6: ACURA TL/J32A3
- c. Body Type and Transmission Type**  
5: 4-door Sedan/6-speed Manual  
6: 4-door Sedan/5-speed Automatic
- d. Vehicle Grade (Series)**  
2: TL with 5-speed A/T  
5: TL with 6-speed M/T  
6: TL with 6-speed M/T and Hi-performance summer tire
- e. Check Digit**
- f. Model Year**  
4: 2004
- g. Factory Code**  
A: Marysville, Ohio Factory in U.S.A.
- h. Serial Number**  
000001 —: U.S. model  
800001 —: Canada model



Vehicle Identification Number and Federal Motor Vehicle Safety Standard Certification.  
Vehicle Identification Number and Canadian Motor Vehicle Safety Standard Certification.

### Engine Number

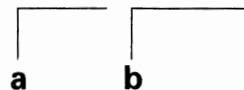
J32A3 - 1000001



- a. Engine Type**  
J32A3: 3.2-liter SOHC VTEC Sequential Multiport Fuel-injected engine
- b. Serial Number**

### Transmission Number

DEC6 - 1500001



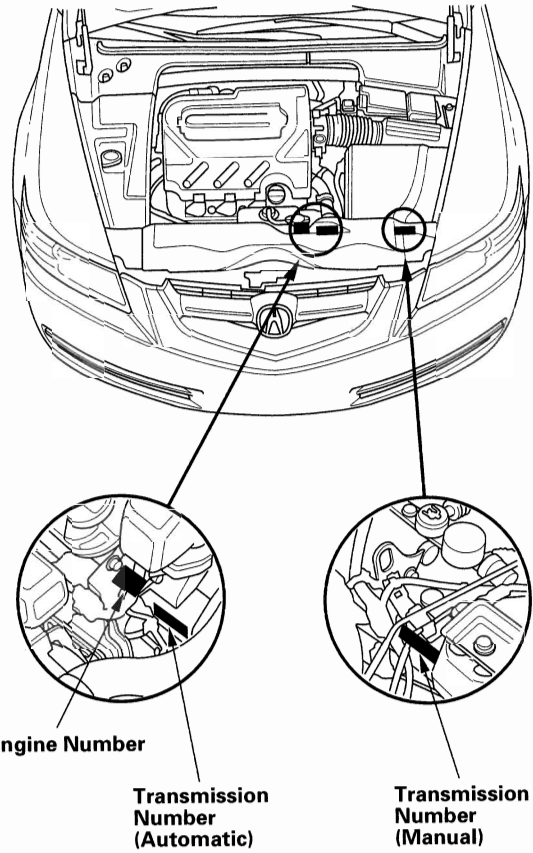
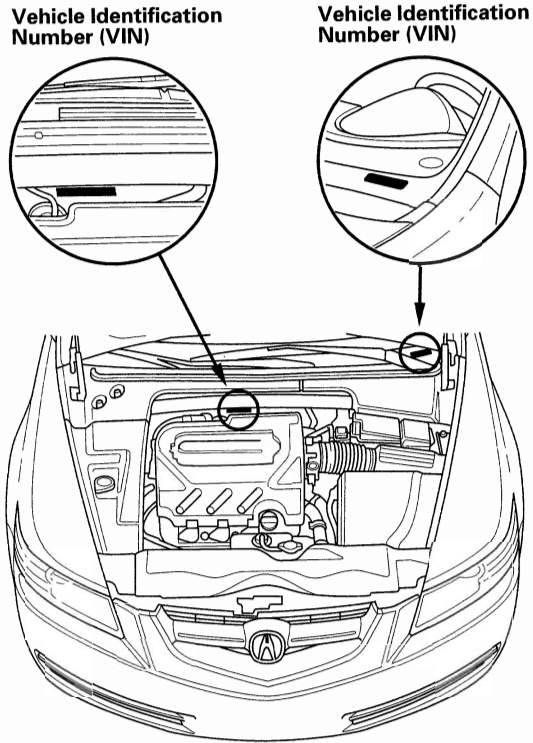
- a. Transmission Type**  
DEC6: 6-speed Manual  
BDGA: 5-speed Automatic
- b. Serial Number**

### Paint Code

Code	Color	U.S.	Canada
NH-603P	White Diamond Pearl	○	○
NH-623M	Satin Silver Metallic	○	○
NH-643M	Anthracite Metallic	○	○
B-92PV	Nighthawk Black Pearl	○	○
B-527P	Abyss Blue Pearl	○	○
G-516P	Deep Green Pearl	○	
R-522P	Redondo Red Pearl	○	○
YR-538M	Desert Mist Metallic	○	○



## Identification Number Locations

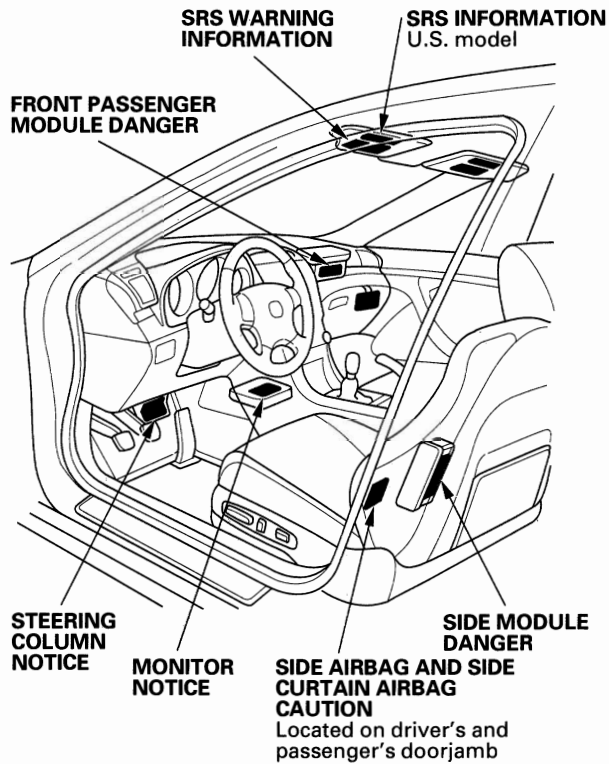


# General Information

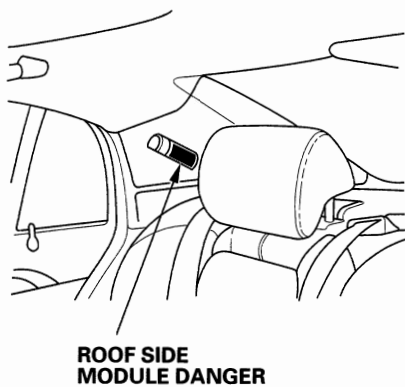
## Warning/Caution Label Locations

NOTE: FRONT PASSENGER (CHILD SEAT) AIRBAG WARNING TAG is on the glove box in the U.S. model.

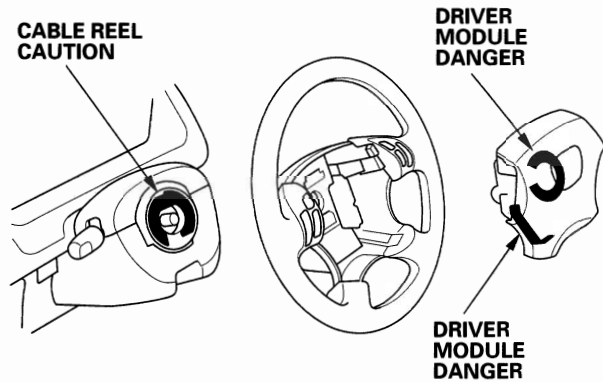
### Front Passenger's Compartment:

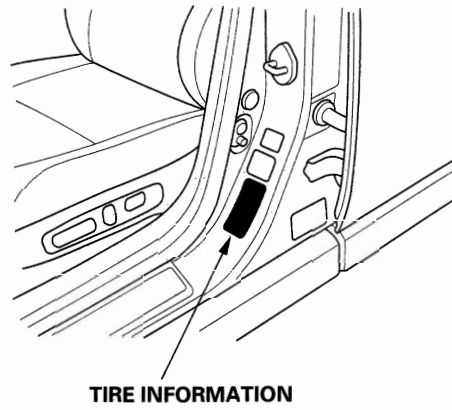
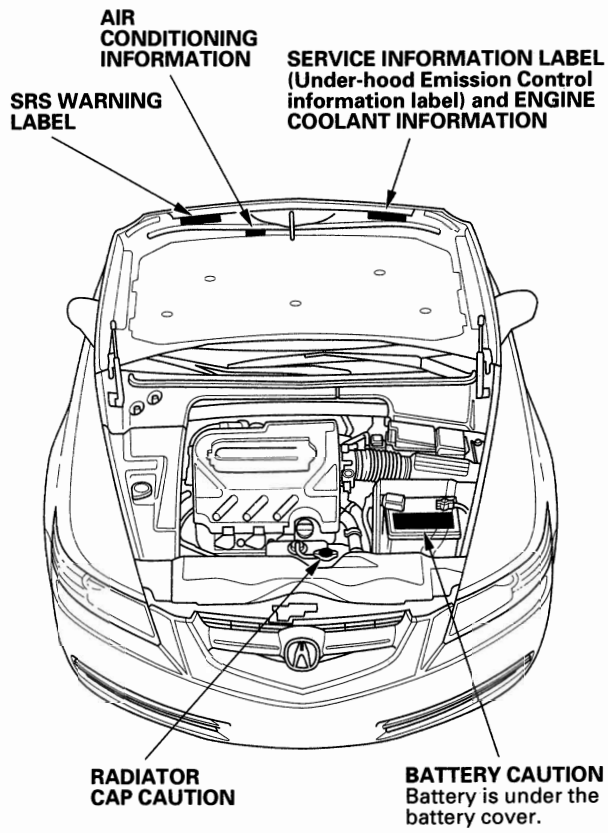


### Rear Passenger's Compartment:



### Steering Wheel:



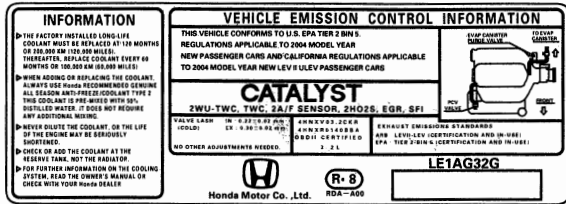


# General Information

## Under-hood Emission Control Label

### Emission Group Identification

Example:



THIS VEHICLE CONFORMS TO U.S. EPA TIER 2 BIN 5. REGULATIONS APPLICABLE TO 2004 MODEL YEAR NEW PASSENGER CARS AND CALIFORNIA REGULATIONS APPLICABLE TO 2004 MODEL YEAR NEW LEV II ULEV PASSENGER CARS.

### Engine and Evaporative Families:

Engine Family:

4 HNX V 03.2 CKR  
 a b c d e

- a. Model Year  
4: 2004
- b. Manufacturer Subcode  
HNX: HONDA
- c. Family Type  
V: LDV
- d. Displacement
- e. Sequence Characters

Evaporative Family:

4 HNX R 0140 BBA  
 a b c d e

- a. Model Year  
4: 2004
- b. Manufacturer Subcode  
HNX: HONDA
- c. Family Type  
R: EVAP/ORVR
- d. Canister Work Capacity
- e. Sequence Characters