

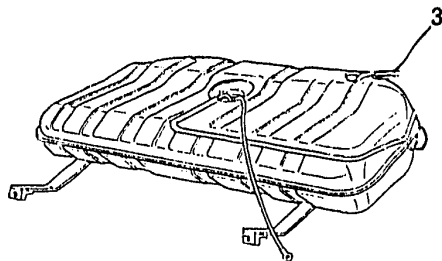
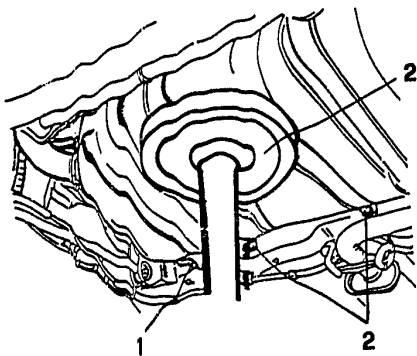


04 - 16

FUEL SUPPLY SYSTEM

FUEL TANK COMPLETE ASSY

Removal - Installation (continued)



PB016R201

1. **Unscrew and remove the screw** fixing the ground cable to the car body.
2. **Uphold the fuel tank by means of a column-type jack and unscrew the two screws** of the straps securing the fuel tank to the car body.
 - **Slightly lower the column-type jack.**

3. **Detach the fuel excess return pipe.**
 - **If necessary, remove the fuel supply piping by unloosing the connecting clamps and releasing the pipes from the holding clamps.**

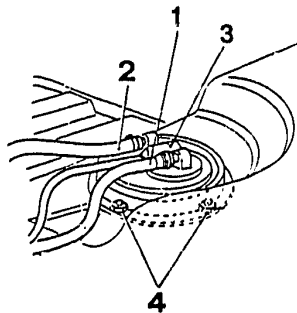
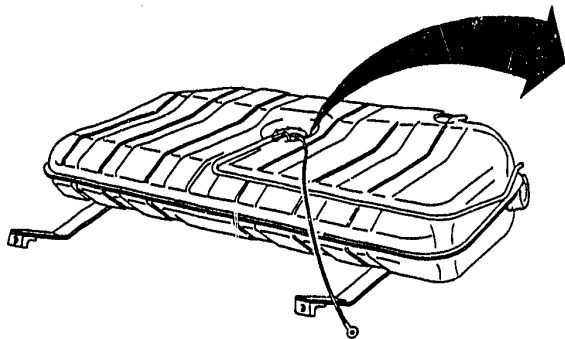


04 - 17

FUEL SUPPLY SYSTEM

FUEL TANK COMPLETE ASSY (Continued)

Disassembly - Assembly



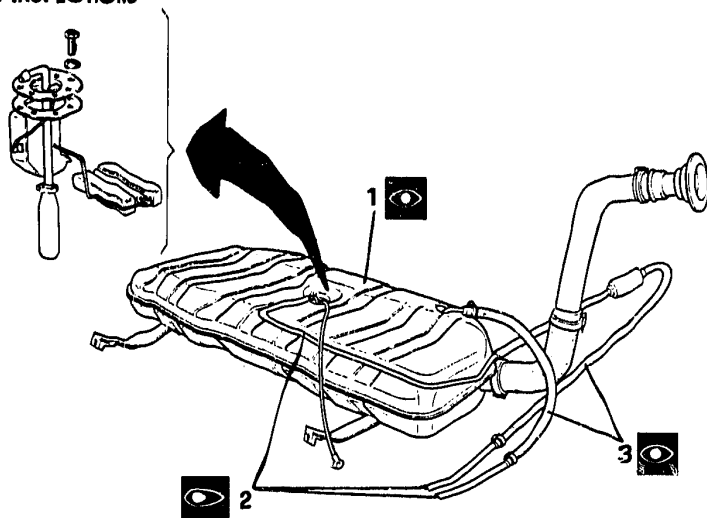
P8028G201

1. Disconnect the fuel delivery pipe from the filler neck on the float.
2. Disconnect the fuel return pipe from the filler neck on the float.

3. Disconnect the electrical wiring from the float.
4. Unscrew the six screws securing the float to the tank, then remove the float with its gasket.
 - When reassembling, replace the gasket with a new one.



FUEL SUPPLY CIRCUIT (continued) CHECKS AND INSPECTIONS



PA018R201

1. Check the fuel tank for integrity.
2. Check that the tubes are not oxidized, clogged or dented.

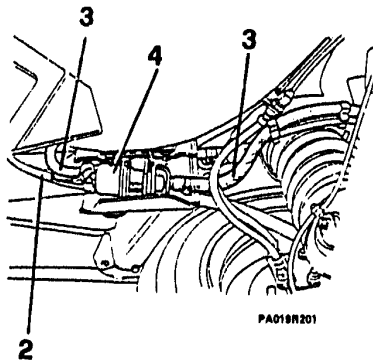
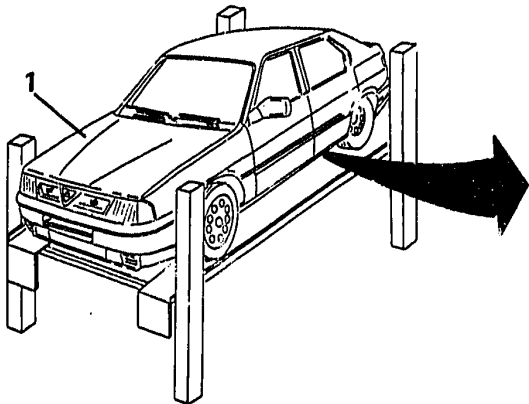
3. Check that the hoses are not porous and show no signs of wear or cracks.



FUEL SUPPLY CIRCUIT (continued)

FUEL PUMP

Removal - Installation



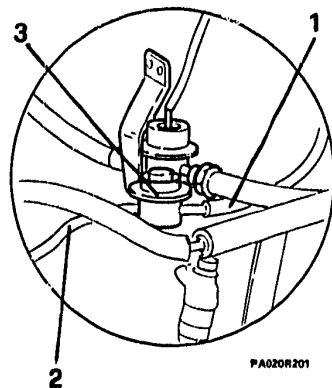
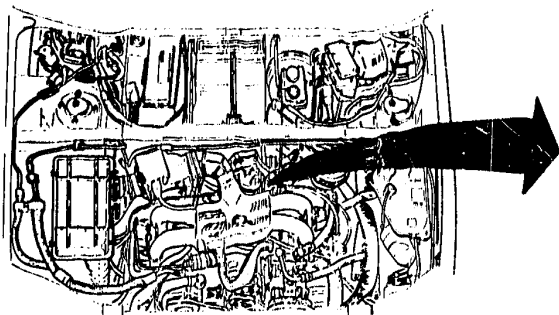
1. Place the vehicle on a lift platform and disconnect the battery negative cable.
2. By operating under the vehicle, disconnect the supply hoses from the fuel pump.
3. Using pliers, squeeze the fuel inlet and outlet pipes, then disconnect them after unloosening the relevant clamps.
4. Unloose the clamp and remove the pump.



FUEL SUPPLY CIRCUIT (continued)

PULSE DAMPER

Removal - Installation



PA020R201

1. Unloose the clamp and disconnect the fuel inlet pipe from the pulse damper.
2. Unloose the clamp and disconnect the outlet pipe from the pulse damper.

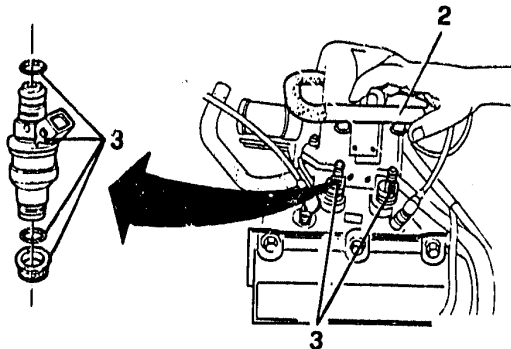
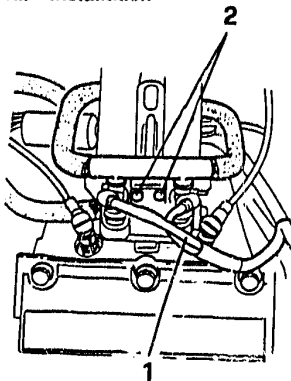
3. Unscrew the fixing nut and remove the pulse damper from the supporting bracket.



FUEL SUPPLY CIRCUIT (continued)

ELECTROINJECTORS

Removal - installation



PB021R201

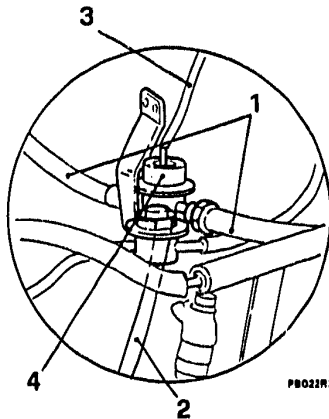
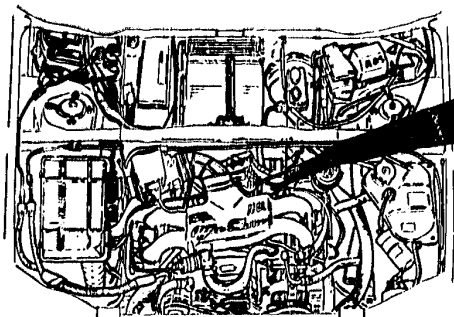
- Disconnect the battery negative cable.
- 1. Unplug the power supply connectors from the electroinjectors.
- 2. Unscrew the fixing screws and lift the fuel distributor manifold, after having released it from the electroinjectors.
- 3. Remove the electroinjectors complete with O-rings and gaskets.
- When re-assembling, replace the O-rings and gaskets.



FUEL SUPPLY CIRCUIT (continued)

PRESSURE REGULATOR

Removal - Installation



PRO21R201



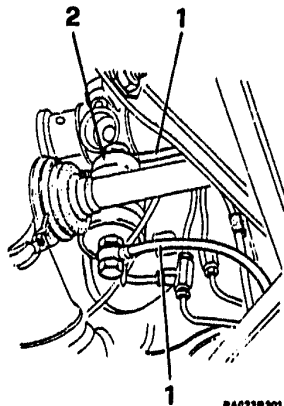
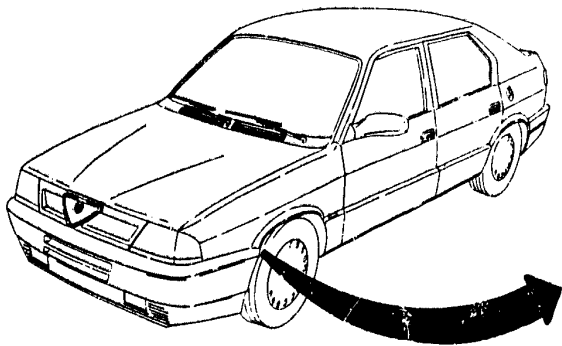
Operate with caution: the fuel supply circuit could be under pressure.

1. Detach the two unions connecting the fuel distributor manifold to the pressure regulator.

2. Disconnect the excess fuel return pipe.
3. Disconnect the vacuum intake hose from the regulator.
4. Unscrew the fixing nut and remove the pressure regulator.



FUEL SUPPLY CIRCUIT (continued) FUEL FILTER REPLACEMENT



PA023R201

1. Unscrew the connections of the fuel inlet and outlet hoses and recover the gaskets.



Suitably plug the unions to prevent fuel leak-ages.

2. Unloose the clamp and remove the filter.



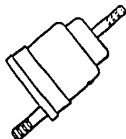
Install a new filter, paying attention that the arrow engraved on the filter body is pointed in the fuel delivery direction.

- Complete the fuel filter assembly by reversing the order of the removal operations.

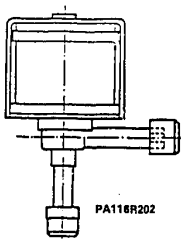


04 - c

FUEL SUPPLY SYSTEM



PA116R201



PA116R202

16 VALVE ELECTRONIC INJECTION ENGINE

FUEL VAPOUR EMISSION CONTROL SYSTEM

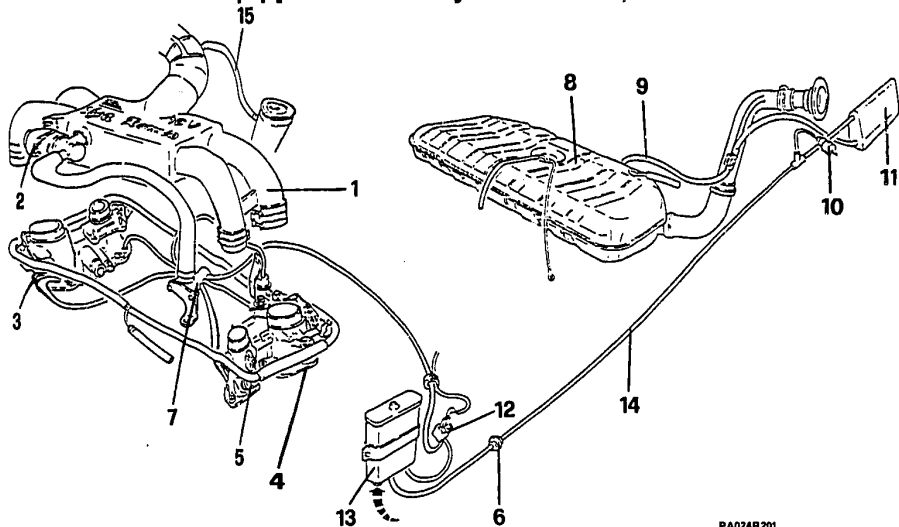
FUEL VAPOUR EMISSION CONTROL SYSTEM

**(Specific for
vehicles equipped with
catalytic converter)**

DESCRIPTION	04 - 24
FUEL VAPOUR SEPARATOR	04 - 26
Removal - Installation	04 - 28
COMPENSATING VALVE	04 - 28
Removal - Installation	04 - 29
SOLENOID VALVE	04 - 29
Removal - Installation	04 - 30
CARBON CANISTER	04 - 30
Removal - Installation	04 - 31



FUEL VAPOUR EMISSION CONTROL SYSTEM (Specific for vehicles equipped with catalytic converter)



- 1 Air intake box
- 2 Constant idle speed actuator.
- 3 Throttle valve min. and max. opening switch
- 4 Left fuel supply manifold

- 5 Electroinjector
- 6 Check valve
- 7 Multiple union for idle speed air intake
- 8 Fuel tank

PA024R201



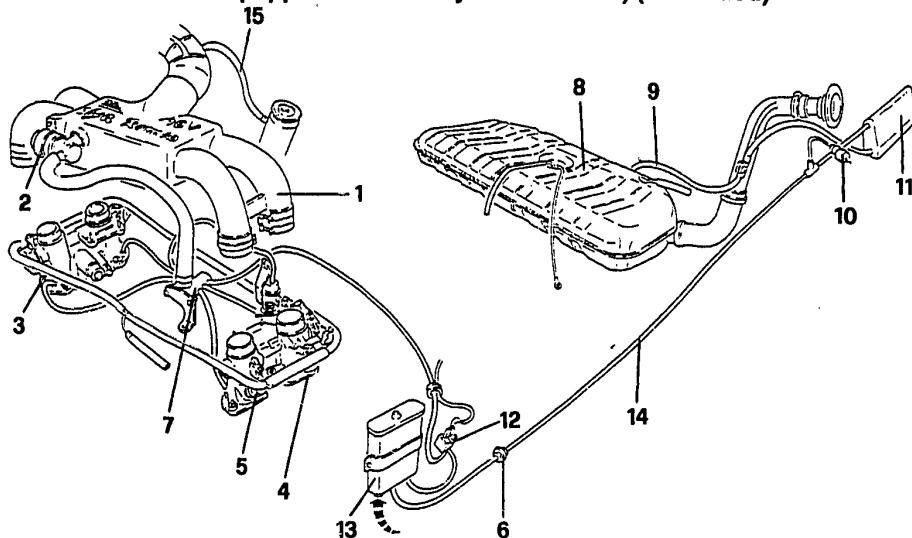


04 - 25

FUEL SUPPLY SYSTEM

FUEL VAPOUR EMISSION CONTROL SYSTEM

(Specific for vehicles equipped with catalytic converter) (continued)



PA024R201

- 9 Fuel vapour pipe
- 10 Compensating valve
- 11 Fuel vapour separator
- 12 Solenoid valve

- 13 Carbon canister
- 14 Fuel vapour recycling pipe
- 15 Oil vapour blow-by pipe