

Fitting body covers

Special tools and workshop equipment required

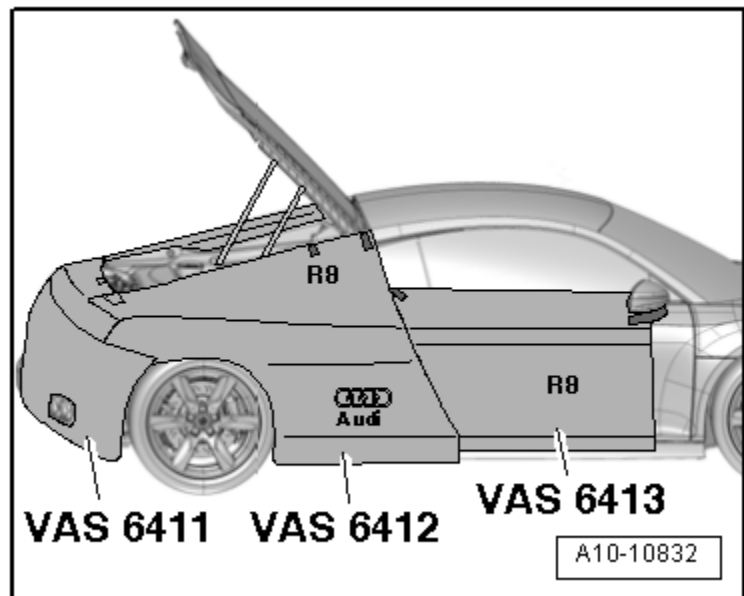
- ◆ Rear end protector, Audi R8 -VAS 6411-
- ◆ Side panel protector, Audi R8 -VAS 6412-
- ◆ Side panel protector, Audi R8 -VAS 6412- or
- ◆ Side panel protector, Audi R8 Spyder -VAS 6428-

Procedure

- Wash and dry off relevant parts of body.

R8 Coupé:

- Fit Audi R8 side panel protectors -VAS 6412- on side panels (rear left and right).
- Fit Audi R8 rear end protector -VAS 6411 - so that ends overlap with side panel protectors.



R8 Spyder:

- Fit side panel protector, Audi R8 Spyder -VAS 6428- on side panels (rear left and right).
- Fit Audi R8 rear end protector -VAS 6411 - so that ends overlap with side panel protectors.



Note

The Audi R8 door protectors -VAS 6413- are not required when working on the engine compartment.

