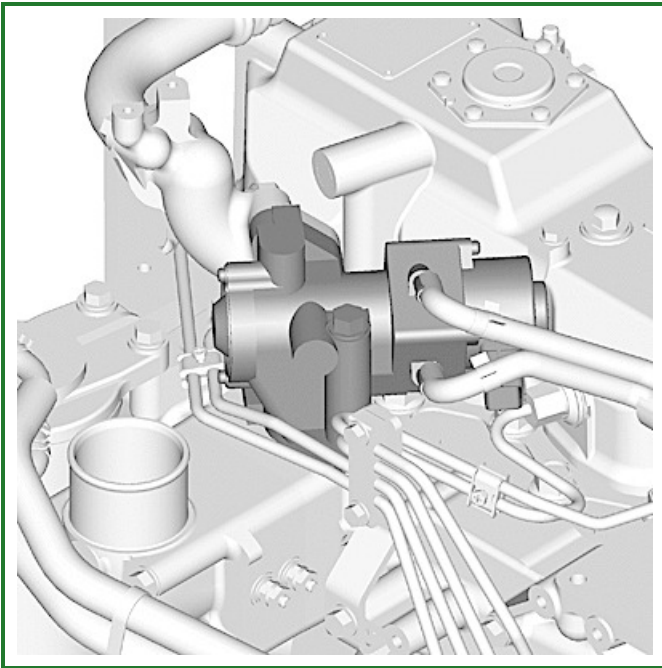


RG23650-UN: EGR Valve Actuator Location Overview



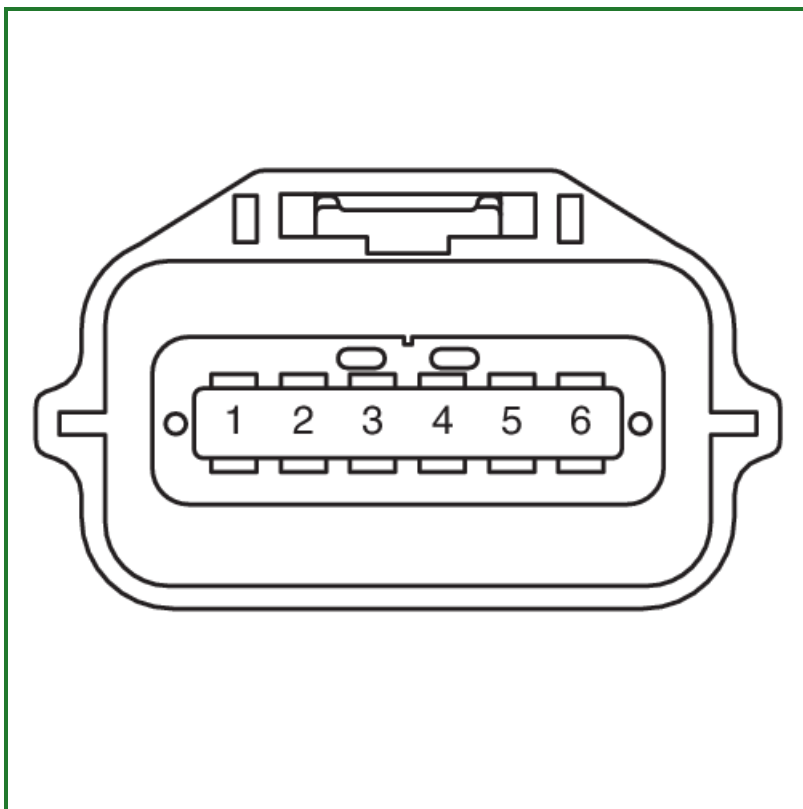
RG23651-UN: Y5400

For additional EGR valve actuator information, see [EGR Valve Operation](#) in Section 03, Group 135.

Go to [Section_03:Group_140](#)

RK80614,0000204-19-20130718

Y5403 — Fuel Injection Pump Rack Actuator



RG23515-UN: 6-Pin Connector

-: Connector Information

Pin	Description	ECU Pin
1	Rack Actuator Solenoid Drive (+)	See the Application Technical Manual
2	Rack Actuator Solenoid Drive (-)	M4
3	NA	NA
4	Rack Actuator Position Sensor Signal	F1
5	12 Volt Sensor Supply (+)	L3
6	Sensor Return	H2