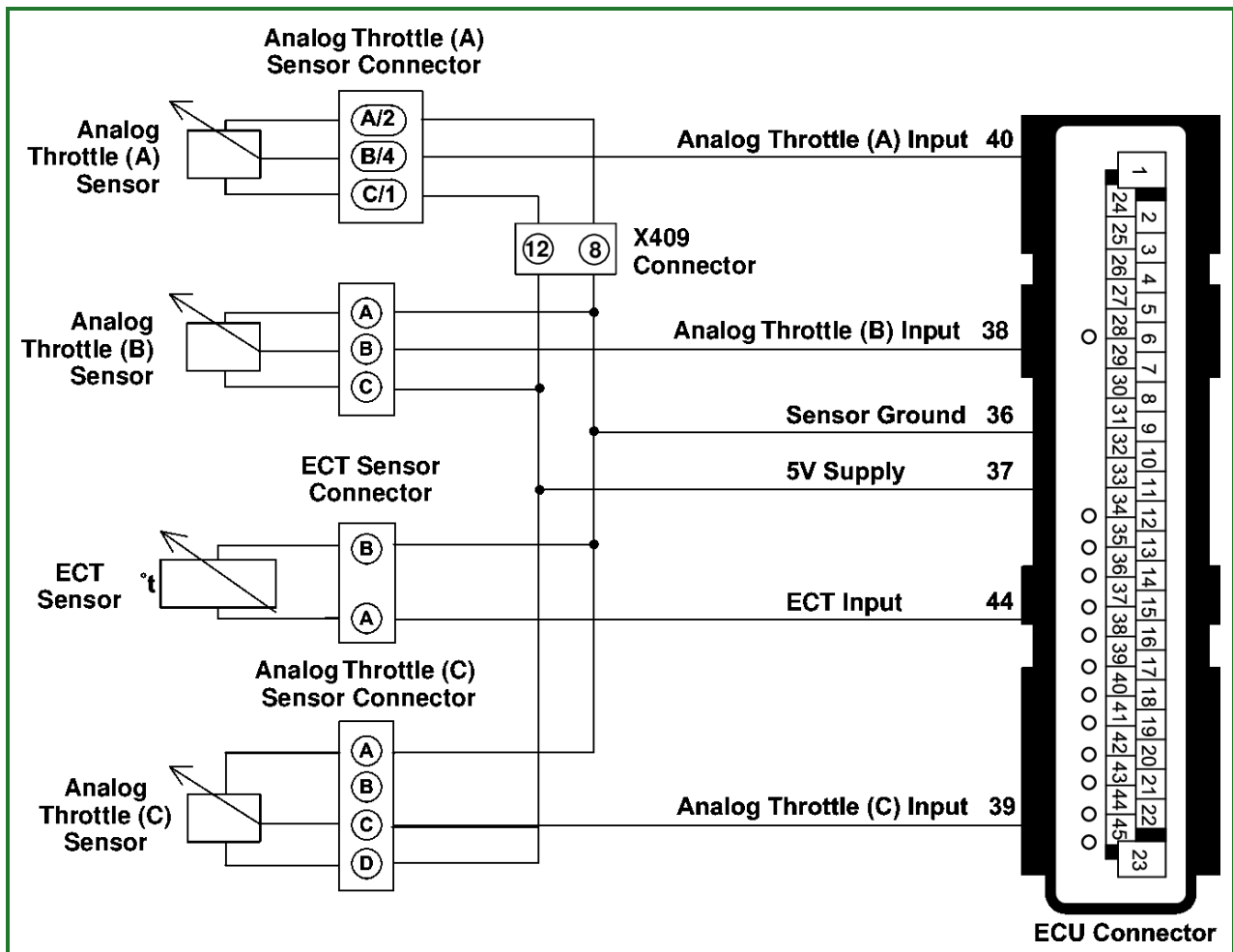


001079.03 — Sensor Supply Voltage High



RG11829-19: Sensor Supply Wiring

NOTE:

Wiring diagram shows 6020 and 7020 Series Tractors. For wiring information on 6010 Tractors, see *ELECTRONIC CONTROL SYSTEM WIRING DIAGRAM FOR 6010 SERIES TRACTORS* in Section 06, Group 210 of this manual. For wiring information on other applications, refer to machine manual.

Sensor Supply Voltage

- The ECU supplies voltage to a few different sensors depending on the application. The ECU monitors the drop in voltage that the sensor causes and compares that drop to preprogrammed values in the ECU's memory to determine the value of the parameter the sensor was measuring. In addition, the ECU monitors the exact voltage on the 5 volt supply circuit in order to ensure accurate readings.

DTC 001079.03 will set if:

- The ECU detects a voltage that is higher than 5.5 volts on the ECU 5 volt sensor supply circuit.

If DTC 001079.03 sets, the following will occur:

- The ECU will use default values for the sensors that use sensor supply input voltage.

