

Illustration 7

g01352794

! WARNING

Personal injury can result from being struck by parts propelled by a released spring force.

Make sure to wear all necessary protective equipment.

Follow the recommended procedure and use all recommended tooling to release the spring force.

9. Remove pin (15) and spacer (16) in order to disconnect right gas spring (14).

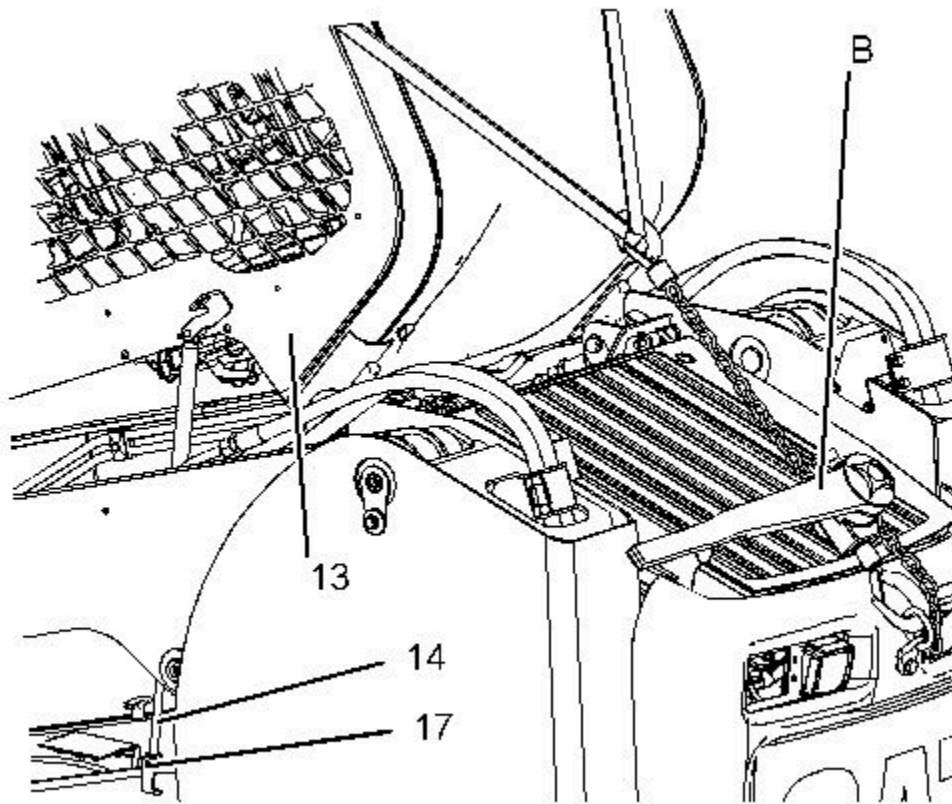


Illustration 8

g01352840

! WARNING

Personal injury can result from being struck by parts propelled by a released spring force.

Make sure to wear all necessary protective equipment.

Follow the recommended procedure and use all recommended tooling to release the spring force.

10. Use Tooling (B) in order to raise cab (13) enough to fully extend left gas spring (14) .
11. Remove pin (17) in order to disconnect gas spring (14) .
12. Use Tooling (B) and the suitable lifting device in order to lower cab (12). Remove Tooling (B) .



Illustration 9

g01352895

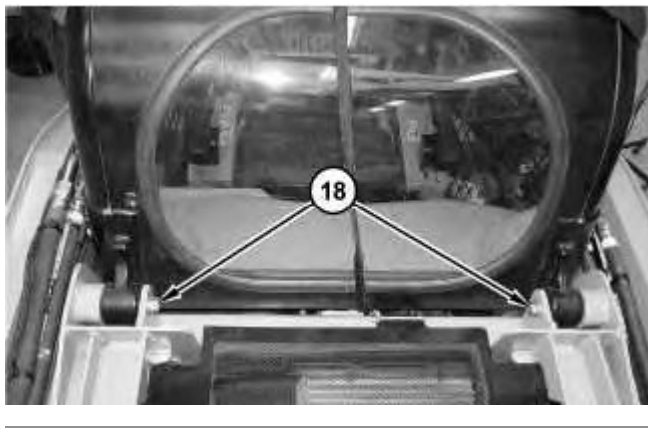


Illustration 10

g01352896

13. Reposition Tooling (A) and the suitable lifting device to cab (13). The weight of cab (13) is approximately 290 kg (640 lb).