

Seat Belt Stop Button

Procedure

1

1. Work the male half of the stop button through the hole in the webbing or at the marked location.
2. Align the female half of the stop button with the male half of the stop button.
3. Snap the two halves together.
4. Trim off any excess of the male half of the stop button flush with the female half of the stop button.

TIP: Ensure the male half of the stop button is facing forward in the vehicle in order to ensure the stop button will not snag customers clothing.

FRONT SEAT BELT BUCKLE REPLACEMENT

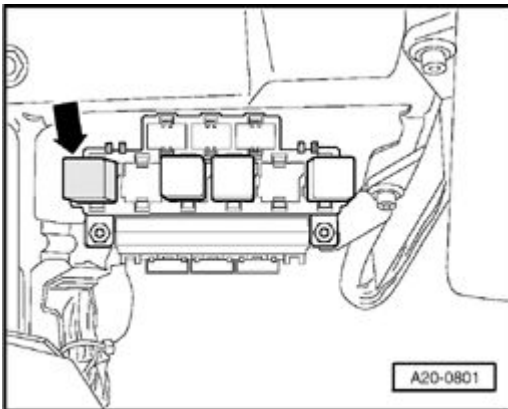


Fig. 3: Front Seat Belt Buckle & Fastener
 Courtesy of GENERAL MOTORS COMPANY

Front Seat Belt Buckle Replacement

Callout	Component Name
Preliminary Procedure	
Remove the driver or passenger seat. Refer to Driver or Passenger Seat Removal and Installation .	
1	Front Seat Belt Buckle Fastener CAUTION: Refer to <u>Fastener Caution</u> . Tighten 40 N.m (30 lb ft)
	Front Seat Belt Buckle

2

Procedure

Disconnect the electrical connector.

FRONT SEAT BELT OPENING BEZEL REPLACEMENT

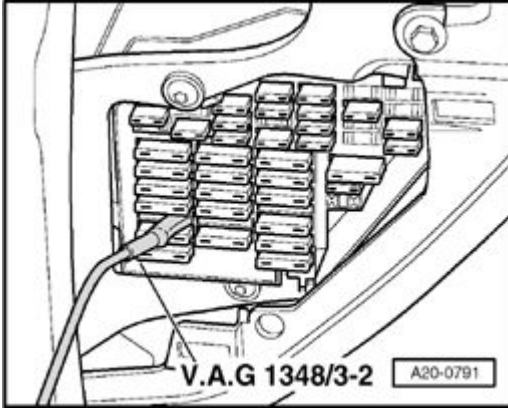


Fig. 4: Front Seat Belt Opening Bezel
 Courtesy of GENERAL MOTORS COMPANY

Front Seat Belt Opening Bezel Replacement

Callout	Component Name
<p>Preliminary Procedure Remove the seat belt retractor anchor from the seat belt tensioner. Refer to Front Seat Belt Retractor Replacement.</p>	
<p>1</p>	<p>Front Seat Belt Opening Bezel</p> <p>CAUTION: Do not twist the cover during removal. Twisting the cover may cause the component to break.</p> <p>Procedure</p> <ol style="list-style-type: none"> 1. Firmly grasp both sides of the bezel pulling the bottom outward to disengage the bottom of the cover. 2. Remove the bezel by sliding the cover downward over the seat belt and seat belt anchor.

REAR SEAT BELT BUCKLE REPLACEMENT

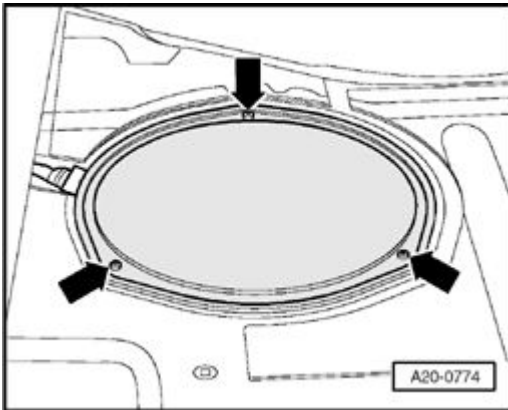


Fig. 5: Rear Seat Belt Buckle
 Courtesy of GENERAL MOTORS COMPANY

Rear Seat Belt Buckle Replacement

Callout	Component Name
Preliminary Procedure Remove the rear seat cushion. Refer to Rear Seat Cushion Removal and Installation .	
1	Rear Seat Belt Buckle Nut (Qty: 2) CAUTION: Refer to Fastener Caution . Tighten 45 (33 lb ft)
2	Rear Seat Belt Buckle (Qty: 2)

REAR CENTER SEAT BELT RETRACTOR REPLACEMENT

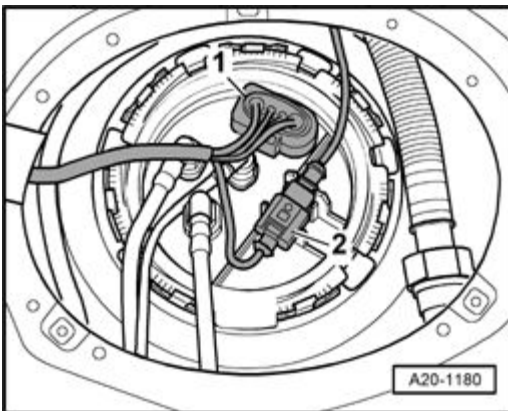


Fig. 6: Rear Center Seat Belt Retractor
 Courtesy of GENERAL MOTORS COMPANY

Rear Center Seat Belt Retractor Replacement

2014 Cadillac ATS

2014 RESTRAINTS Seat Belts - ATS

Callout	Component Name
Preliminary Procedure	
Remove the rear window panel trim. Refer to <u>Rear Window Panel Trim Replacement</u>	
1	Rear Center Seat Belt Retractor Fastener CAUTION: Refer to <u>Fastener Caution</u> . Tighten 45 N.m (33 lb ft)
2	Rear Center Seat Belt Retractor

REAR SEAT BELT RETRACTOR REPLACEMENT

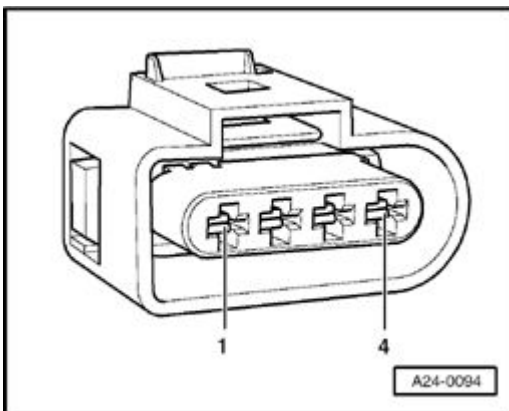


Fig. 7: Rear Seat Belt Retractor
 Courtesy of GENERAL MOTORS COMPANY

Rear Seat Belt Retractor Replacement

Callout	Component Name
Preliminary Procedures	
1. Remove the rear seat cushion. Refer to <u>Rear Seat Cushion Removal and Installation</u> . 2. Remove the rear seat back cushion bolster, if equipped. Refer to <u>Rear Seat Back Bolster Replacement</u> . 3. Remove the rear seat back cushion, if equipped with fixed seat back. Refer to <u>Rear Seat Back Cushion Removal and Installation (40% Seat with AM9)</u> , <u>Rear Seat Back Cushion Removal and Installation (60% Seat with AM9)</u> , <u>Rear Seat Back Cushion Removal and Installation (without AM9)</u> . 4. Remove the quarter upper trim panel. Refer to <u>Quarter Upper Trim Panel Replacement</u> .	
	Rear Seat Belt Retractor Anchor Plate Bolt

2014 Cadillac ATS

2014 RESTRAINTS Seat Belts - ATS

1	<p>CAUTION: Refer to <u>Fastener Caution</u> .</p> <p>Tighten 45 N.m (33 lb ft)</p>
2	<p>Rear Seat Belt Retractor Bolt (lower)</p> <p>Tighten 45 N.m (33 lb ft)</p>
3	<p>Rear Seat Belt Retractor Bolt (upper)</p> <p>Tighten 45 N.m (33 lb ft)</p>
4	<p>Rear Seat Belt Retractor</p>

CHILD SEAT TOP STRAP BRACKET ACCESS HOLE COVER REPLACEMENT

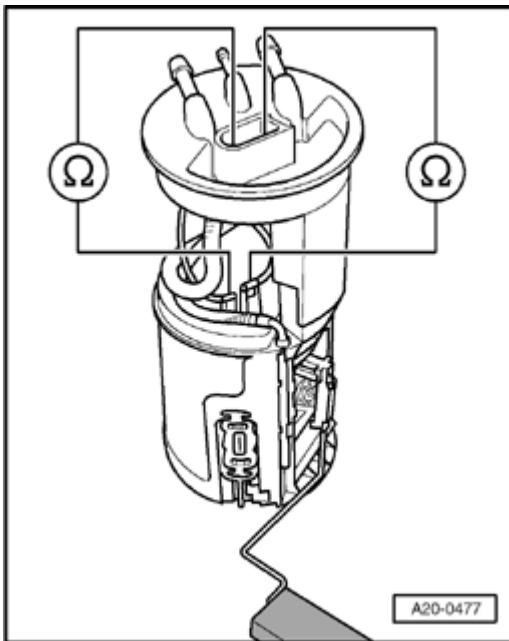


Fig. 8: Child Seat Top Strap Bracket Access Hole Cover
Courtesy of GENERAL MOTORS COMPANY

Child Seat Top Strap Bracket Access Hole Cover Replacement

Callout	Component Name
1	<p>Child Seat Top Strap Bracket Access Hole Cover</p> <p>Procedure Release the child seat top strap bracket access hole cover using a suitable flat-bladed tool.</p>

DESCRIPTION AND OPERATION

2014 Cadillac ATS

2014 RESTRAINTS Seat Belts - ATS

SEAT BELT SYSTEM DESCRIPTION AND OPERATION

Seat Belt with P14 Block Diagram

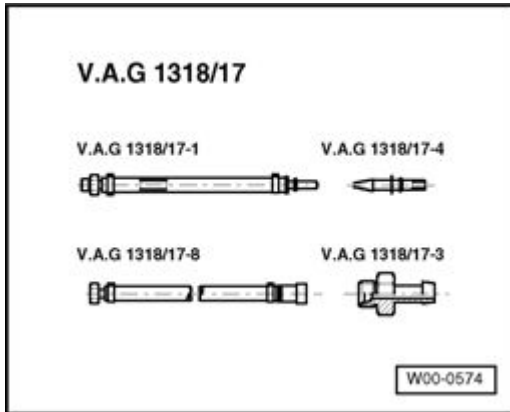


Fig. 9: Seat Belt with P14 Block Diagram
Courtesy of GENERAL MOTORS COMPANY

Callout	Component Name
HW	Hard-Wired
HW	Hard-Wired
HW	Hard-Wired
DA	Serial Data
DA	Serial Data
HW	Hard-Wired
DA	Serial Data
B153D	B153D Seat Belt Buckle - Driver
B153P	B153P Seat Belt Buckle - Passenger
K36	K36 Inflatable Restraint Sensing and Diagnostic Module
A11	A11 Radio
P16	P16 Instrument Cluster
B60	B60 Passenger Presence Sensor
K85	Passenger Presence Module
P14	P14 Passenger Air Bag Disabled Indicator

Restraint System

NOTE: If the vehicle has been in a collision, refer to **Repairs and Inspections Required After a Collision**

The vehicle has front and rear seat belts that are the primary means of occupant restraint. Seat belts help to keep the occupants inside the passenger compartment and to gradually reduce the impact forces during the following events: