

2014 Cadillac Escalade

2014 Engine Engine Mechanical - 5.3L, 6.2L - Repair Instructions - On Vehicle - Escalade, Yukon, Suburban, Tahoe

2014 Engine

Engine Mechanical - 5.3L, 6.2L - Repair Instructions - On Vehicle - Escalade, Yukon, Suburban, Tahoe

REPAIR INSTRUCTIONS - ON VEHICLE

DRIVE BELT REPLACEMENT - ACCESSORY

Removal Procedure

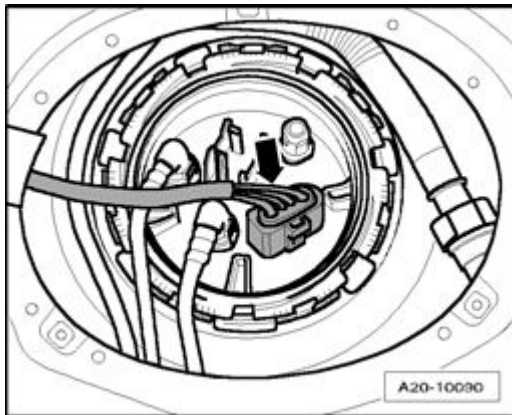


Fig. 1: View Of Accessory Drive Belt Routing
Courtesy of GENERAL MOTORS COMPANY

1. Open the hood.
2. Remove the air cleaner outlet duct. Refer to [Air Cleaner Resonator Outlet Duct Replacement](#).
3. Install a breaker bar with hex-head socket to the drive belt tensioner bolt.
4. Rotate the drive belt tensioner clockwise in order to relieve tension on the belt.
5. Remove the drive belt (1) from the pulleys and the drive belt tensioner.
6. Slowly release the tension on the drive belt tensioner.
7. Remove the breaker bar and socket and from the drive belt tensioner bolt.
8. Clean and inspect the belt surfaces of all the pulleys.

Installation Procedure

2014 Cadillac Escalade

2014 Engine Engine Mechanical - 5.3L, 6.2L - Repair Instructions - On Vehicle - Escalade, Yukon, Suburban, Tahoe

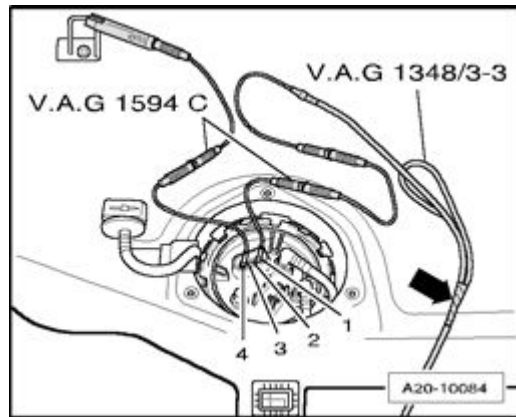


Fig. 2: View Of Accessory Drive Belt Routing
Courtesy of GENERAL MOTORS COMPANY

1. Route the drive belt (1) around all the pulleys except the idler pulley.
2. Install the breaker bar with hex-head socket to the belt tensioner bolt.
3. Rotate the belt tensioner clockwise in order to relieve the tension on the tensioner.
4. Install the drive belt under the idler pulley.
5. Slowly release the tension on the belt tensioner.
6. Remove the breaker bar and socket from the belt tensioner bolt.
7. Inspect the drive belt for proper installation and alignment.
8. Install the air cleaner outlet duct. Refer to **Air Cleaner Resonator Outlet Duct Replacement**.
9. Start the vehicle and inspect the drive belt for proper operation.
10. Close the hood.

AIR CONDITIONING COMPRESSOR BELT REPLACEMENT (V8)

Removal Procedure

2014 Cadillac Escalade

2014 Engine Engine Mechanical - 5.3L, 6.2L - Repair Instructions - On Vehicle - Escalade, Yukon, Suburban, Tahoe

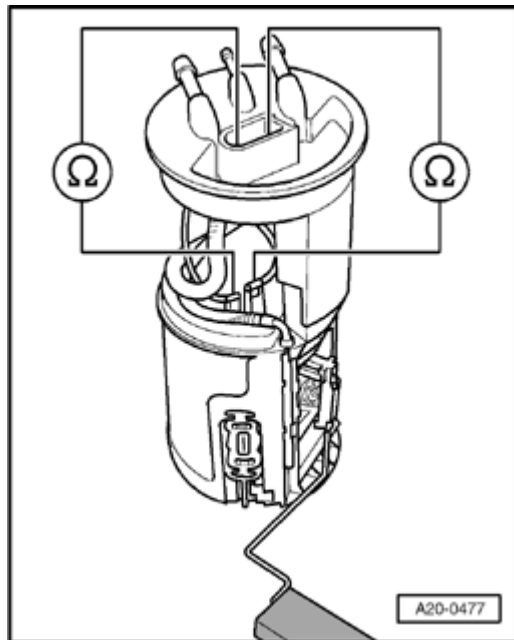


Fig. 3: Removing Belt
Courtesy of GENERAL MOTORS COMPANY

1. Remove the accessory drive belt. Refer to **Drive Belt Replacement - Accessory**.
2. Remove the skid plate. Refer to **Engine Shield Replacement**.
3. Cut the belt (1) from air conditioning (A/C) and crankshaft pulleys.

Installation Procedure

2014 Cadillac Escalade

2014 Engine Engine Mechanical - 5.3L, 6.2L - Repair Instructions - On Vehicle - Escalade, Yukon, Suburban, Tahoe

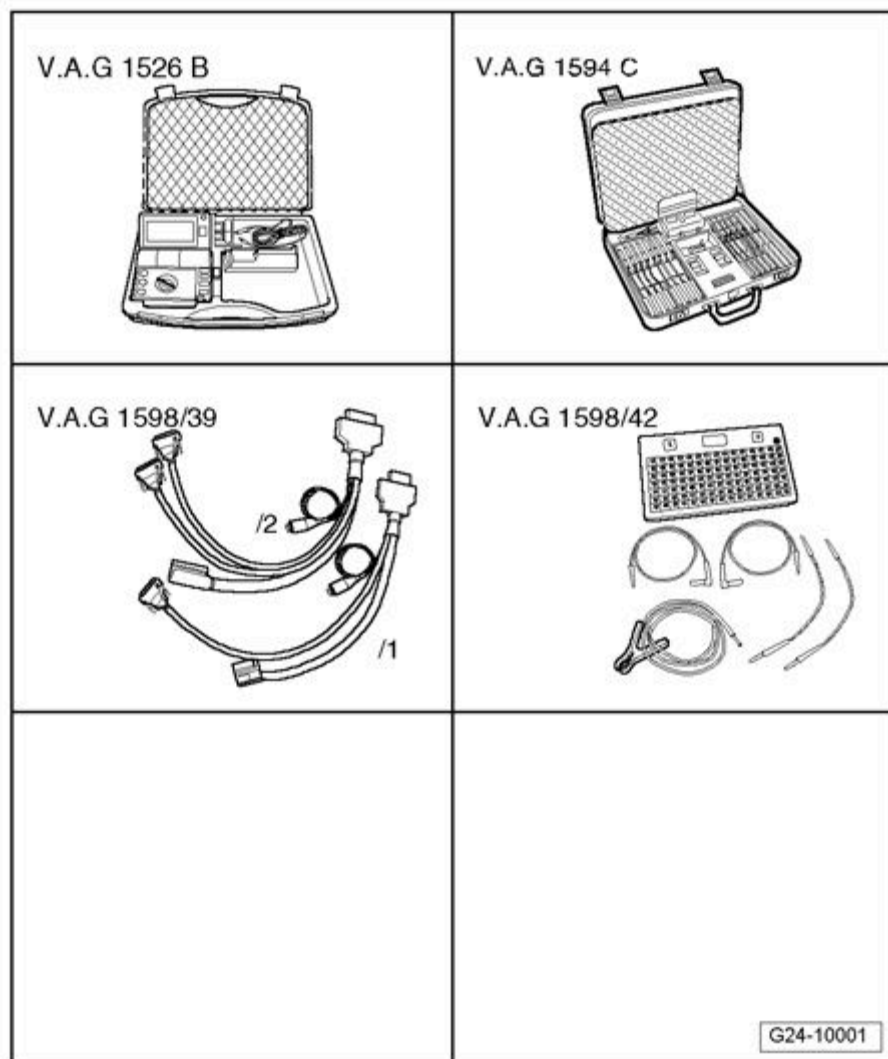


Fig. 4: InstallingBelt

Courtesy of GENERAL MOTORS COMPANY

NOTE: The OEM replacement stretchy belt is packaged with a disposable installation tool.

1. Position the belt behind the rear face of the balancer (1) and off of the A/C pulley (2).
2. Install the belt installation tool (3) onto the balancer.

2014 Cadillac Escalade

2014 Engine Engine Mechanical - 5.3L, 6.2L - Repair Instructions - On Vehicle - Escalade, Yukon, Suburban, Tahoe

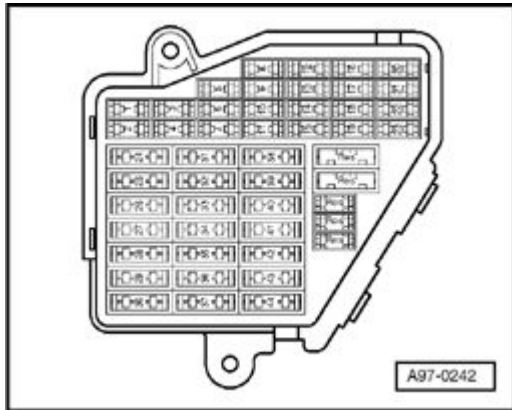


Fig. 5: Belt Installation Tool

Courtesy of GENERAL MOTORS COMPANY

3. Slide the belt installation tool (1) upward, installing the belt (2) onto the belt installation tool.
4. Slide the belt installation tool downward, positioning the belt onto the A/C pulley, applying light tension to the belt.

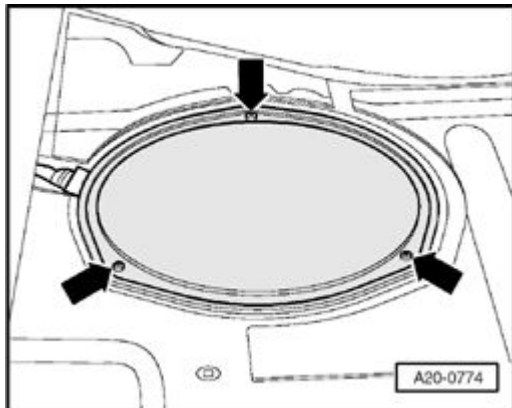


Fig. 6: Locating Lower Portion Of Belt & Ribbed Area Facing Forward

Courtesy of GENERAL MOTORS COMPANY

5. Position the lower portion of the belt (1) with the ribbed area facing forward.

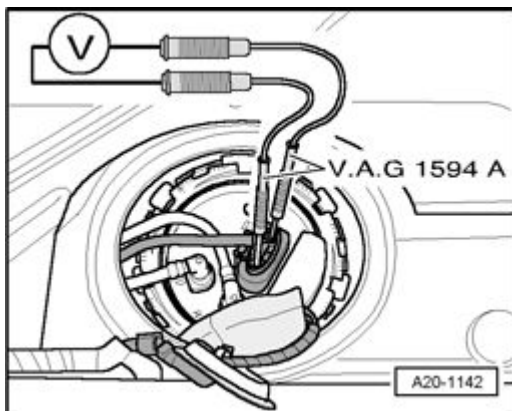


Fig. 7: Rotating Crankshaft Pulley
Courtesy of GENERAL MOTORS COMPANY

6. Slowly rotate the crankshaft pulley (1) in a clockwise direction while using finger pressure to pull the belt (2) forward. Ensure that the ribbed area of the belt remains facing forward and the belt aligns properly to the A/C pulley.

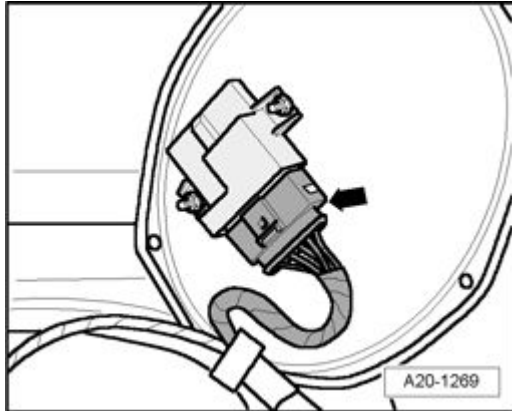


Fig. 8: Drive Belt Alignment
Courtesy of GENERAL MOTORS COMPANY

7. Inspect the drive belt (1) for proper installation and alignment.

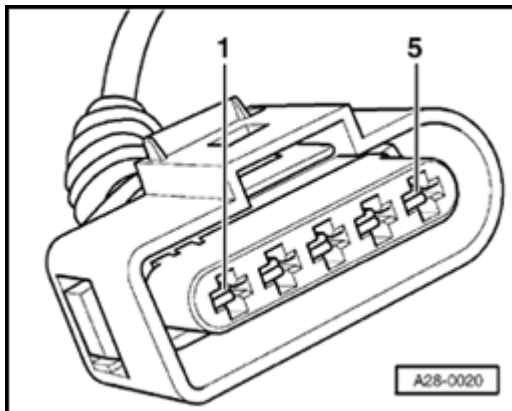


Fig. 9: A/C Compressor Drive Belt
Courtesy of GENERAL MOTORS COMPANY

8. Rotate the balancer (1) and additional 360 degrees to ensure proper belt installation.
9. Install the skid plate. Refer to **Engine Shield Replacement** .
10. Install the accessory drive belt. Refer to **Drive Belt Replacement - Accessory**.

DRIVE BELT IDLER PULLEY REPLACEMENT

Removal Procedure

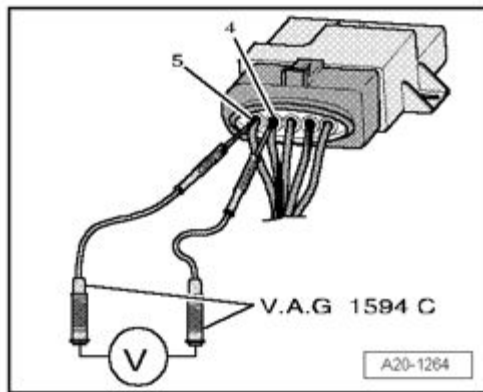


Fig. 10: View Of Drive Belt Idler Pulley
Courtesy of GENERAL MOTORS COMPANY

1. Remove the accessory drive belt. Refer to **Drive Belt Replacement - Accessory**.
2. Loosen the drive belt idler pulley bolt and remove the idler pulley.

Installation Procedure

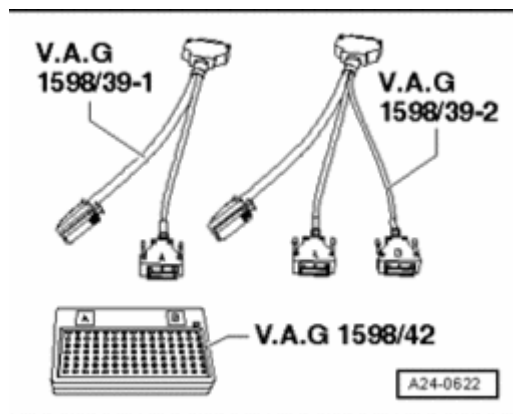


Fig. 11: View Of Drive Belt Idler Pulley
Courtesy of GENERAL MOTORS COMPANY

1. Position the drive belt idler pulley to the generator bracket and tighten the idler pulley bolt finger tight.

CAUTION: Refer to Fastener Caution .

2. Tighten the drive belt idler pulley bolt.

Tighten

Tighten the bolt to 50 N.m (37 lb ft).