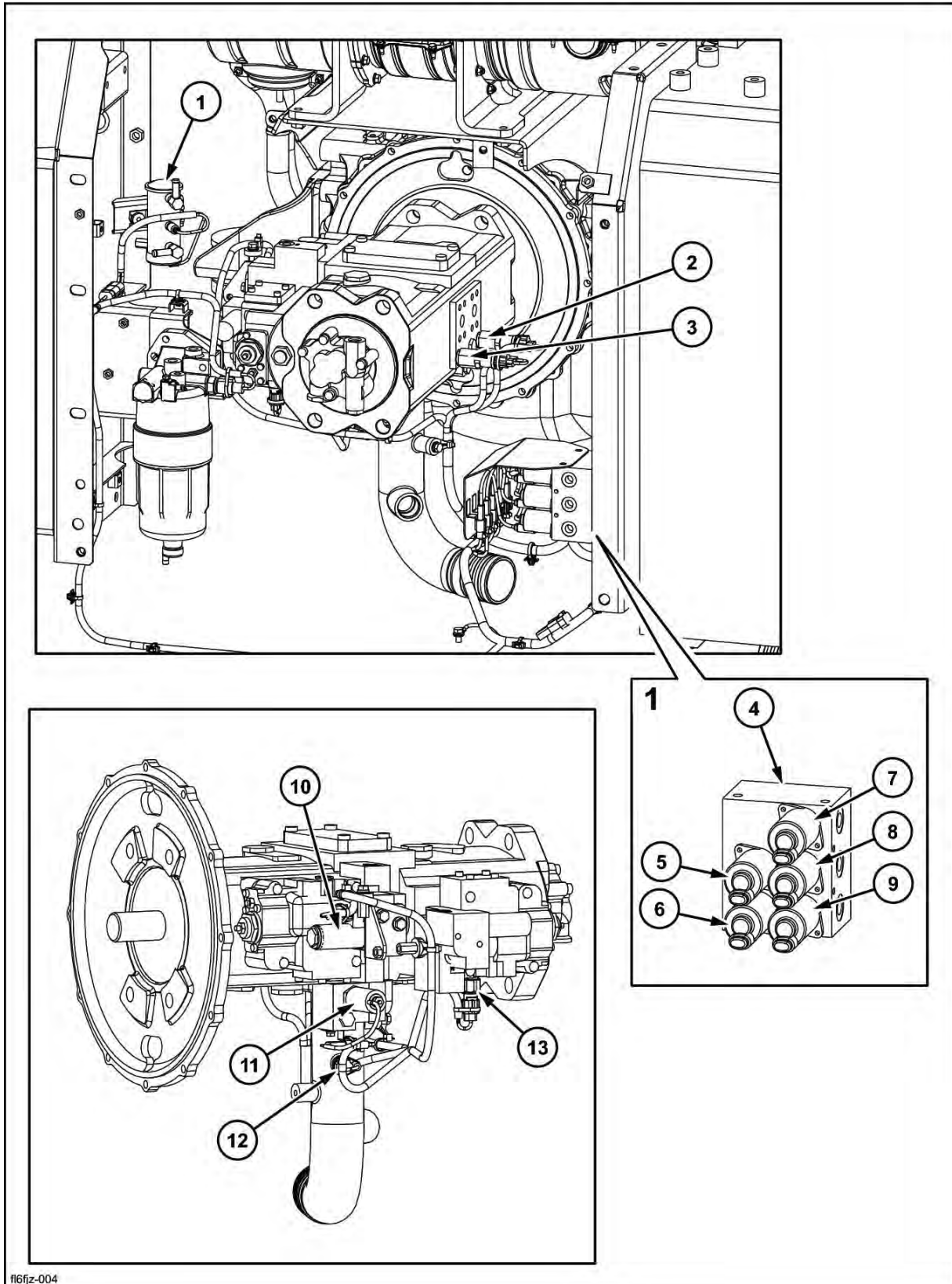


Electrical Equipment Layout Diagram

Main Unit Right Side Layout Diagram (pump chamber)

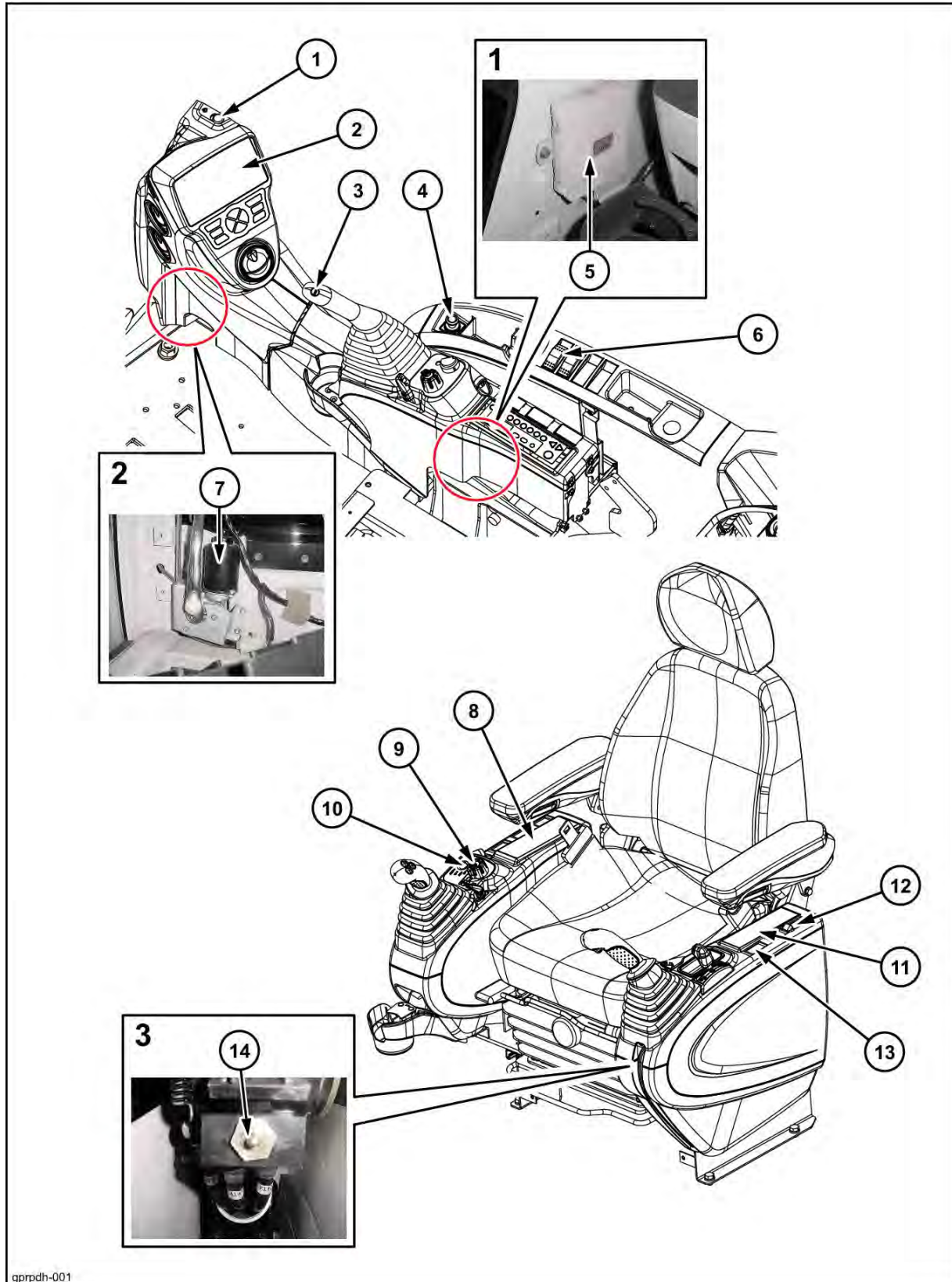


Electrical Equipment Layout Diagram

1	Magnetic fuel pump	6	Lever lock	11	Horsepower control proportional valve
2	P1 pressure sensor	7	Swing brake	12	Oil temperature sensor
3	P2 pressure sensor	8	2-stage relief	13	N2 pressure sensor
4	5 stack solenoid valve	9	2-stage travel		
5	Power save	10	Actual milli-amp for flow control proportional valve		

Electrical Equipment Layout Diagram

Cab Layout Diagram 1

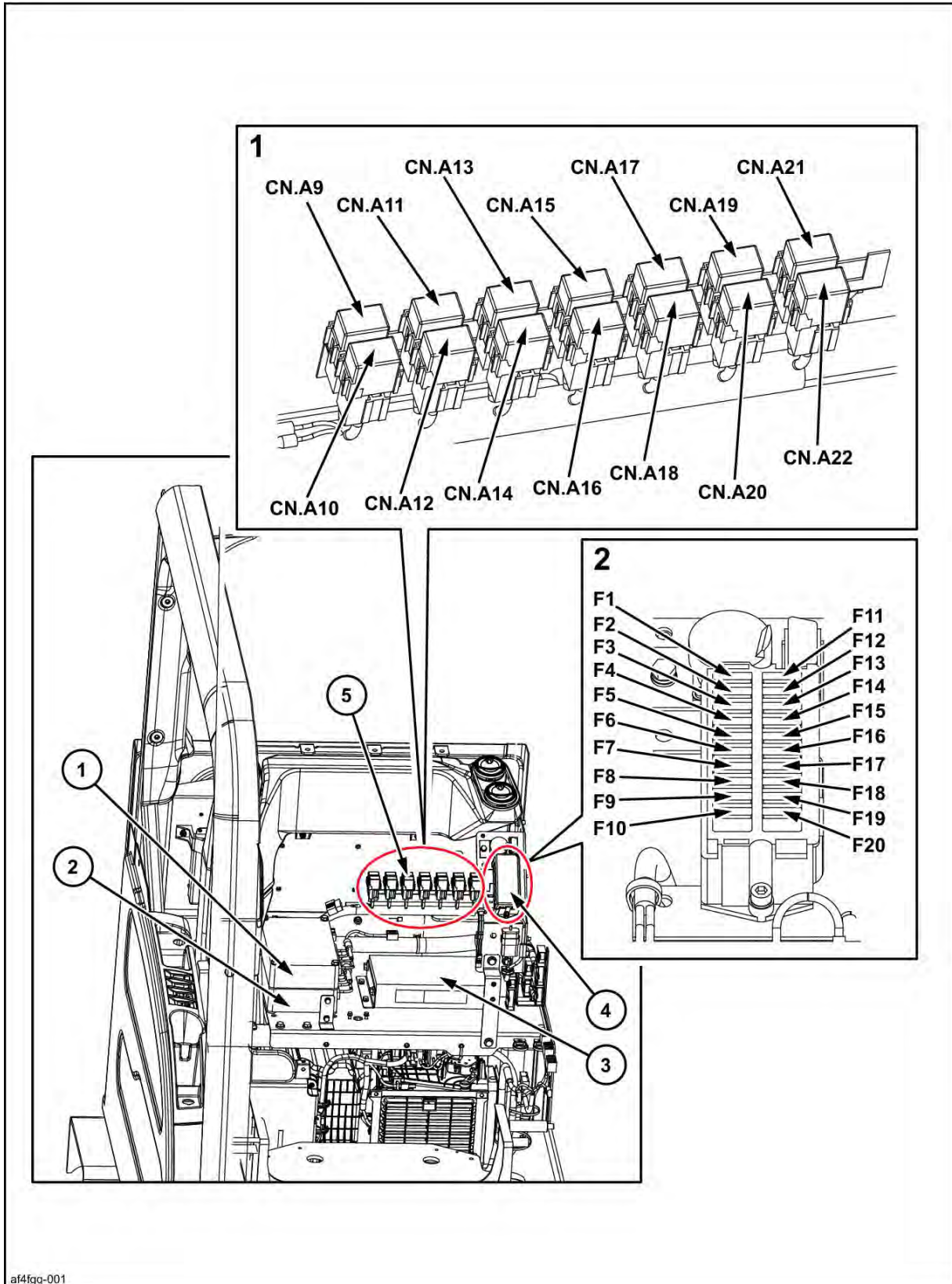


Electrical Equipment Layout Diagram

1	Air conditioner sunlight sensor	6	Rocker switch	11	Air conditioner control panel
2	Monitor display	7	Wiper motor	12	Engine emergency stop switch
3	Knob	8	Radio	13	Rocker switch
4	Cigar lighter	9	Throttle volume	14	Gate lock limit switch
5	Wiper controller	10	Key cylinder		

Electrical Equipment Layout Diagram

Cab Layout Diagram 2



Electrical Equipment Layout Diagram

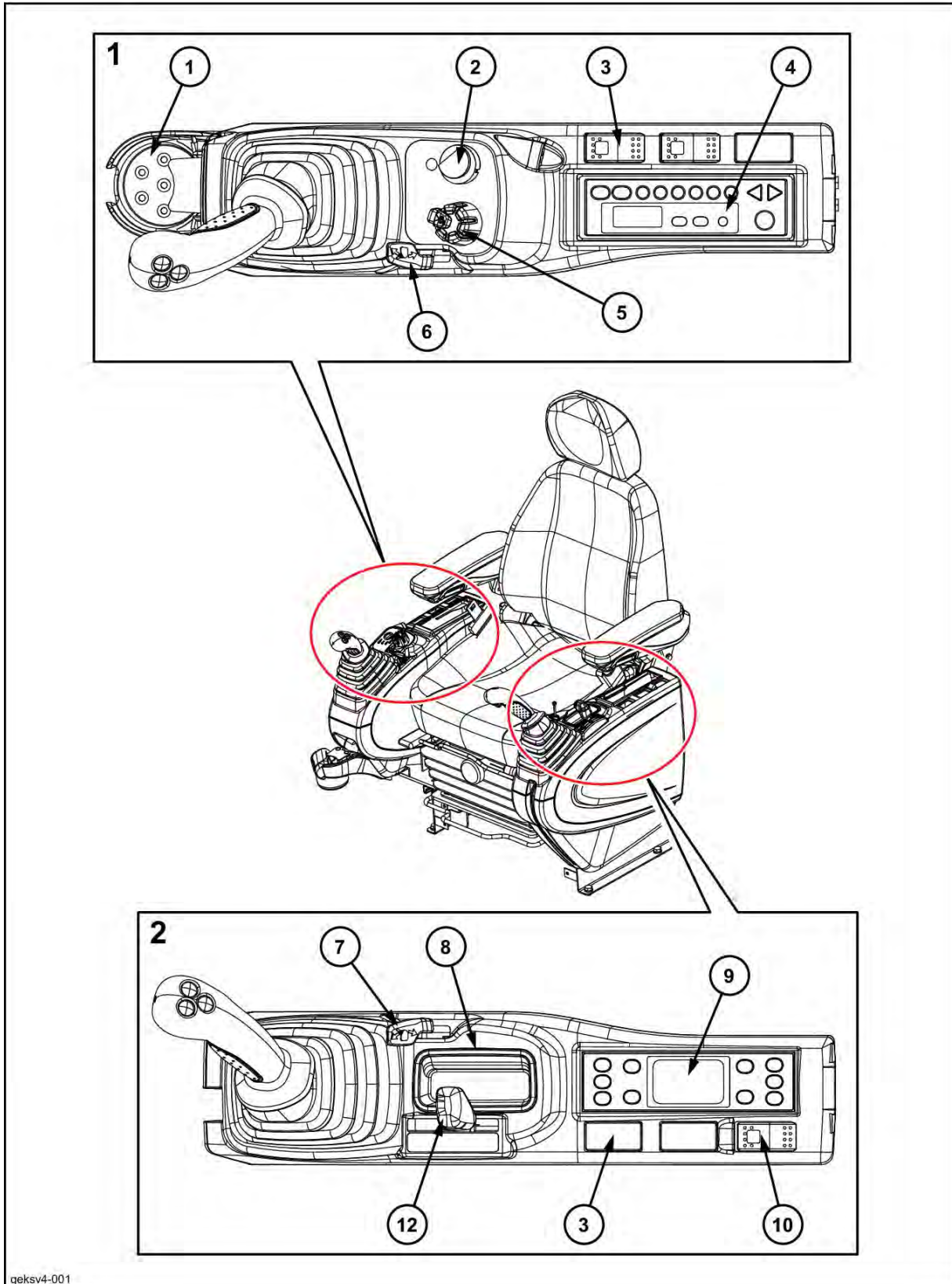
1	Computer B	3	ECM (engine control module)	5	Relay
2	Computer A	4	Fuse box		

No.	Name	No.	Name	No.	Name
CN. A9	ECM relay	CN. A14	Neutral start relay	CN. A19	Beacon relay
CN. A10	DPF relay	CN. A15	Key ON relay	CN. A20	Room lamp relay
CN.A11	Battery relay	CN. A16	Horn relay	CN. A21	Right speaker relay
CN. A12	Idle stop relay	CN. A17	Boom, house light relay	CN. A22	Left speaker relay
CN. A13	Starter cut relay	CN.A18	Cab top light relay		

No.	Name		No.	Name	
F1	Key switch	15 A	F11	Wiper, washer	15 A
F2	ECM (engine control module)	20 A	F12	Travel alarm, signal lamp	10 A
F3	GPS computer	15 A	F13	Cigar lighter, seat suspension	10 A
F4	Backup (radio, room lamp)	10 A	F14	DC converter	10 A
F5	Gate lock lever	10 A	F15	Air conditioner unit	5 A
F6	Solenoid	10 A	F16	Air conditioner blower motor	15 A
F7	Horn	10 A	F17	Air conditioner compressor	5 A
F8	Cab top light	15 A	F18	Option power supply	10 A
F9	Boom, house light	15 A	F19	Feed pump	15 A
F10	Option power supply	15 A	F20	Option line solenoid	10 A

Electrical Equipment Layout Diagram

Layout Around Operator Seat



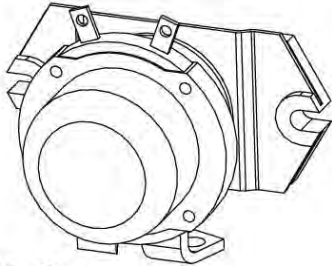
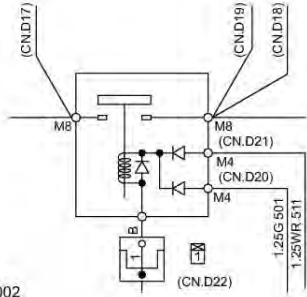
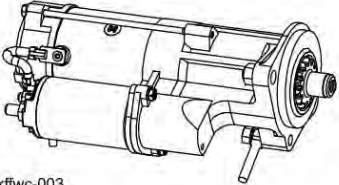
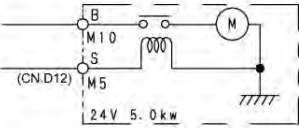
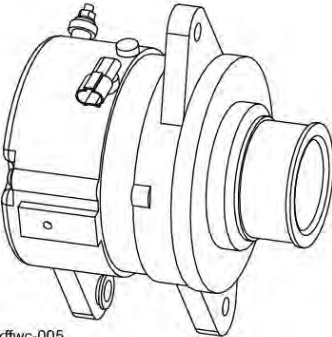
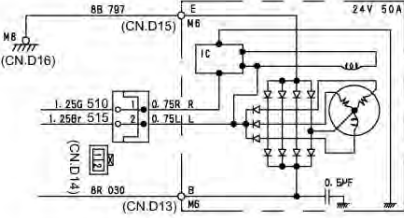
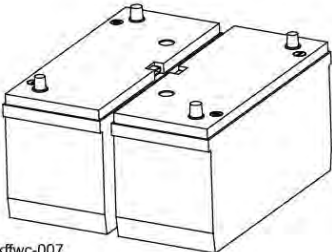
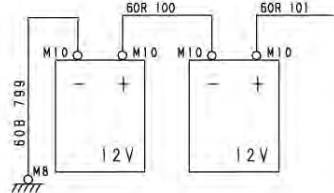
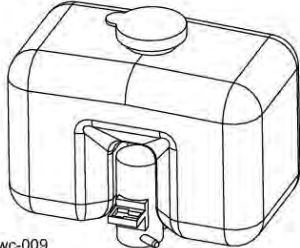
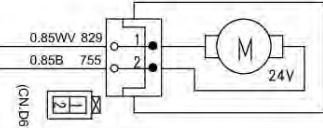
gek4-001

Electrical Equipment Layout Diagram

1	Cup holder	5	Throttle volume	9	Air conditioner control panel
2	Starter switch	6	Tilt lever right	10	Engine emergency stop switch
3	Rocker switch space	7	Tilt lever left	11	Gate lever
4	Radio	8	Ashtray		

Electrical Equipment Layout Diagram

Stand Alone Parts Diagram

Name	Shape	Circuit	Remarks
Battery relay	 <p style="text-align: center;">akffwc-001</p>	 <p style="text-align: center;">akffwc-002</p>	<p>Specification; For +24 VDC Sumitomo part No.; KHR1241</p>
Starter motor	 <p style="text-align: center;">akffwc-003</p>	 <p style="text-align: center;">akffwc-004</p>	<p>Specification; 5.0 kW -24 V Isuzu part No.;; 898070-3211</p>
Alternator	 <p style="text-align: center;">akffwc-005</p>	 <p style="text-align: center;">akffwc-006</p>	<p>Specification; 50 A -24 V Isuzu part No.;; 898092-1161</p>
Battery	 <p style="text-align: center;">akffwc-007</p>	 <p style="text-align: center;">akffwc-008</p>	<p>Model; 130E41R Sumitomo part No.; KHR3944</p>
Washer motor	 <p style="text-align: center;">akffwc-009</p>	 <p style="text-align: center;">akffwc-010</p>	<p>Sumitomo part No.; KHR2261 (tank + motor)</p>