

OPERATOR STATION

321-7038 COMPRESSOR GP-REFRIGERANT

S/N: LTG1-UP

PART OF 353-1468 HEATER & AIR CONDITIONER AR
AN ATTACHMENT

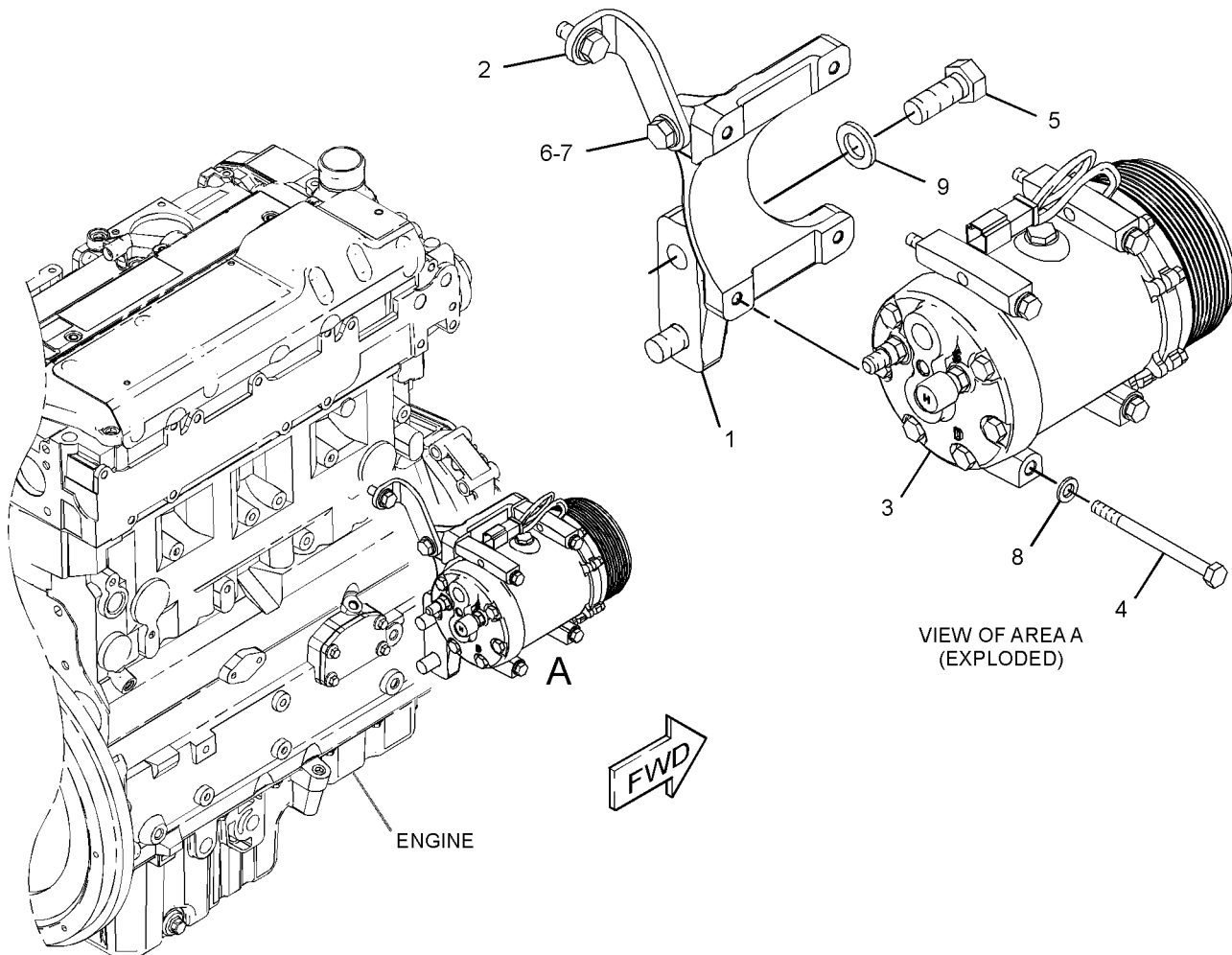
SMCS-1802

i03035509

NOTE	REF NO	GRAPHIC REF	PART NUMBER	QTY	PART NAME						SEE PAGE
					1	2	3	4	5	6 (PRODUCT LEVEL)	
	1	1	288-9734	1	BRACKET						
	2	1	290-7831	1	BRACKET						
Y	3	1	299-2212	1	COMPRESSOR GP-REFRIGERANT						461
M	4	1	7X-2538	4	BOLT (M8X1.25X100-MM)						
M	5	1	7X-2553	2	BOLT (M16X2X40-MM)						
	6	1	8T-4121	2	WASHER-HARD (11X21X2.5-MM THK)						
M	7	1	8T-4136	2	BOLT (M10X1.5X25-MM)						
	8	1	8T-4224	4	WASHER-HARD (8.8X16X2-MM THK)						
	9	1	9X-8257	2	WASHER (17.5X30X3.5-MM THK)						

M-METRIC PART

Y-SEPARATE ILLUSTRATION



GRAPHIC #1

<END>

g01570153

OPERATOR STATION

337-9765 CONDENSER & MTG GP-REFRIGERANT

S/N: LTG1-UP

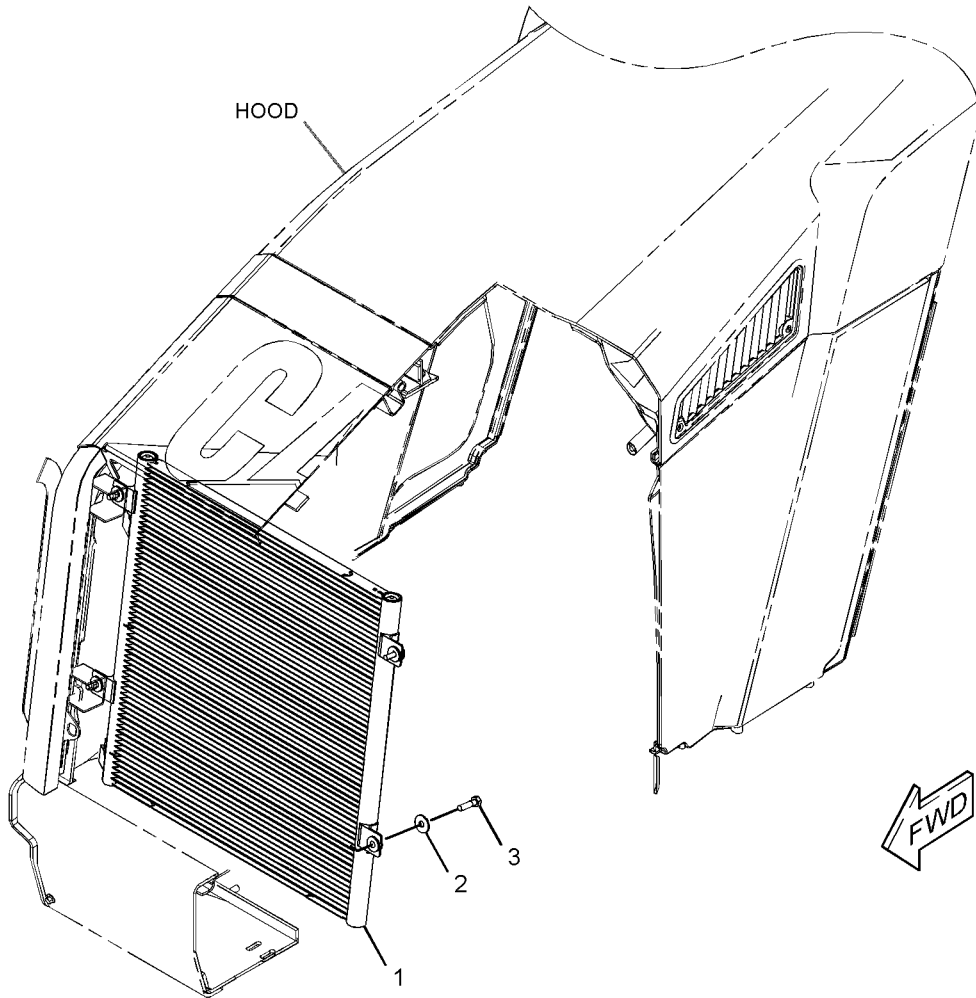
PART OF 353-1468 HEATER & AIR CONDITIONER AR
AN ATTACHMENT

SMCS-1805

i04586129

NOTE	REF NO	GRAPHIC REF	PART NUMBER	QTY	PART NAME						SEE PAGE
					1	2	3	4	5	6 (PRODUCT LEVEL)	
	1	1	359-9885	1	CONDENSER AS						
		1	317-8141	4	MOUNT						
	2	1	7X-0579	4	WASHER-HARD (8.8X25.5X2-MM THK)						
M	3	1	8T-7547	4	BOLT (M8X1.25X30-MM)						

M-METRIC PART



GRAPHIC #1

<END>

g02788536