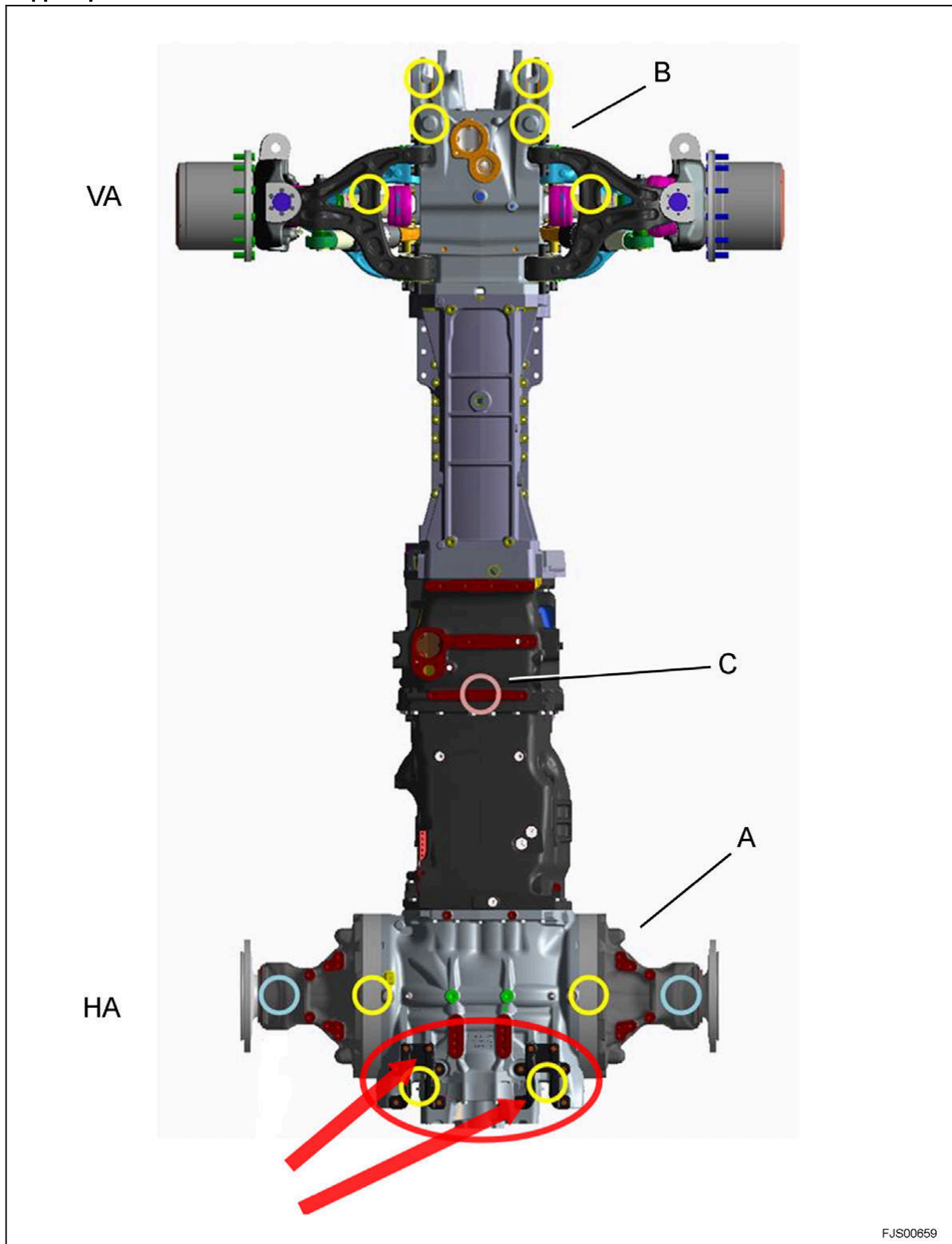


Support points



FJS00659

Fig. 3

- (A) Supporting points on rear axle
- (B) Supporting points on front axle
- (C) Supporting point on coupler housing
- (HA) Rear axle
- (VA) Front axle

Supporting points A on rear axle

Designation	Note
Ring gears	
Lower link stands	There are no lower link stands in the "tractor without rear power lift" version. The open mounting surfaces (arrows) are not suitable for positioning the jack! (see also image below)
Trumpet housing	Used as a supporting point when rear wheels removed

Supporting points B on front axle

Designation	Note
Front-axle (VA) lower link support	
Front axle housing	For round contact surfaces
Front-axle jib	

Supporting point C on coupler housing

Designation	Note
Contact surface (C) on coupler housing	Used as a supporting point when rear axle is removed

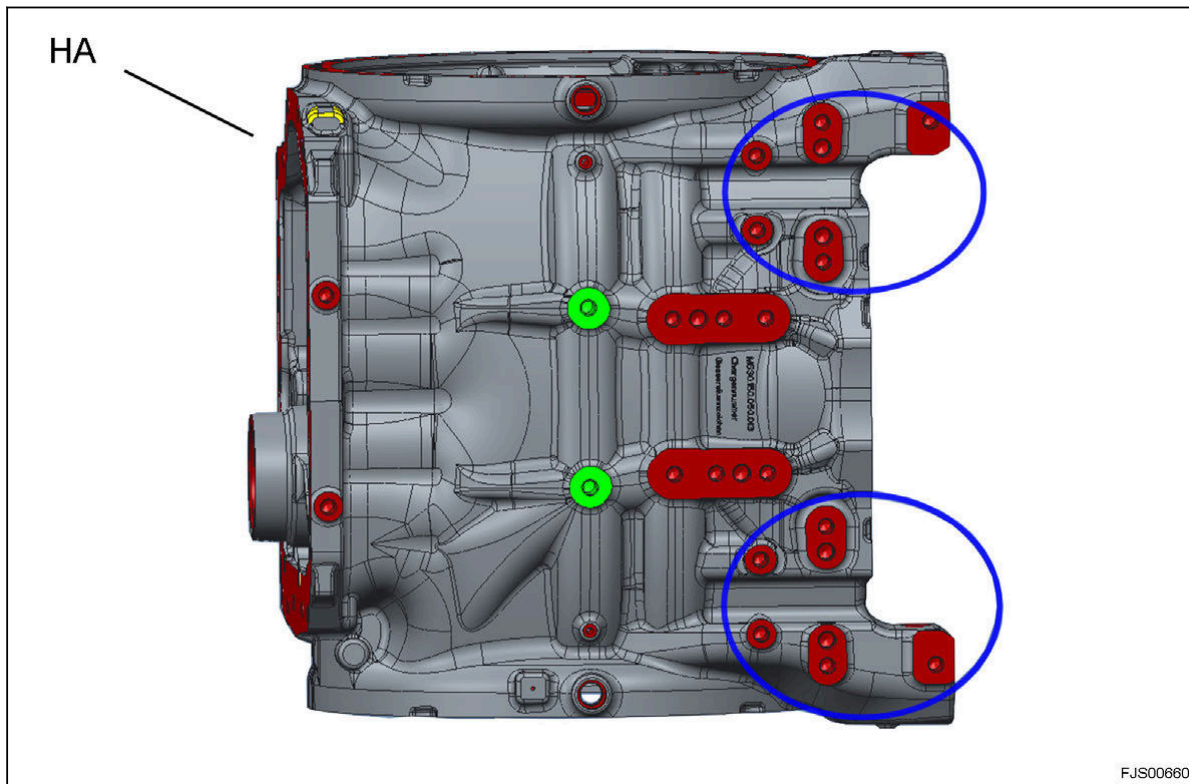


Fig. 4
(HA) Rear axle