

1 Blown-up view of the PTO

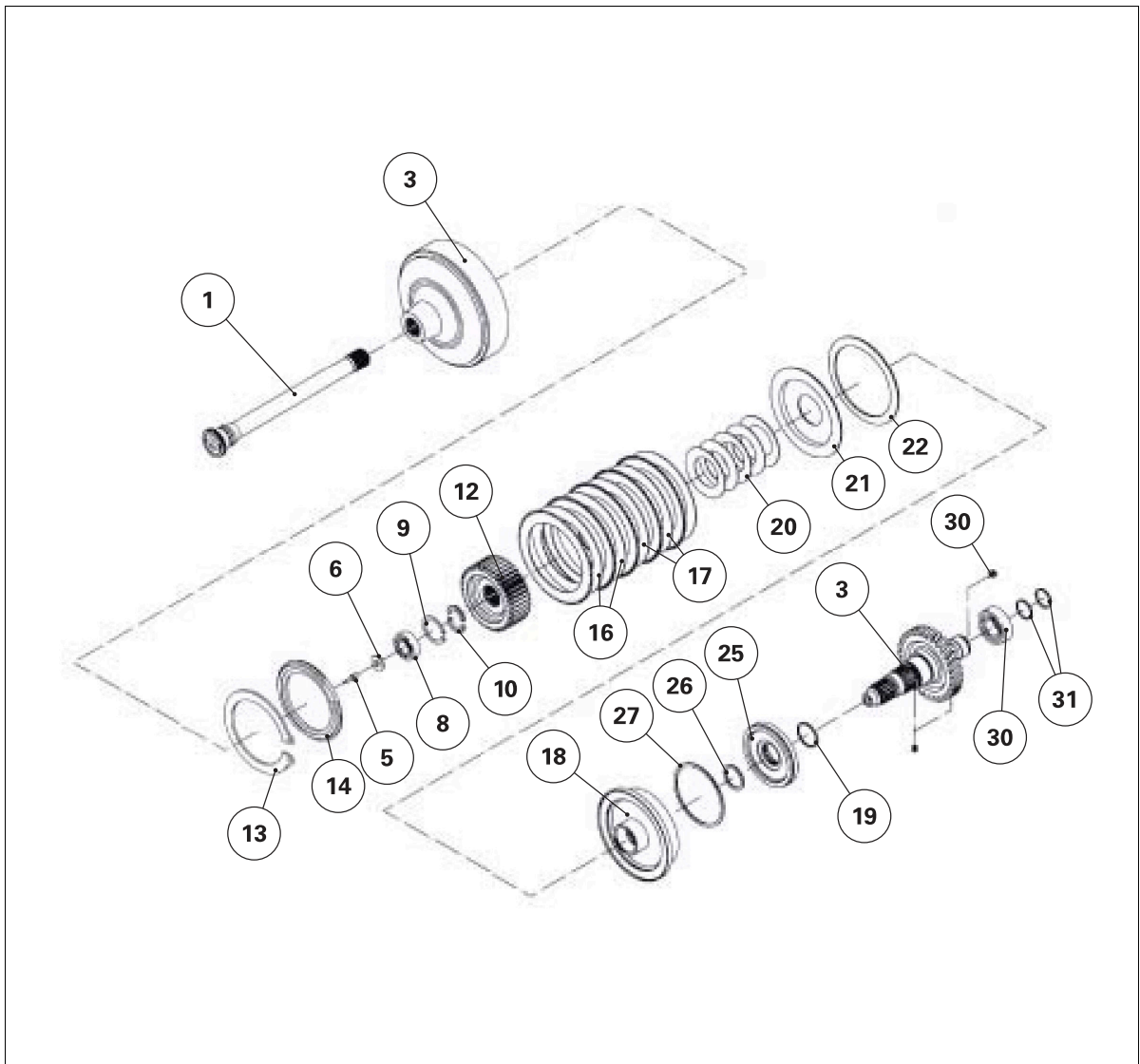


Fig. 1.

I016746

- | | | | |
|------|-----------------------|------|-------------------------------|
| (1) | Shaft | (18) | Piston |
| (3) | Clutch bell housing | (19) | Lip seal |
| (5) | Nozzle | (20) | Spring washer |
| (6) | Washer | (21) | Thrust washer |
| (7) | Gear | (22) | Spring washer |
| (8) | Roller bearing | (25) | Piston |
| (9) | Circlips | (26) | "O" ring |
| (10) | Locking half-rings | (27) | Lip seal |
| (12) | Internal disc carrier | (30) | Roller bearing |
| (13) | Circlips | (31) | Ring with rectangular section |
| (14) | Thrust plate | (33) | Grub screw |
| (16) | Disc | (35) | Nozzle |
| (17) | Inner disc | | |

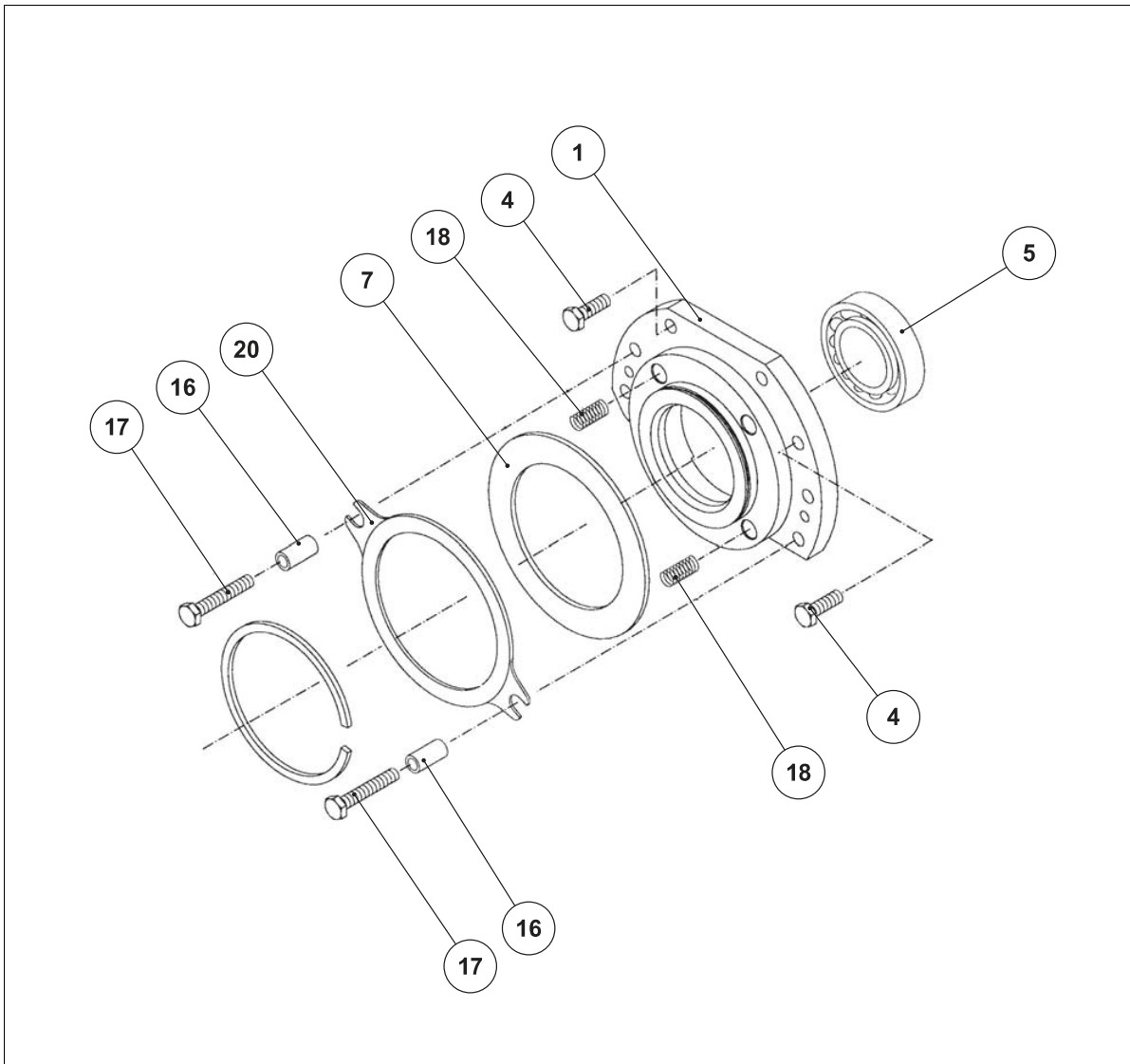


Fig. 2.

I016747

- | | | | |
|------|----------------|------|-------------|
| (1) | Flange | (17) | Allen screw |
| (4) | Allen screw | (18) | Spring |
| (5) | Roller bearing | (19) | Snap ring |
| (7) | Brake disc | (20) | Disc |
| (16) | Socket | | |