

2013 Chevrolet Avalanche

2013 RESTRAINTS Seat Belts - Avalanche, Escalade, Tahoe, Suburban & Yukon

3	<p>Refer to <u>Fastener Caution</u> .</p> <p>Tighten 52 N.m (38 lb ft)</p>
4	<p>Front Seat (Buckle Side) Belt Assembly</p> <p>Procedure Disconnect electrical connector.</p>

FRONT SEAT BELT BUCKLE REPLACEMENT (WITH HP2)

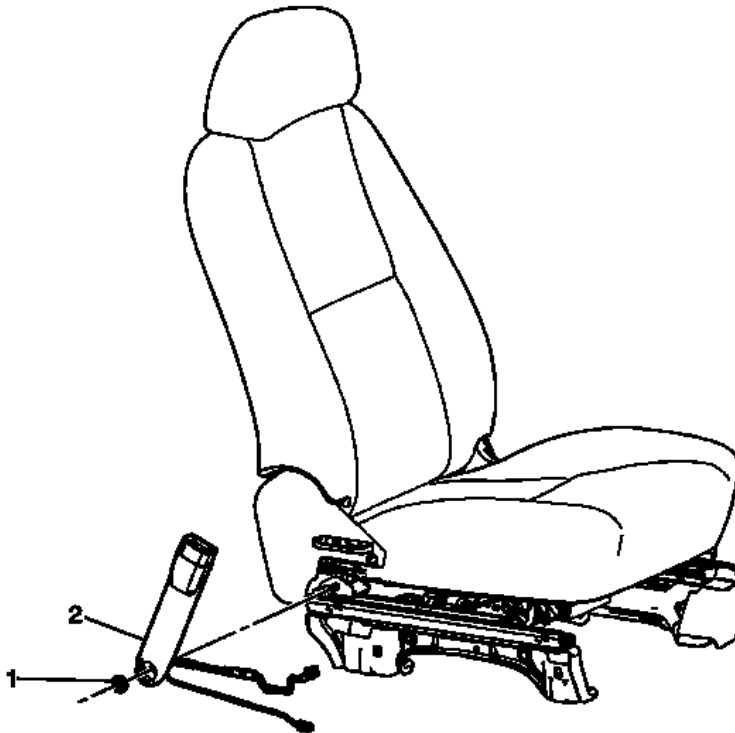


Fig. 5: View Of Front Seat Belt Buckle & Components
Courtesy of GENERAL MOTORS COMPANY

Front Seat Belt Buckle Replacement (with HP2)

Callout	Component Name
<p>Preliminary Procedure Remove front bucket seat. Refer to <u>Front Seat Removal and Installation - Bucket (without HP2)</u> , <u>Front Seat Removal and Installation - Bucket (with HP2)</u> .</p>	
1	<p>Front Seat Belt Buckle Nut</p> <p>CAUTION: Refer to <u>Fastener Caution</u> .</p>

2013 Chevrolet Avalanche

2013 RESTRAINTS Seat Belts - Avalanche, Escalade, Tahoe, Suburban & Yukon

	<p>Tighten 52 N.m (38 lb ft)</p>
2	<p>Front Seat Belt Buckle Procedure Disconnect the seat belt electrical connectors.</p>

REAR SEAT BUCKLE SIDE BELT REPLACEMENT (BUCKET)

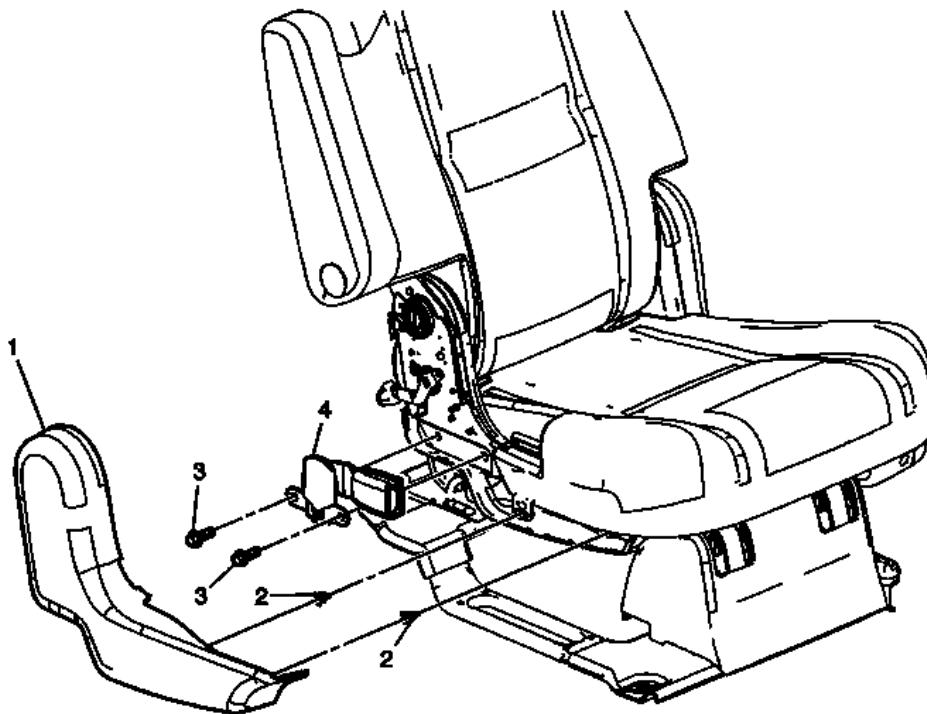


Fig. 6: View Of Rear Seat Belt Buckle & Components
Courtesy of GENERAL MOTORS COMPANY

Rear Seat Buckle Side Belt Replacement (Bucket)

Callout	Component Name
<p>Preliminary Procedure Remove rear bucket seat. Refer to Rear Seat Removal and Installation (Avalanche/Escalade EXT) , Rear Seat Removal and Installation (Tahoe/Yukon/Escalade with Split Bench) , Rear Seat Removal and Installation (Tahoe/Yukon/Escalade with Bucket Seat) .</p>	
1	Rear Seat (Buckle Side) Belt Cover
2	Rear Seat (Buckle Side) Belt Cover Retainer (Qty: 2)
3	<p>Rear Seat (Buckle Side) Belt Bolt (Qty: 2)</p> <p>CAUTION: Refer to Fastener Caution .</p>

2013 Chevrolet Avalanche

2013 RESTRAINTS Seat Belts - Avalanche, Escalade, Tahoe, Suburban & Yukon

	Tighten 52 N.m (38 lb ft)
4	Rear Seat (Buckle Side) Belt Assembly

REAR SEAT BUCKLE SIDE BELT REPLACEMENT (SPLIT BENCH)

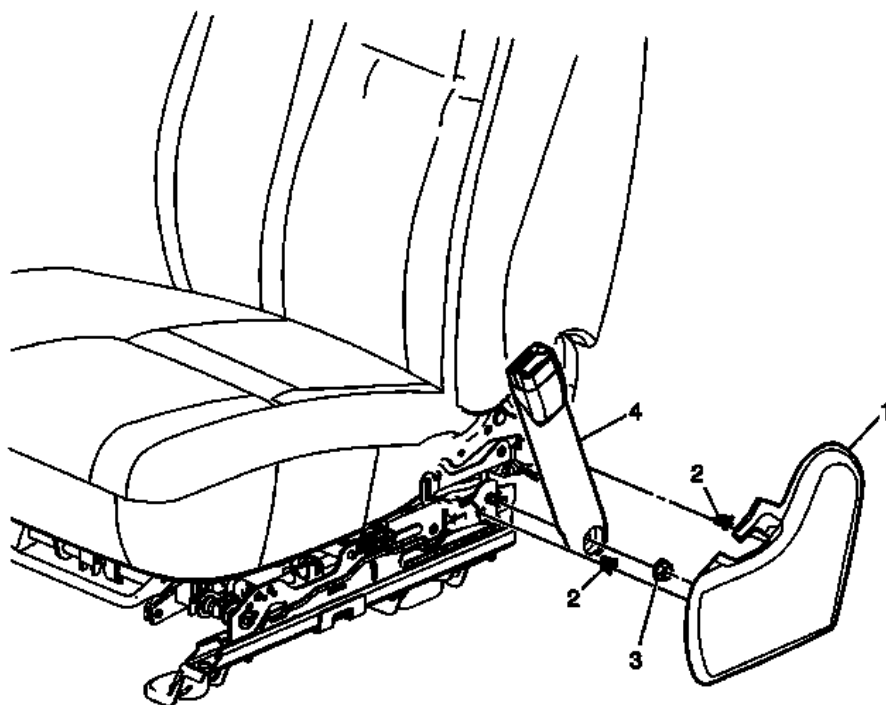


Fig. 7: View Of Seat Belt Buckle & Components
Courtesy of GENERAL MOTORS COMPANY

Rear Seat Buckle Side Belt Replacement (Split Bench)

Callout	Component Name
Preliminary Procedure	
<ol style="list-style-type: none"> 1. Remove rear bench seat. Refer to <u>Rear Seat Removal and Installation (Avalanche/Escalade EXT)</u> , <u>Rear Seat Removal and Installation (Tahoe/Yukon/Escalade with Split Bench)</u> , <u>Rear Seat Removal and Installation (Tahoe/Yukon/Escalade with Bucket Seat)</u> . 2. Remove seat cushion. Refer to <u>Rear Seat Cushion Cover and Pad Replacement (Avalanche/Escalade EXT)</u> , <u>Rear Seat Cushion Cover and Pad Replacement (Tahoe/Yukon/Escalade with Split Bench)</u> , <u>Rear Seat Cushion Cover and Pad Replacement (Tahoe/Yukon/Escalade with Bucket)</u> . 	
	Rear Seat (Buckle Side) Belt Bolt (Qty: 3)
	CAUTION:

2013 Chevrolet Avalanche

2013 RESTRAINTS Seat Belts - Avalanche, Escalade, Tahoe, Suburban & Yukon

1	<p>Refer to <u>Fastener Caution</u> .</p> <p>Tighten 52 N.m (38 lb ft)</p>
2	Rear Seat (Buckle Side) Belt Assembly TIP: Tilt 60 percent split forward to access 40 percent split assembly.
3	Rear Seat (Buckle Side) Belt Assembly Cover
4	Rear Seat (Buckle Side) Belt Assembly Cover Retainer (Qty: 2)

REAR SEAT NUMBER 2 BUCKLE SIDE BELT REPLACEMENT

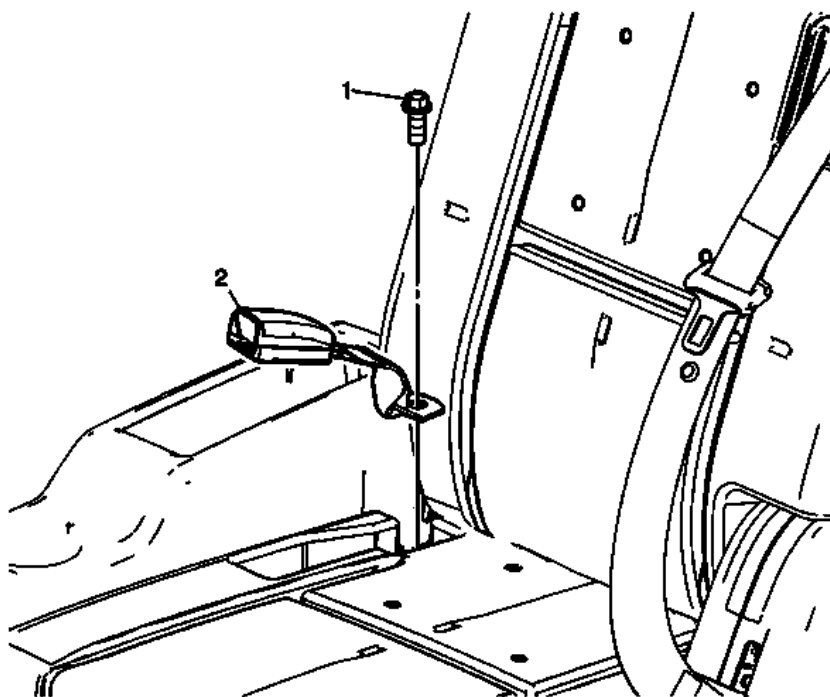


Fig. 8: View Of Rear Seat Belt Buckle & Components
Courtesy of GENERAL MOTORS COMPANY

Rear Seat Number 2 Buckle Side Belt Replacement

Callout	Component Name
Preliminary Procedure	
1.	Remove third row seat. Refer to <u>3rd Row Seat Removal and Installation (Suburban/Yukon XL)</u> , <u>3rd Row Seat Removal and Installation (Tahoe/Yukon/Escalade)</u> .
2.	Remove seat back pad and cover. Refer to <u>3rd Row Seat Back Cover and Pad Replacement</u> .
	Rear Seat No.2 (Buckle Side) Belt Bolt

2013 Chevrolet Avalanche

2013 RESTRAINTS Seat Belts - Avalanche, Escalade, Tahoe, Suburban & Yukon

1	<p>CAUTION: Refer to <u>Fastener Caution</u> .</p> <p>Tighten 52 N.m (38 lb ft)</p>
2	Rear Seat No.2 (Buckle Side) Belt Assembly

FRONT SEAT BELT GUIDE ADJUSTER REPLACEMENT

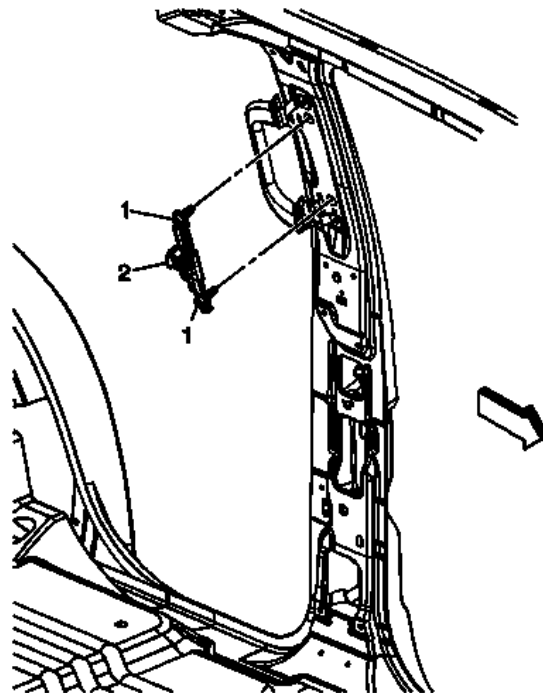


Fig. 9: Shoulder Belt Guide Adjuster Assembly & Bolts
Courtesy of GENERAL MOTORS COMPANY

Front Seat Belt Guide Adjuster Replacement

Callout	Component Name
Preliminary Procedure	
1.	Remove front door sill plate. Refer to <u>Front Side Door Sill Trim Plate Replacement</u> .
2.	Remove rear door sill plate. Refer to <u>Rear Side Door Sill Trim Plate Replacement (Extended Wheelbase)</u> , <u>Rear Side Door Sill Trim Plate Replacement (Standard Wheelbase)</u> .
3.	Remove front seat shoulder belt adjuster cover. Refer to <u>Seat Belt Height Adjuster Knob Replacement - Front</u> .
4.	Remove center pillar lower garnish molding. Refer to <u>Center Pillar Lower Garnish Molding Replacement</u> .

2013 Chevrolet Avalanche

2013 RESTRAINTS Seat Belts - Avalanche, Escalade, Tahoe, Suburban & Yukon

5. Remove center pillar upper garnish molding. Refer to **Center Pillar Upper Garnish Molding Replacement** .
6. Remove front seat belt. Refer to **Seat Belt Retractor Pretensioner Replacement - Front** .

1	Front Seat Shoulder Belt Guide Adjuster Bolt (Qty: 2) CAUTION: Refer to <u>Fastener Caution</u> . Tighten 50 N.m (37 lb ft)
2	Front Seat Shoulder Belt Guide Adjuster Assembly

SEAT BELT HEIGHT ADJUSTER KNOB REPLACEMENT - FRONT

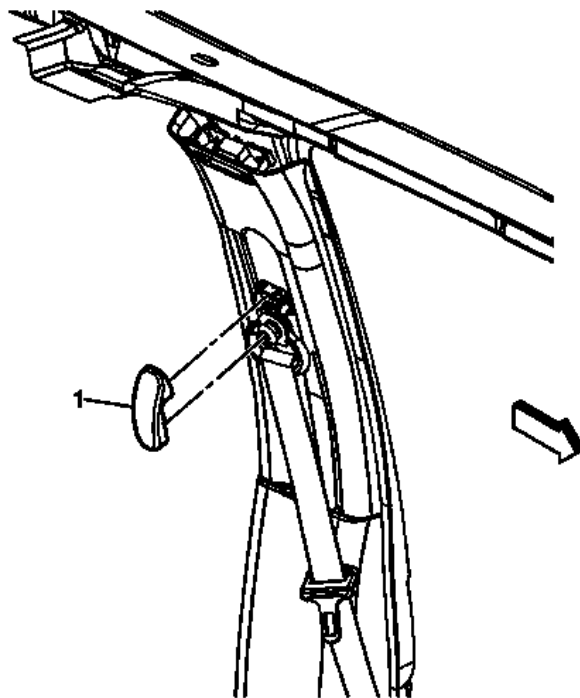


Fig. 10: View Of Front Seat Belt Height Adjuster Knob
 Courtesy of GENERAL MOTORS COMPANY

Seat Belt Height Adjuster Knob Replacement - Front

Callout	Component Name
1	Front Seat Belt Height Adjuster Knob

SEAT BELT RETRACTOR REPLACEMENT - NO. 1 REAR (STANDARD WHEELBASE)

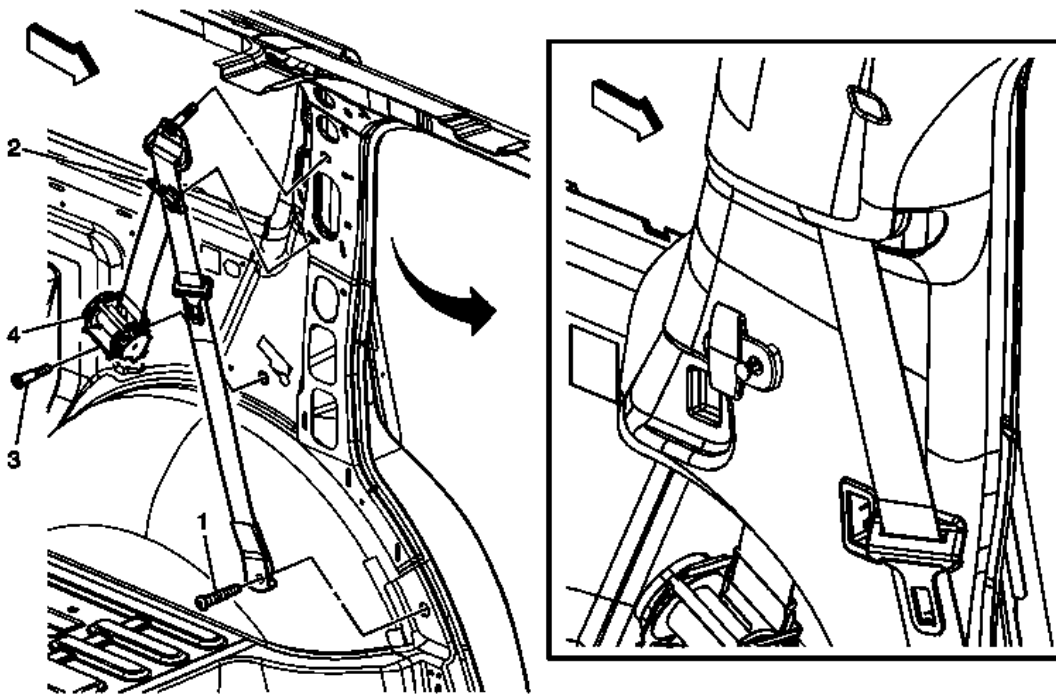


Fig. 11: View Of Rear Seat Belt Retractor Assembly & Components
 Courtesy of GENERAL MOTORS COMPANY

Seat Belt Retractor Replacement - No. 1 Rear (Standard Wheelbase)

Callout	Component Name
<p>Preliminary Procedure</p> <ol style="list-style-type: none"> 1. Disable roof rail SIR system. Refer to SIR Disabling and Enabling . 2. Remove rear side door sill plate. Refer to Rear Side Door Sill Trim Plate Replacement (Extended Wheelbase) , Rear Side Door Sill Trim Plate Replacement (Standard Wheelbase) . 3. Remove body lock pillar garnish molding. Refer to Body Lock Pillar Garnish Molding Replacement (Standard Wheelbase) , Body Lock Pillar Garnish Molding Replacement (Avalanche/Escalade EXT) , Body Lock Pillar Garnish Molding Replacement (Extended Wheelbase) . 	
<p>1</p>	<p>Rear Seat Shoulder Belt Anchor Bolt</p> <p>CAUTION: Refer to Fastener Caution .</p> <p>Tighten 43 N.m (32 lb ft)</p>
<p>2</p>	<p>Rear Seat Shoulder Belt Guide</p>
	<p>Rear Seat Shoulder Belt Retractor Bolt</p>

2013 Chevrolet Avalanche

2013 RESTRAINTS Seat Belts - Avalanche, Escalade, Tahoe, Suburban & Yukon

3	Tighten 43 N.m (32 lb ft)
4	Rear Seat Shoulder Belt Retractor Assembly

SEAT BELT RETRACTOR REPLACEMENT - NO. 1 REAR (AVALANCHE/ESCALADE EXT)

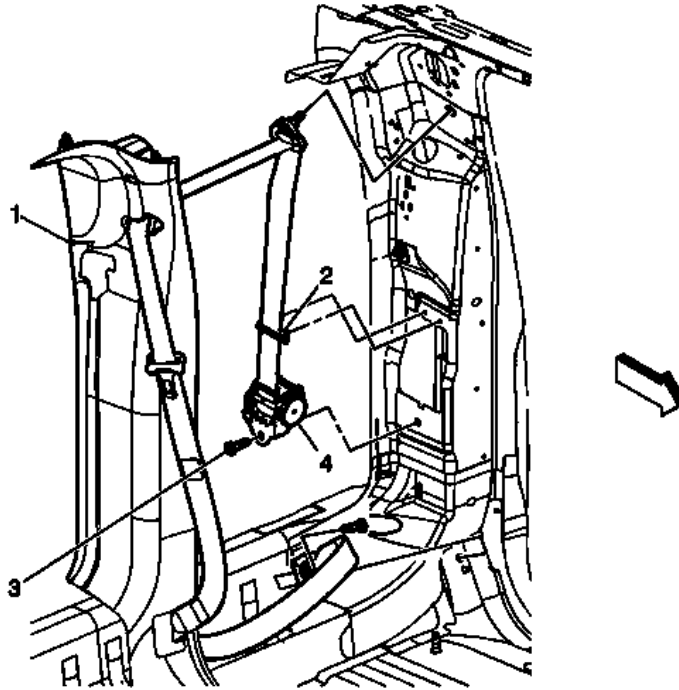


Fig. 12: View Of Seat Belt Retractor Assembly & Components
Courtesy of GENERAL MOTORS COMPANY

Seat Belt Retractor Replacement - No. 1 Rear (Avalanche/Escalade EXT)

Callout	Component Name
Preliminary Procedure	
1. Disable roof rail SIR system. Refer to SIR Disabling and Enabling . 2. Remove rear side door sill plate. Refer to Rear Side Door Sill Trim Plate Replacement (Extended Wheelbase) , Rear Side Door Sill Trim Plate Replacement (Standard Wheelbase) .	
1	Body Lock Pillar Garnish Molding Assembly Refer to Body Lock Pillar Garnish Molding Replacement (Standard Wheelbase) , Body Lock Pillar Garnish Molding Replacement (Avalanche/Escalade EXT) , Body Lock Pillar Garnish Molding Replacement (Extended Wheelbase) .
2	Rear Seat Shoulder Belt Guide
	Rear Seat Shoulder Belt Retractor Bolt

2013 Chevrolet Avalanche

2013 RESTRAINTS Seat Belts - Avalanche, Escalade, Tahoe, Suburban & Yukon

3	<p>CAUTION: Refer to Fastener Caution .</p> <p>Tighten 43 N.m (32 lb ft)</p>
4	Rear Seat Shoulder Belt Retractor Assembly

SEAT BELT RETRACTOR REPLACEMENT - NO. 1 REAR (EXTENDED WHEELBASE)

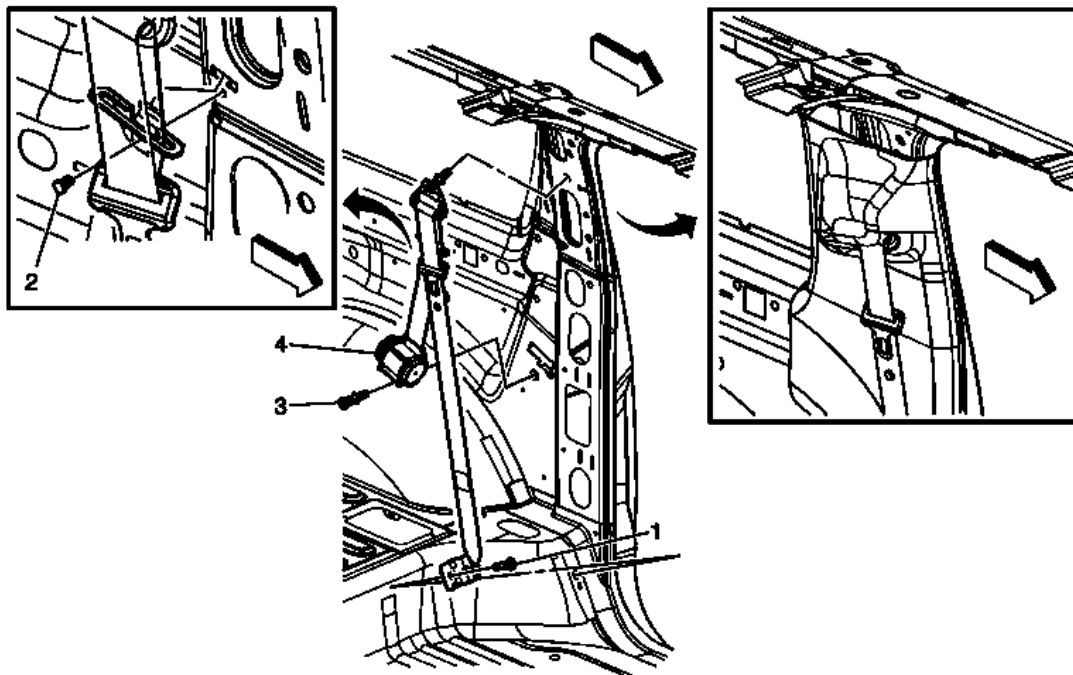


Fig. 13: View Of Rear Seat Belt Retractor Assembly & Components
Courtesy of GENERAL MOTORS COMPANY

Seat Belt Retractor Replacement - No. 1 Rear (Extended Wheelbase)

Callout	Component Name
Preliminary Procedure	
1.	Disable roof rail SIR system. Refer to SIR Disabling and Enabling .
2.	Remove rear side door sill plate. Refer to Rear Side Door Sill Trim Plate Replacement (Extended Wheelbase) , Rear Side Door Sill Trim Plate Replacement (Standard Wheelbase) .
3.	Remove body lock pillar garnish molding. Refer to Body Lock Pillar Garnish Molding Replacement (Standard Wheelbase) , Body Lock Pillar Garnish Molding Replacement (Avalanche/Escalade EXT) , Body Lock Pillar Garnish Molding Replacement (Extended Wheelbase) .

2013 Chevrolet Avalanche

2013 RESTRAINTS Seat Belts - Avalanche, Escalade, Tahoe, Suburban & Yukon

1	Rear Seat Shoulder Belt Anchor Plate Bolt CAUTION: Refer to Fastener Caution . Tighten 43 N.m (32 lb ft)
2	Rear Seat Shoulder Belt Guide Retainer
3	Rear Seat Shoulder Belt Retractor Bolt Tighten 43 N.m (32 lb ft)
4	Rear Seat Shoulder Belt Retractor Assembly

REAR SEAT CENTER RETRACTOR SIDE BELT REPLACEMENT (SPLIT BENCH)

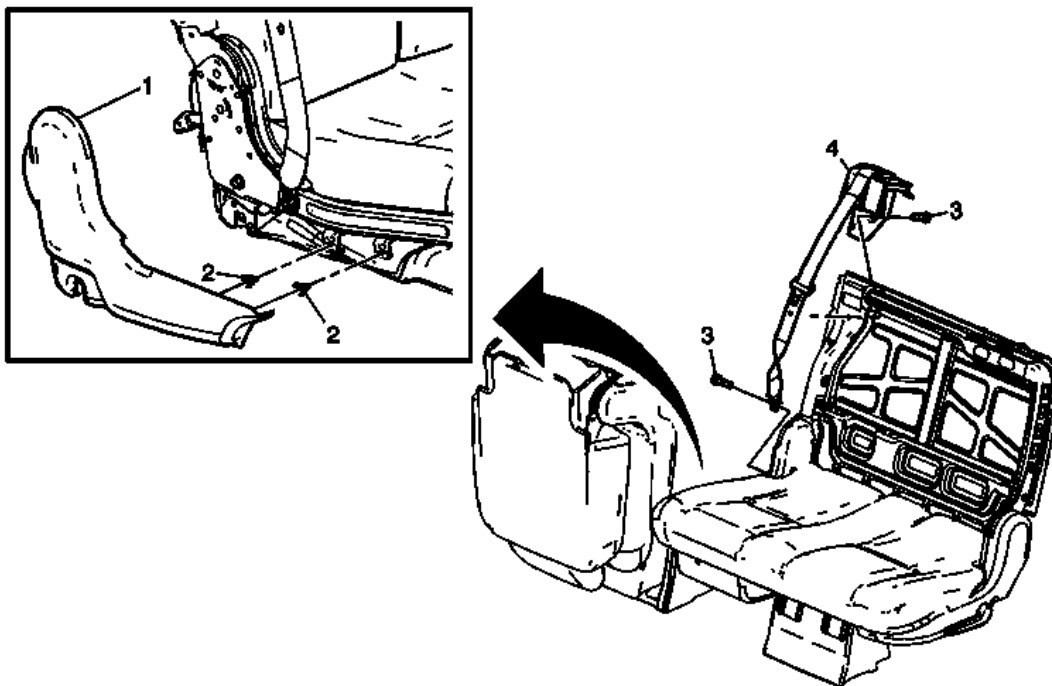


Fig. 14: View Of Rear Seat Center Belt Assembly & Components
 Courtesy of GENERAL MOTORS COMPANY

Rear Seat Center Retractor Side Belt Replacement (Split Bench)

Callout	Component Name
Preliminary Procedure	
1.	Remove rear bench seat. Refer to Rear Seat Removal and Installation (Avalanche/Escalade EXT) , Rear Seat Removal and Installation (Tahoe/Yukon/Escalade with Split Bench) , Rear