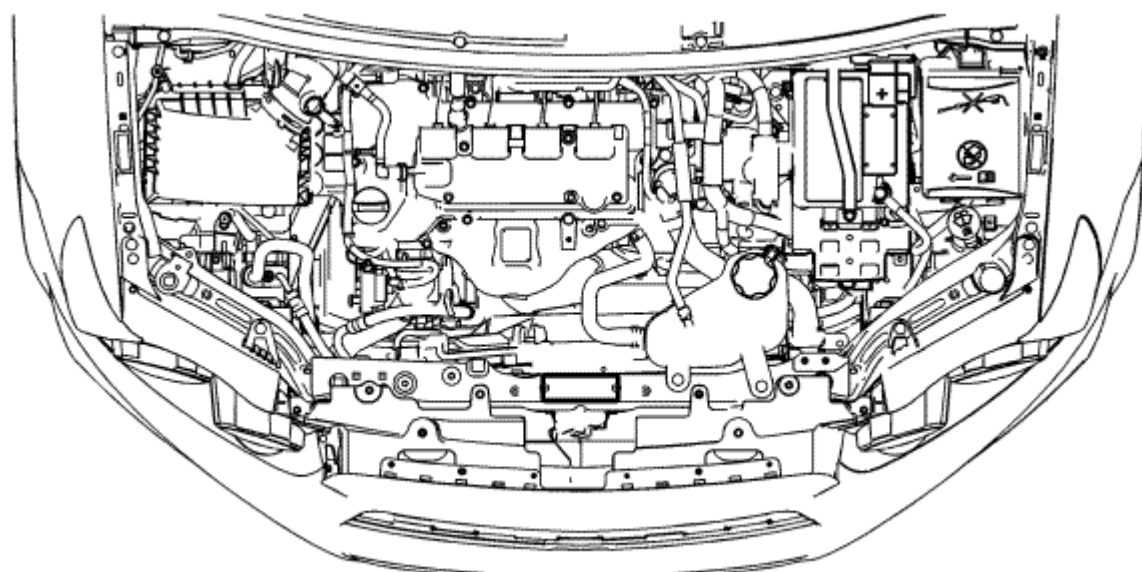


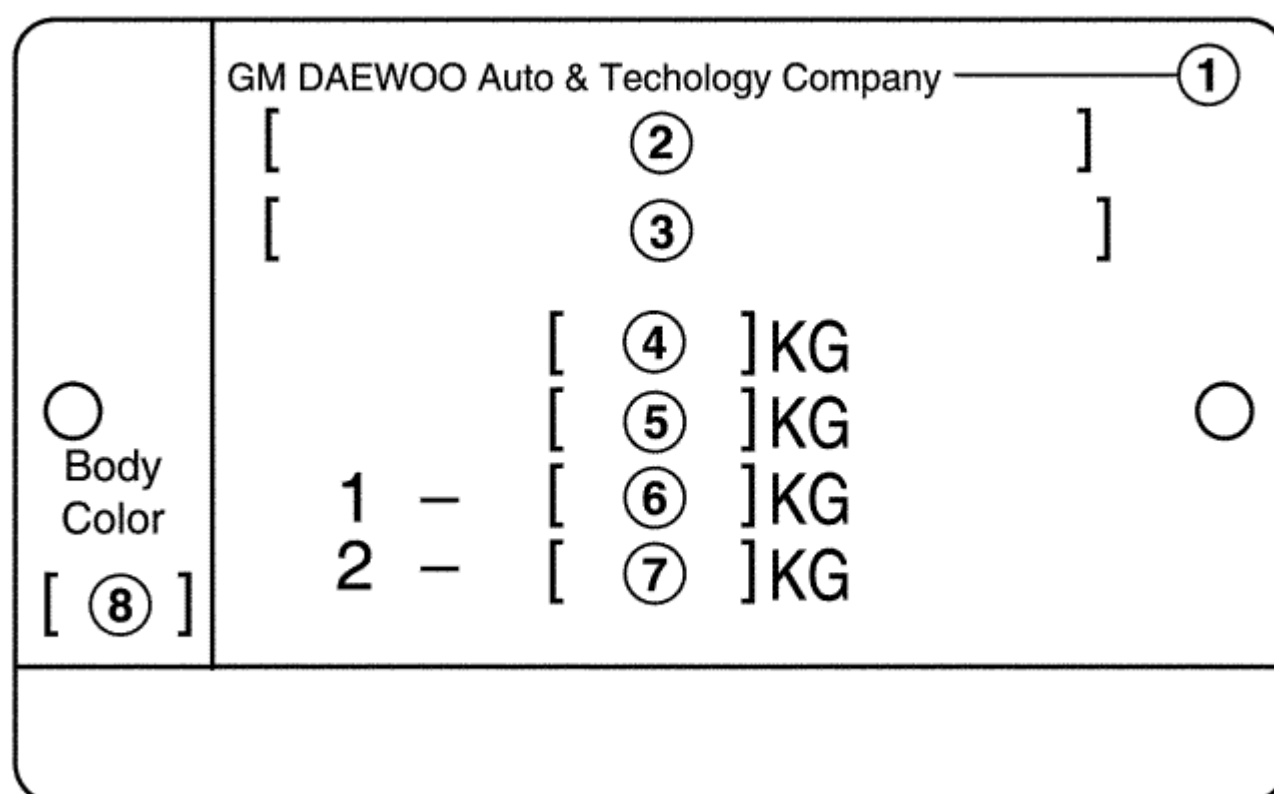
Vehicle Certification, Tyre Placard, Anti-Theft, and Service Parts ID Label

Certification Plate Location



The vehicle identification number (VIN) plate is attached to the top of the front end upper tie bar which is located under the radiator opening upper cover.

Identification Plate Location



- (1) Manufacturer Name
- (2) Whole Vehicle Type Approval Number
- (3) VIN (Vehicle Identification Number)
- (4) GVW
- (5) Combination Weight (GVW + Braked Trailer Weight)
- (6) Maximum Permissible Axle Weight - Front
- (7) Maximum Permissible Axle Weight - Rear
- (8) Body Color

Tyre Placard