

performance will result.

1. Clear all DTCs.
2. Ignition OFF.
3. Install the HVAC actuator.
4. Connect all previously disconnected components.
5. Remove the HVAC control module fuse for a minimum of 10 s.
6. Install the HVAC control module fuse.
7. Start the vehicle.
8. Wait 40 s for the HVAC control module to self-calibrate.

REPAIR INSTRUCTIONS

HEATER AND AIR CONDITIONING CONTROL REPLACEMENT

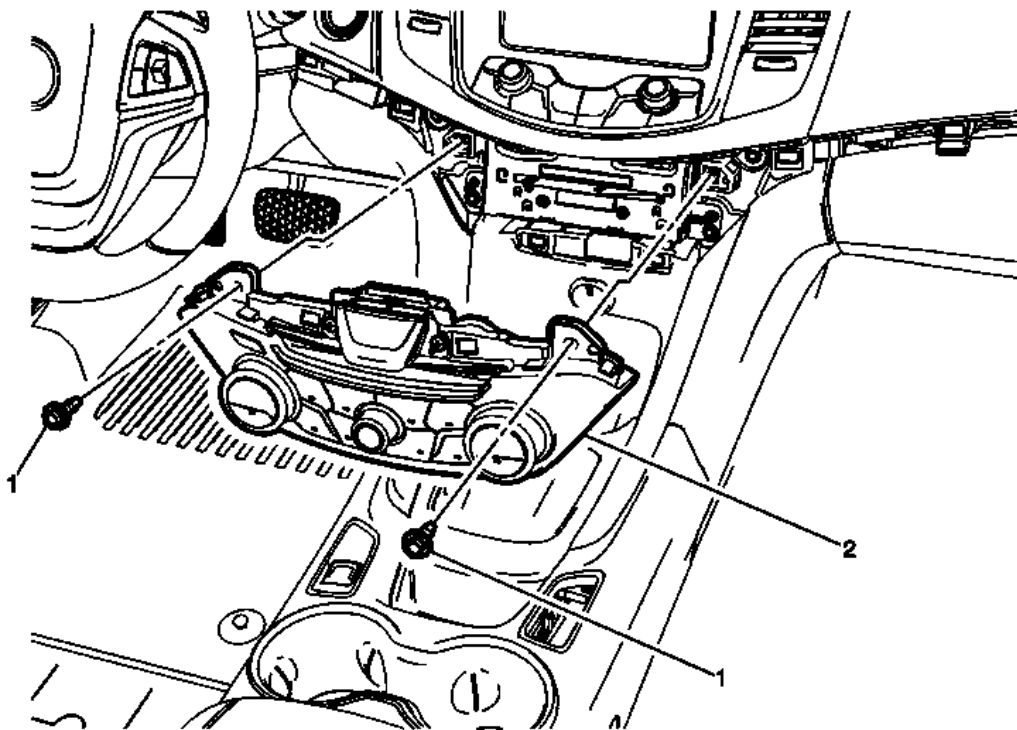


Fig. 6: Heater & Air Conditioning Control
 Courtesy of GENERAL MOTORS COMPANY

Heater and Air Conditioning Control Replacement

Callout	Component Name
Preliminary Procedures	

1. Remove the instrument panel center trim plate applique. Refer to **Instrument Panel Center Trim Plate Applique Replacement** .
2. Remove the right side instrument panel trim plate applique. Refer to **Instrument Panel Trim Plate Applique Replacement - Right Side** .
3. Remove the radio assembly. Refer to **Radio Replacement** .

1	Heater and Air Conditioning Control Fastener (Qty: 2) CAUTION: Refer to Fastener Caution .
2	Heater and Air Conditioning Control Procedure <ol style="list-style-type: none"> 1. Disconnect the heater and air conditioning control electrical connector. 2. Transfer the components as necessary.

HEATER AND AIR CONDITIONING REMOTE CONTROL REPLACEMENT

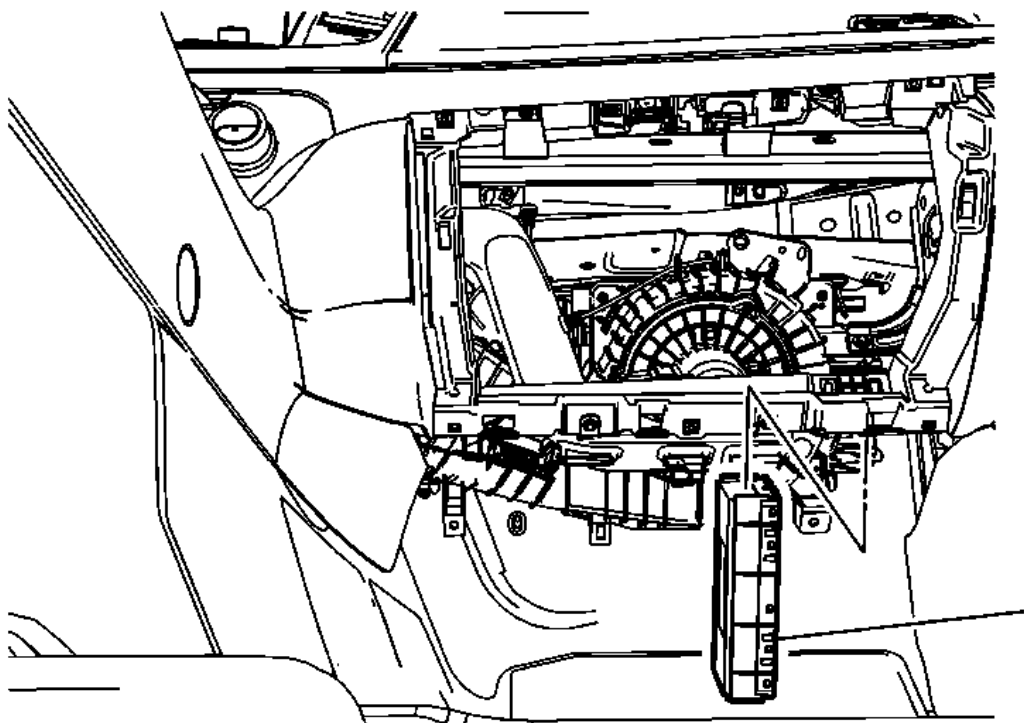


Fig. 7: Heater & Air Conditioning Remote Control
 Courtesy of GENERAL MOTORS COMPANY

Heater and Air Conditioning Remote Control Replacement

Callout	Component Name
---------	----------------

Preliminary Procedure

Remove the instrument panel compartment door opening frame. Refer to **Instrument Panel Compartment Door Opening Frame Replacement**.

<p>1</p>	<p>Heater and Air Conditioning Remote Control</p> <p>Procedures</p> <ol style="list-style-type: none"> 1. Unclip the heater and air conditioning remote control from the blower case retainers. 2. Maneuver the heater and air conditioning remote control out and down from behind the instrument panel assembly. 3. Disconnect the heater and air conditioning remote control electrical connectors.
----------	--

AIR INLET VALVE LEVER REPLACEMENT - FRONT

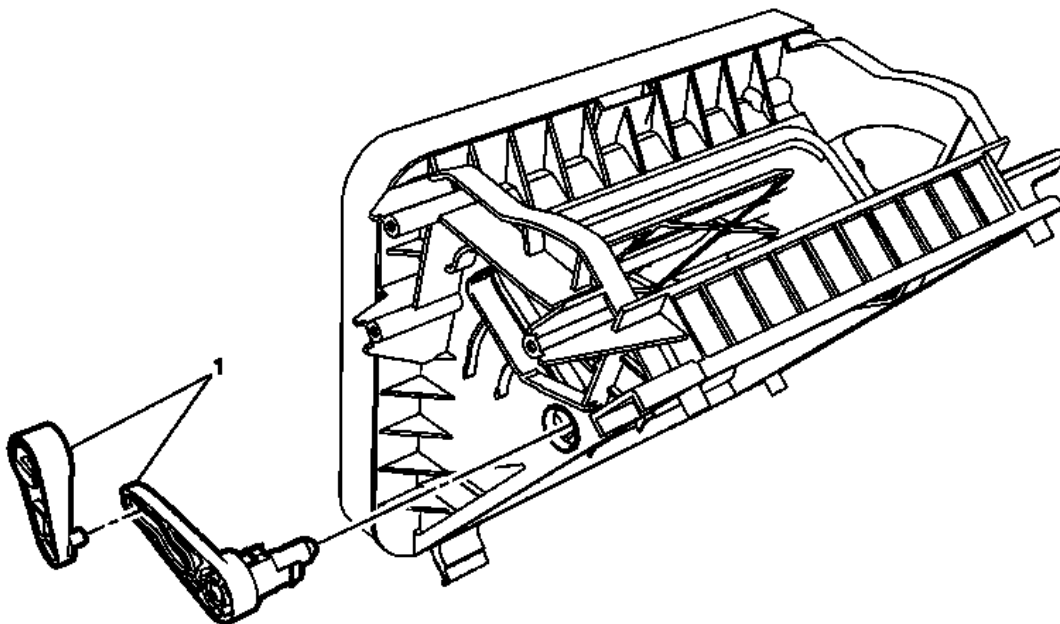


Fig. 8: Air Inlet Valve Levers
 Courtesy of GENERAL MOTORS COMPANY

Air Inlet Valve Lever Replacement - Front

Callout	Component Name
<p>Preliminary Procedure Remove the fresh air recirculation mode valve actuator motor. Refer to Mode Valve Actuator Motor Replacement - Fresh Air Recirculation.</p>	
<p>1</p>	<p>Air Inlet Valve Lever (Qty: 2)</p>

MODE VALVE ACTUATOR MOTOR REPLACEMENT (REAR)

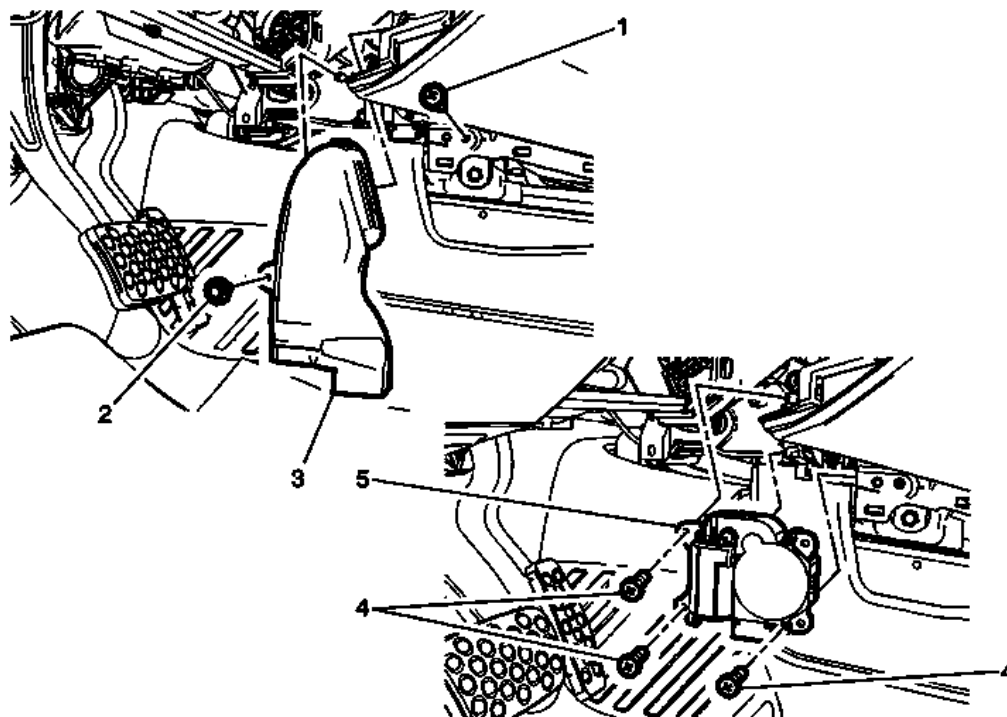


Fig. 9: Mode Valve Actuator Motor, Fasteners & Floor Air Duct Components (Rear)
 Courtesy of GENERAL MOTORS COMPANY

Mode Valve Actuator Motor Replacement (Rear)

Callout	Component Name
Preliminary Procedures	
1. Remove the driver side instrument panel lower airbag. Refer to Instrument Panel Lower Airbag Replacement - Driver Side . 2. Remove the left side front floor console extension panel. Refer to Front Floor Console Extension Panel Replacement - Left Side .	
1	Instrument Panel Fastener CAUTION: Refer to Fastener Caution .
2	Rear Floor Air Duct Bolt Tighten 2.5 (22 lb in)
3	Front Rear Floor Air Duct Procedure Maneuver the front rear floor air duct from the center instrument panel area.
4	Mode Valve Actuator Motor Fastener (Qty :3)

Mode Valve Actuator Motor - Rear

5

Procedures

1. Disconnect the rear mode valve actuator motor electrical connector.
2. Perform the actuator calibration procedure. Refer to **Actuator Recalibration**.

MODE VALVE ACTUATOR MOTOR REPLACEMENT - LEFT SIDE AIR MIX

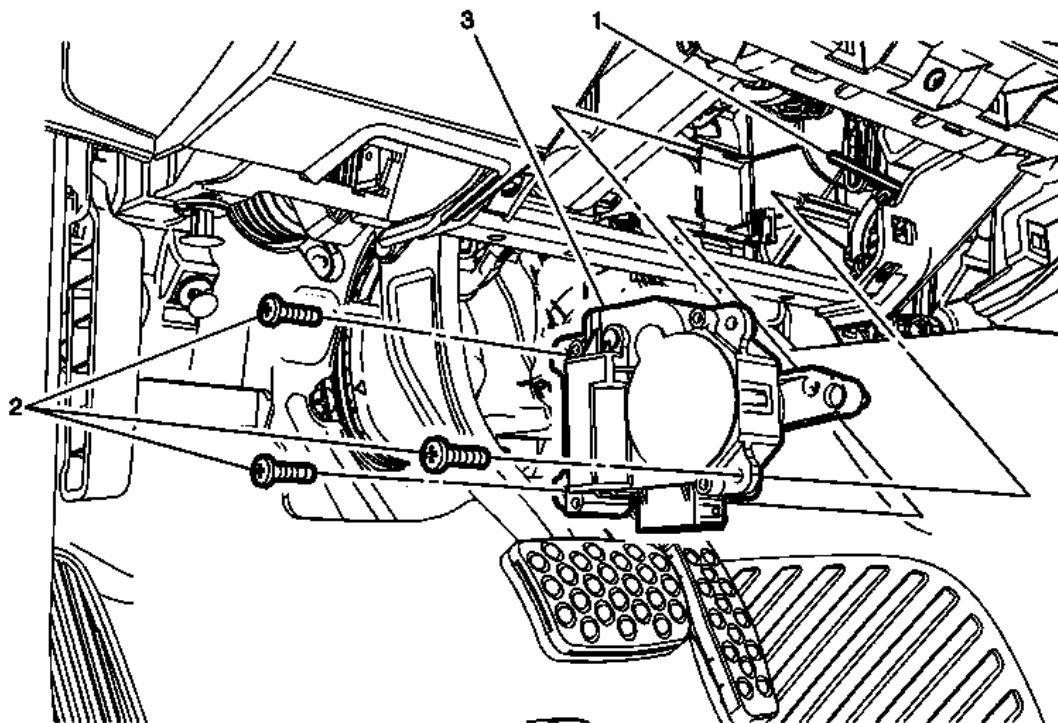


Fig. 10: Mode Valve Actuator Motor & Fasteners - Left Side Air Mix

Courtesy of GENERAL MOTORS COMPANY

Mode Valve Actuator Motor Replacement - Left Side Air Mix

Call out	Component Name
Preliminary Procedures	
<ol style="list-style-type: none"> 1. Remove the left side front floor air outlet duct. Refer to Floor Front Air Outlet Duct Replacement - Left Side. 2. Disconnect the range selector lever cable from the transmission control assembly and the bracket. Refer to Range Selector Lever Cable Replacement. 	
1	Air Mix Mode Rod Link
2	Mode Valve Actuator Motor Fastener (Qty: 3)