

Fig. 21: Exhaust Seal Replacement - Right Side Seal
Courtesy of GENERAL MOTORS COMPANY

1. If the right side seal was removed, Perform the following:
 1. Position the catalytic converter rearward enough in order to allow clearance to install the seal.
 2. Install a NEW exhaust manifold seal (1).

CAUTION: Refer to Fastener Caution .

3. Install the catalytic converter to exhaust manifold nuts (2) and tighten to 50 N.m (37 lb ft).

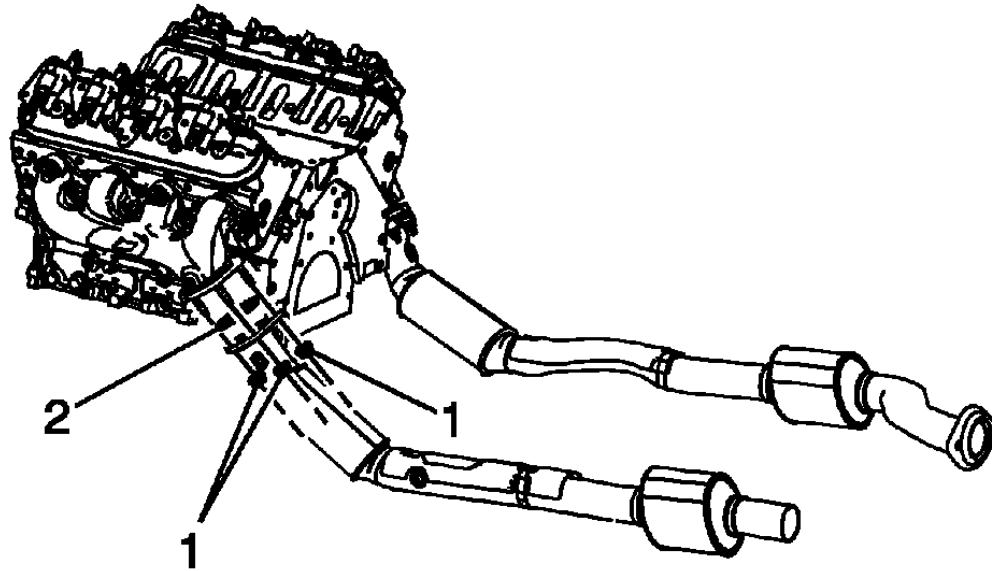


Fig. 22: Exhaust Seal Replacement -left Side Seal
Courtesy of GENERAL MOTORS COMPANY

2. If removing the left side seal, perform the following:
 1. Position the catalytic converter rearward enough in order to allow clearance to install the seal.
 2. Install a NEW exhaust manifold seal (2).
 3. Install the catalytic converter to exhaust manifold nuts (1) and tighten to 50 N.m (37 lb ft).
3. Connect the muffler assembly to the catalytic converters. Refer to **Exhaust Muffler Replacement (LH9)**.
4. Lower the vehicle.
5. Inspect for exhaust leaks.

CATALYTIC CONVERTER REPLACEMENT (2WD)

Removal Procedure

WARNING: Refer to **Exhaust Service Warning** .

WARNING: Refer to Protective Goggles and Glove Warning .

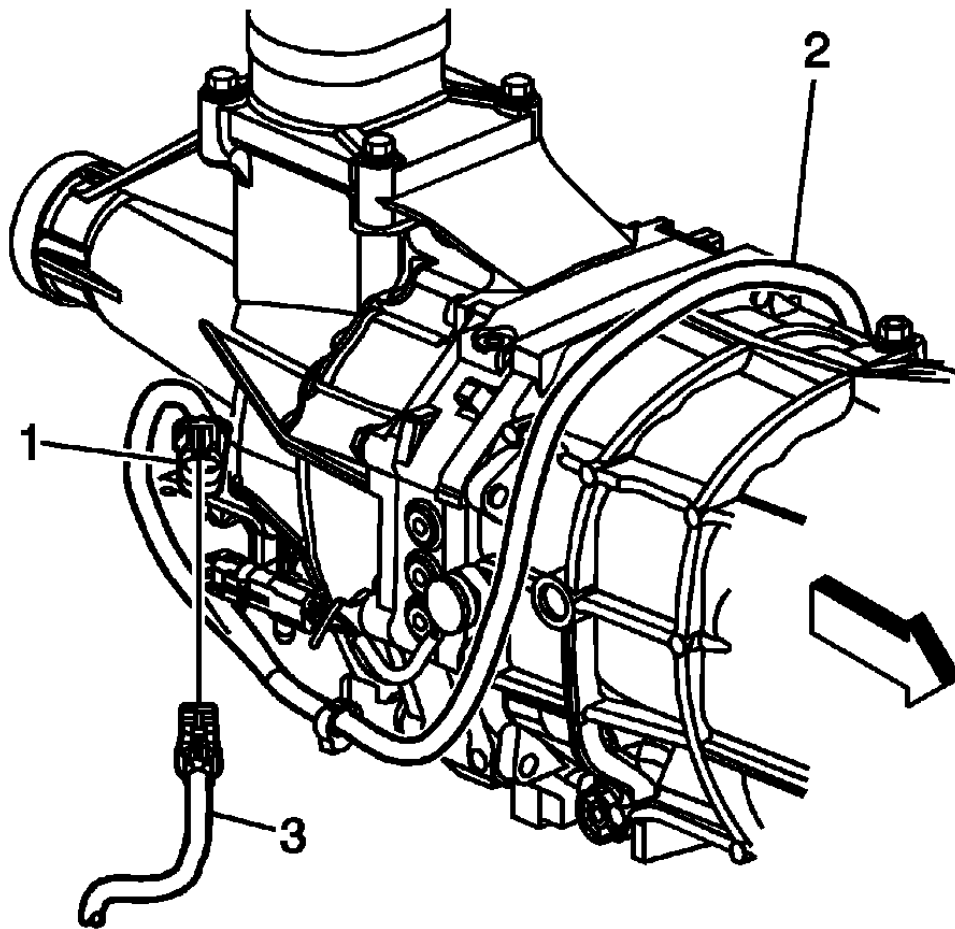


Fig. 23: View Of HO2S Electrical Connector
Courtesy of GENERAL MOTORS COMPANY

1. Raise and support the vehicle. Refer to Lifting and Jacking the Vehicle .
2. Disconnect the heated oxygen sensor (HO2S) at the sensor pigtail (3).
3. Remove the HO2S if replacement is necessary. Refer to Heated Oxygen Sensor Replacement - Sensor 2 , for the 2.9L engine or Heated Oxygen Sensor Replacement - Sensor 2 for the 3.7L engine.

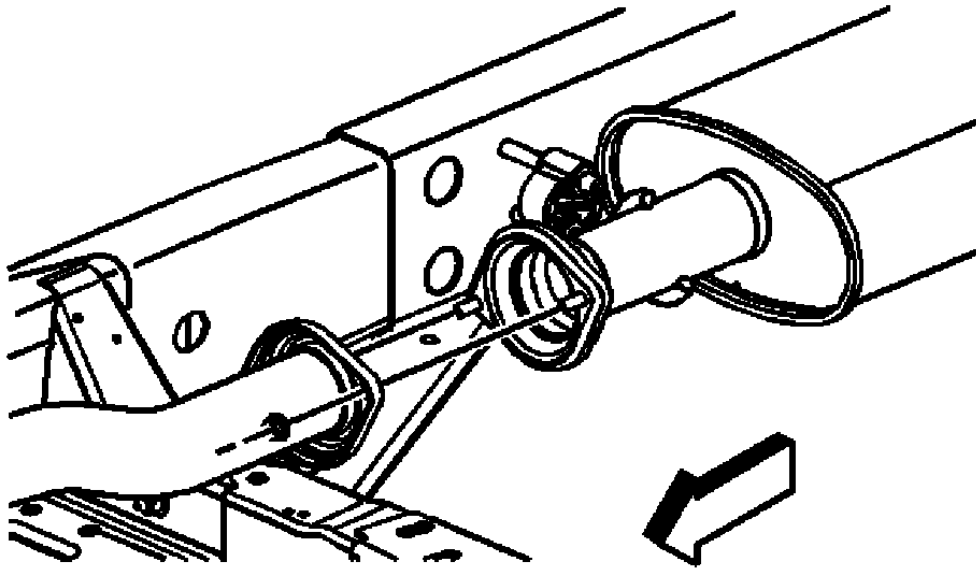


Fig. 24: Exhaust Pipe To Muffler Joint
Courtesy of GENERAL MOTORS COMPANY

4. Remove the nuts securing the muffler to the catalytic converter.
5. Position the muffler rearward, enough to allow the studs located in the front to clear the catalytic converter pipe flange.

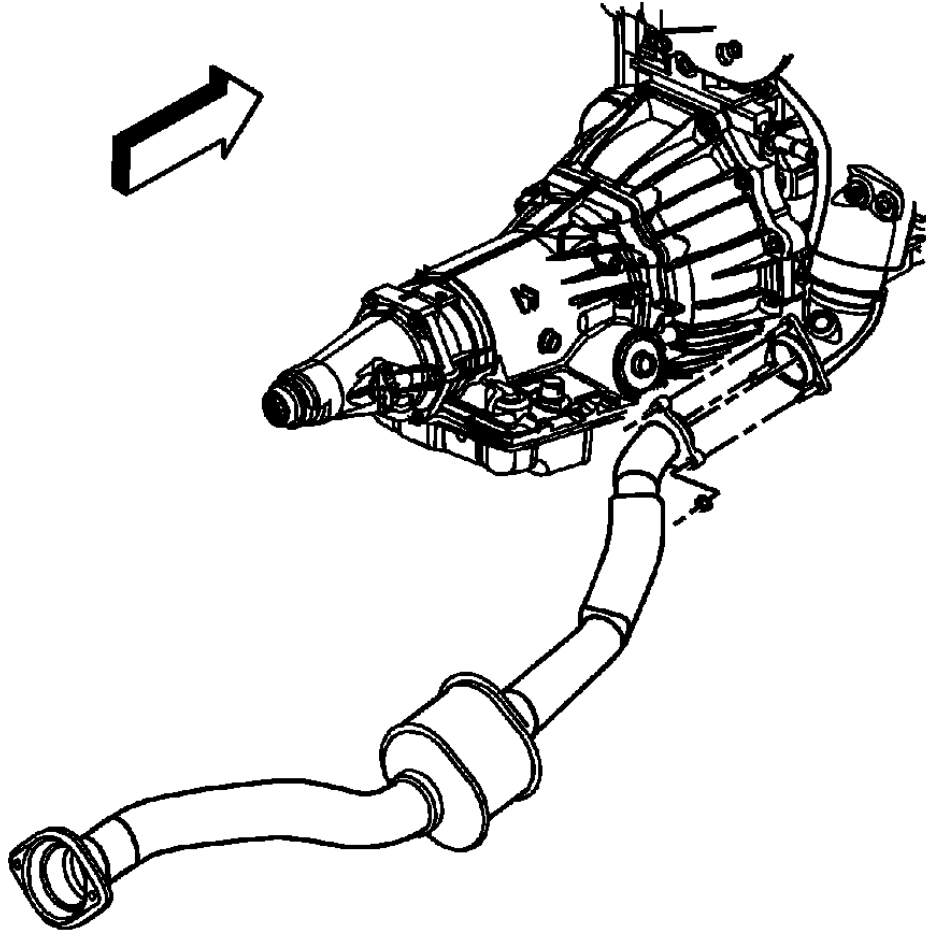


Fig. 25: View Of Catalytic Converter
Courtesy of GENERAL MOTORS COMPANY

6. Remove the 3 nuts attaching the catalytic converter to the exhaust manifold.
7. Lower the catalytic converter from the vehicle.

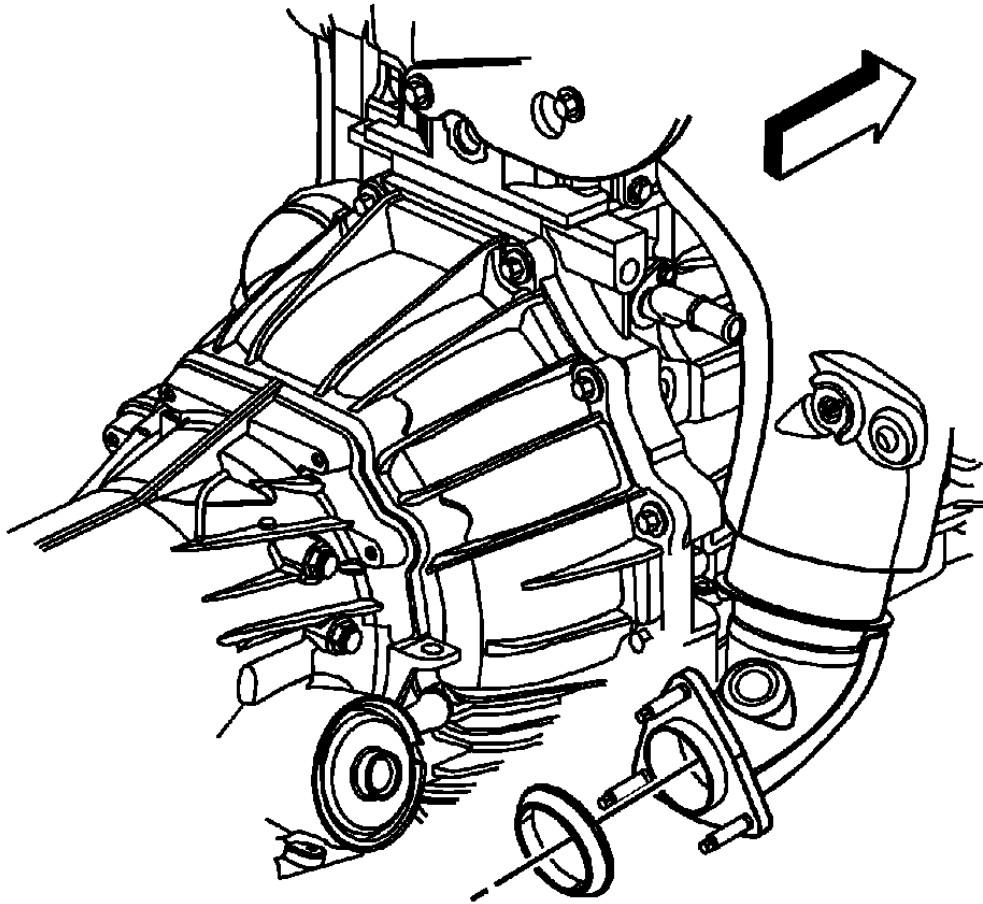


Fig. 26: View Of Exhaust Manifold Seal
Courtesy of GENERAL MOTORS COMPANY

8. Remove the exhaust manifold seal from the exhaust manifold flange. Discard the seal.

Installation Procedure