

COAXIAL CABLE REPLACEMENT - DIGITAL RADIO (COUPE)

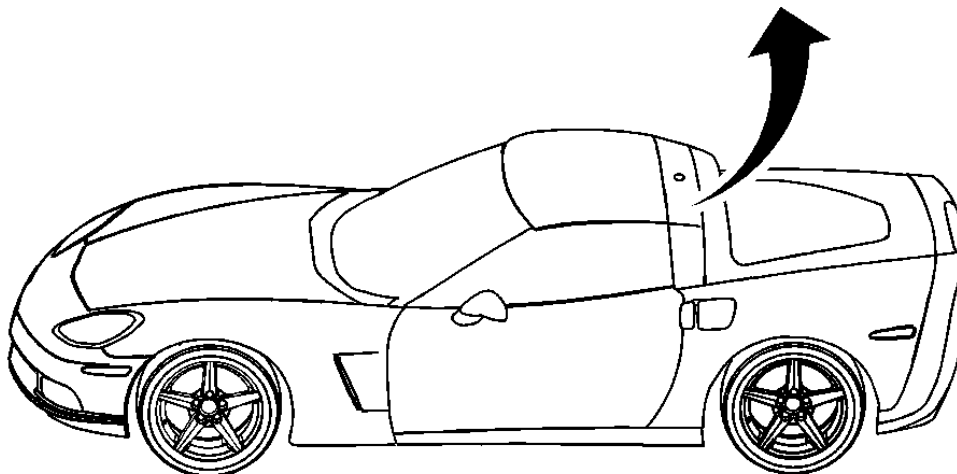
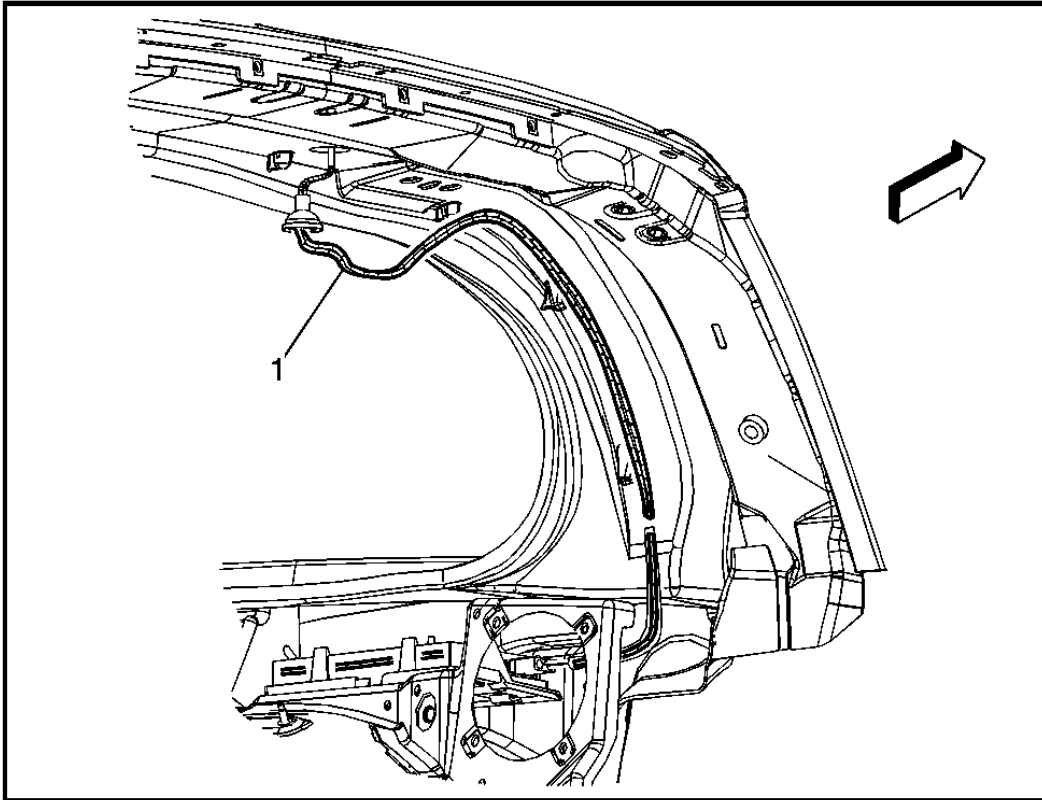


Fig. 23: Replacing Digital Radio Coaxial Cable (Coupe)
Courtesy of GENERAL MOTORS CORP.

Coaxial Cable Replacement - Digital Radio (Coupe)

Callout	Component Name
Fastener Tightening Specifications: Refer to <u>Fastener Tightening Specifications</u>.	

Preliminary Procedures

- Remove the rear compartment center trim panel. Refer to **Trim Panel Carpet - Rear Compartment Rear Center** in Interior Trim.
- Remove the rear roof bow trim panel. Refer to **Trim Panel Replacement - Rear Roof Bow** in Interior Trim.

1	Coaxial Cable, Digital Radio
---	------------------------------

SPEAKER REPLACEMENT - FRONT

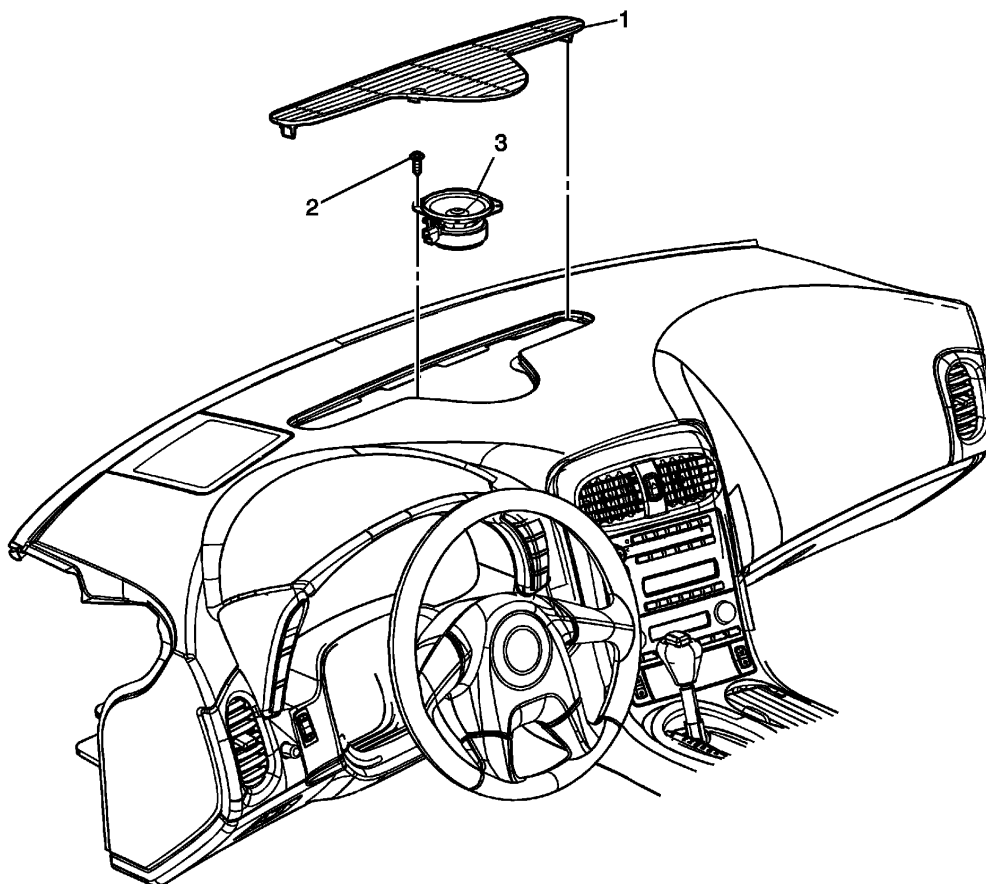


Fig. 24: Replacing Front Speaker
 Courtesy of GENERAL MOTORS CORP.

Speaker Replacement - Front

Callout	Component Name
NOTE: Refer to <u>Fastener Notice</u> in Cautions and Notices.	
Fastener Tightening Specifications: Refer to <u>Fastener Tightening Specifications</u> .	
1	Defroster Grill

	Refer to Defroster Grille Replacement in Instrument Panel, Gages, and Console.
2	Speaker Screws (Qty: 4) Tighten: 2 N.m (18 lb in)
3	Speaker Assembly

SPEAKER REPLACEMENT - REAR (CONVERTIBLE)

Removal Procedure

1. Position the foldable top in the down position.
2. Position the tonneau cover in the up position.

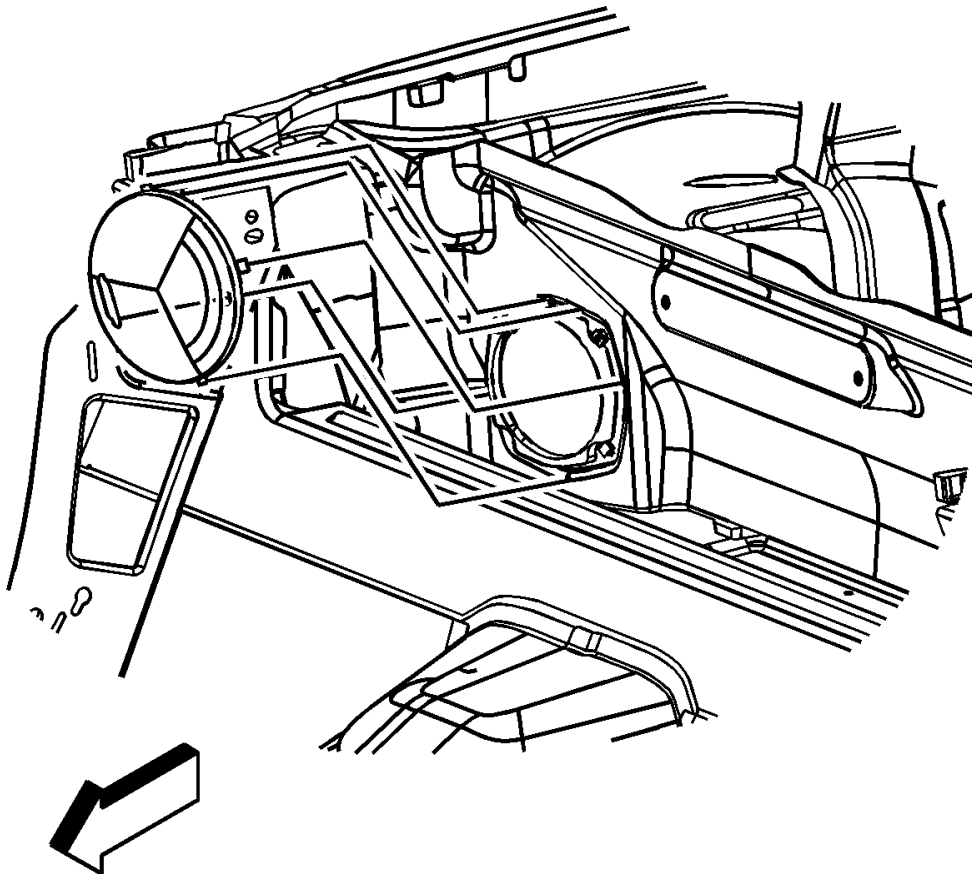


Fig. 25: Locating Speaker Cover
 Courtesy of GENERAL MOTORS CORP.

3. Grasp the speaker cover and firmly pull outward removing the speaker grill from the trim panel.