

Fig. 137: View Of Alternator, Connector And Wiring Harness
Courtesy of GENERAL MOTORS CORP.

25. Disconnect the alternator connector and wiring harness.

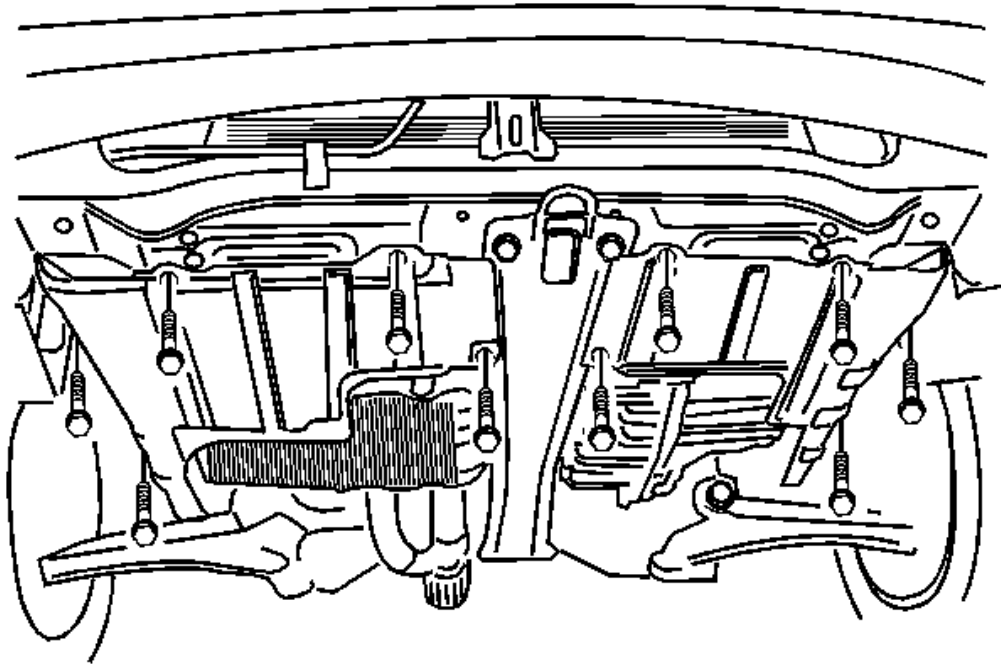


Fig. 138: View Of Engine Undercover And Mounting Bolts
Courtesy of GENERAL MOTORS CORP.

26. Remove the upper and lower radiator hoses.
27. Remove the front wheels.
28. Remove the engine under covers.
29. Remove the front axle shaft. Refer to **Inner Axle Shaft Replacement - Front Drive Axle** in Front Drive Axle.

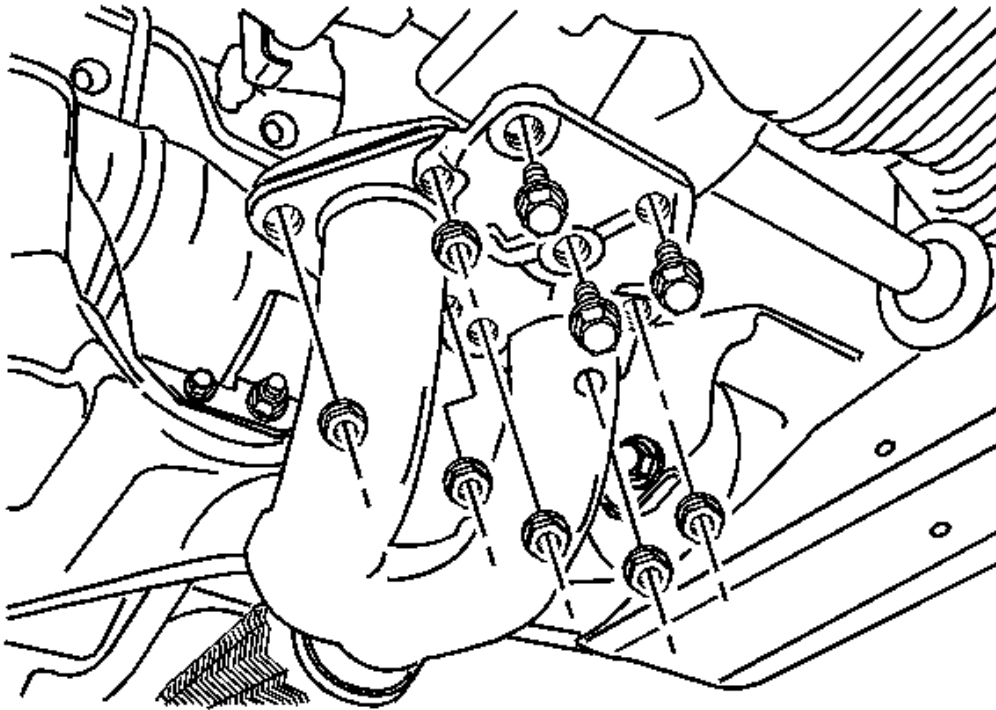


Fig. 139: View Of Front Muffler And Mounting Nuts
Courtesy of GENERAL MOTORS CORP.

30. Remove the front muffler. Refer to **Muffler Replacement (Rear)** or **Muffler Replacement (Front 2.5L)** in Engine Exhaust.

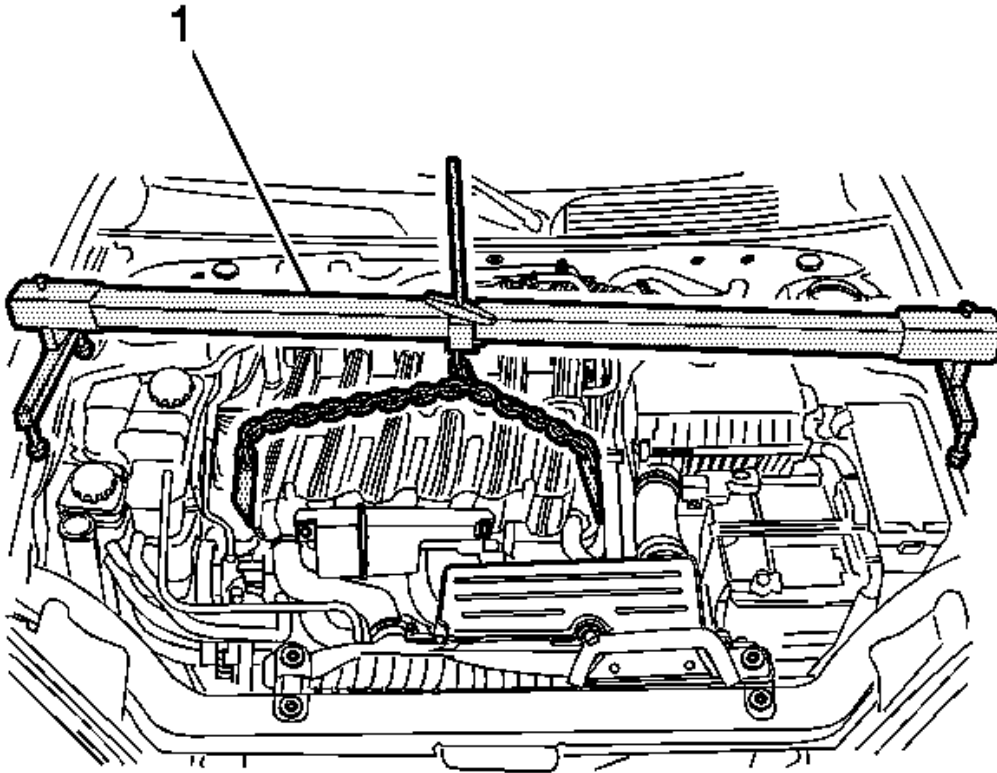


Fig. 140: View Of J 28467-B
Courtesy of GENERAL MOTORS CORP.

NOTE: When raising or supporting the engine for any reason, do not use a jack under the oil pan, any sheet metal, or crankshaft balancer. Jacking against the oil pan may cause it to crack or break.

31. Support the engine assembly using the J 28467-B (1).

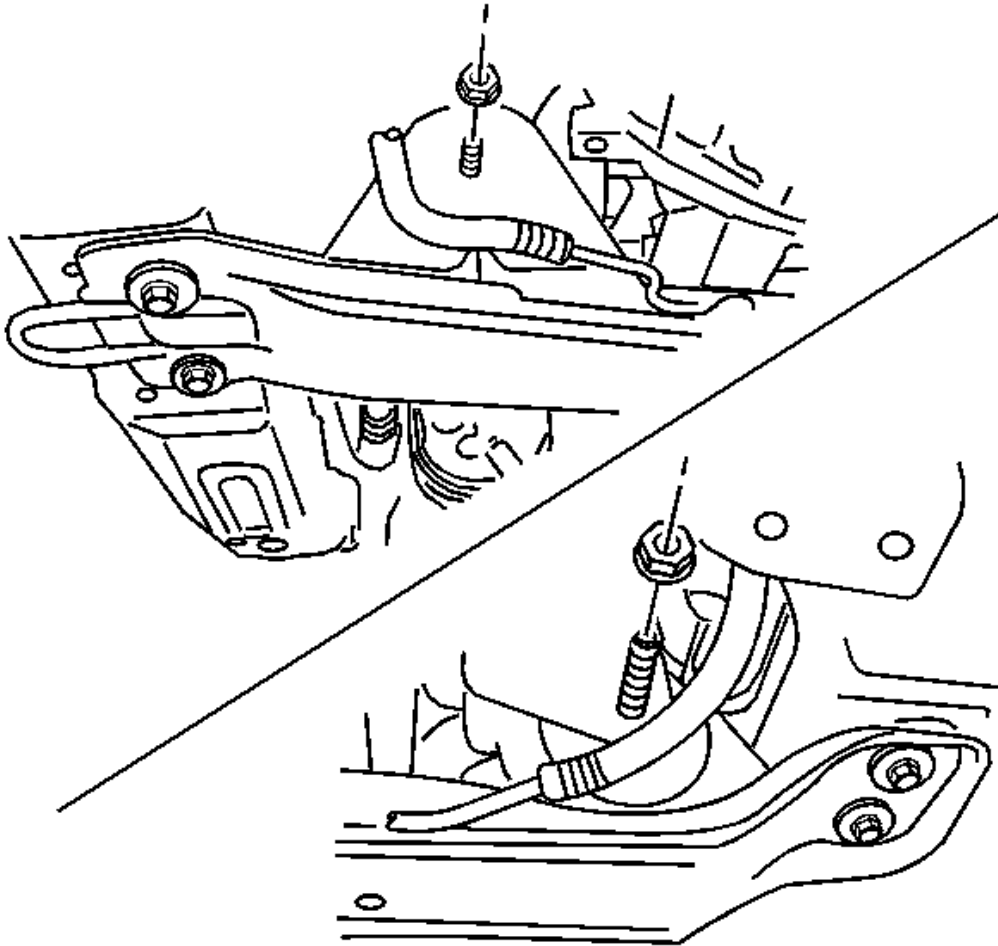


Fig. 141: View Of Front Engine Mount And Rear Transaxle Mount Components
Courtesy of GENERAL MOTORS CORP.

32. Remove the front engine mount bracket-to-damper bush bolt/nut and the rear transaxle mount-to-damper bush bolt/nut.

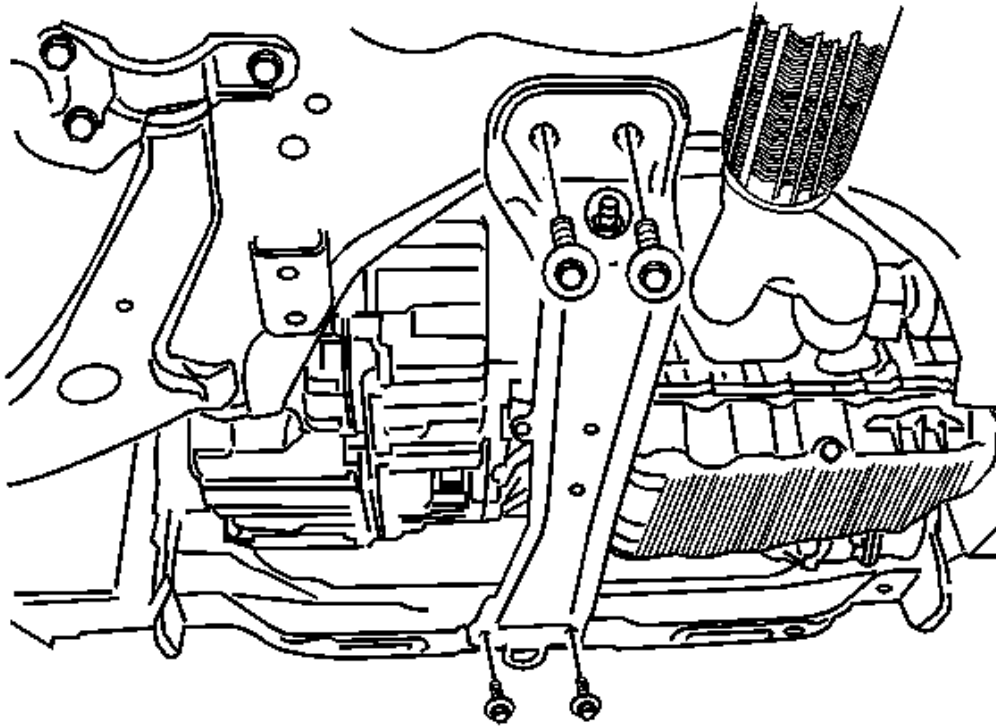


Fig. 142: View Of Center Front Suspension Member And Bolts
Courtesy of GENERAL MOTORS CORP.

33. Remove the center front suspension member bolts and the center front suspension member.

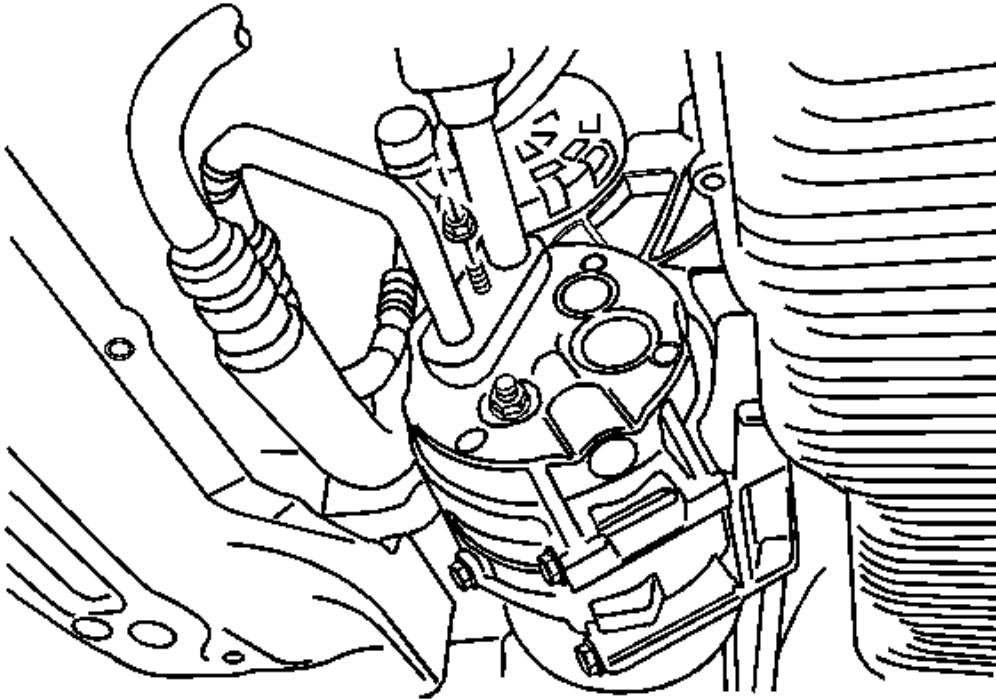


Fig. 143: View Of Compressor And Components
Courtesy of GENERAL MOTORS CORP.

34. Disconnect the connector on the compressor.
35. Disconnect the refrigerant suction and discharge pipe block from the compressor.

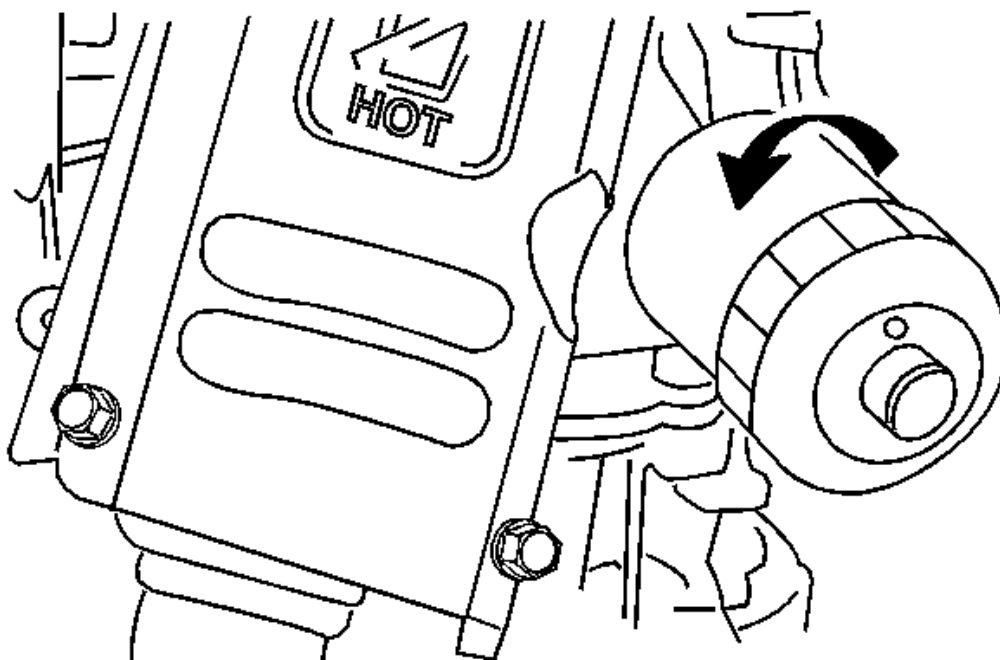


Fig. 144: View Of Oil Filter
Courtesy of GENERAL MOTORS CORP.

36. Remove the oil filter.

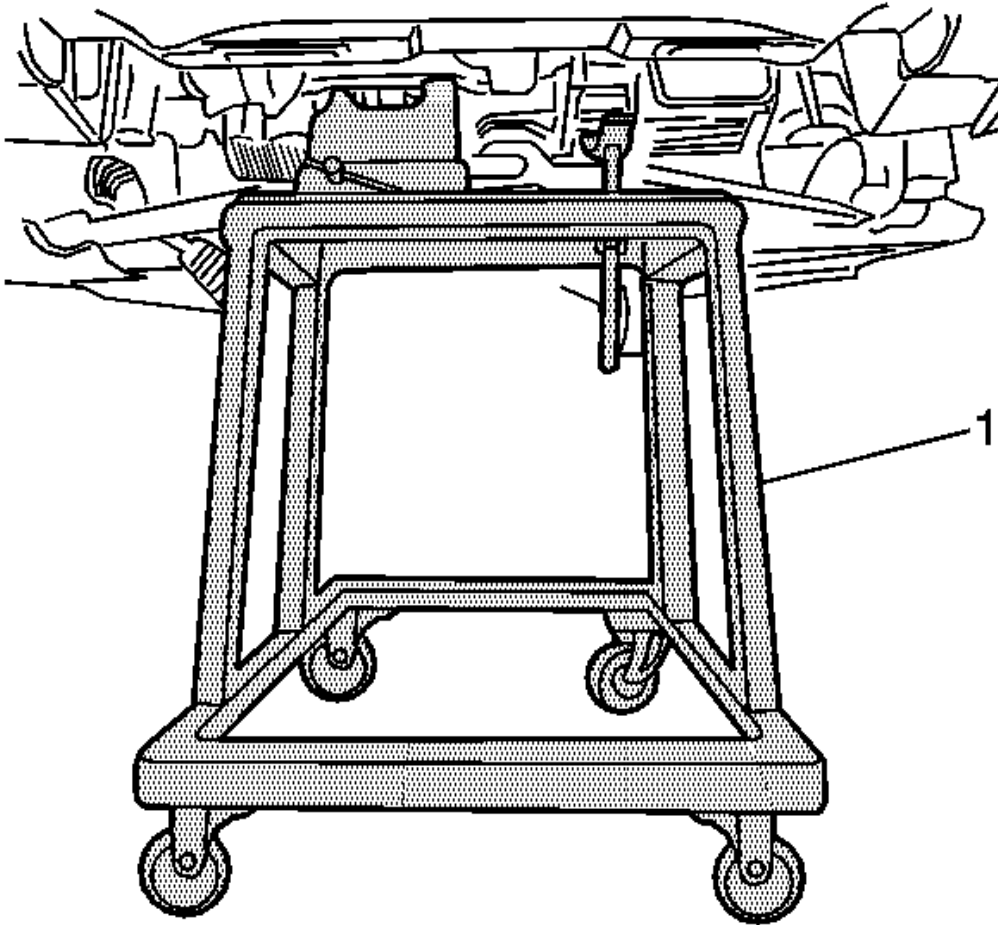


Fig. 145: View Of J 39580
Courtesy of GENERAL MOTORS CORP.

37. Support the engine and transaxle with the **J 39580** . See **Special Tools**.

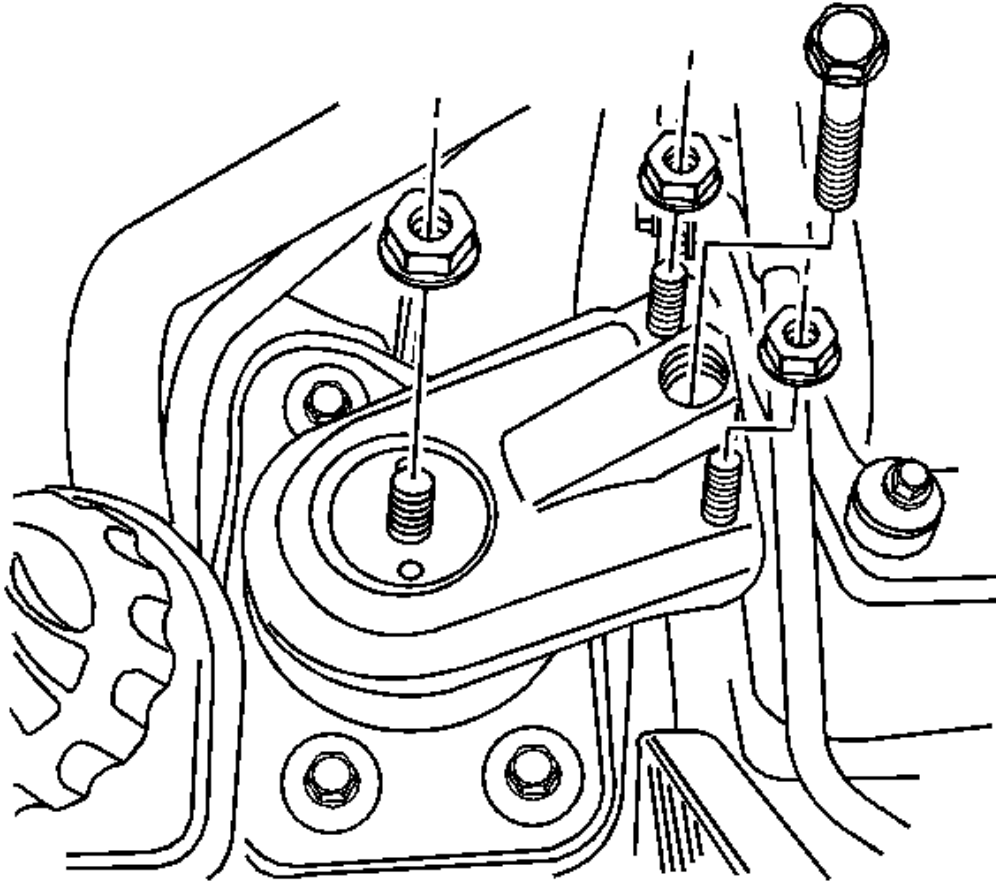


Fig. 146: View Of Engine Mount Bracket And Mounting Components
Courtesy of GENERAL MOTORS CORP.

38. Remove the engine mount bracket- right hand. Refer to **Engine Mount Replacement (Right Side)** or **Engine Mount Replacement (Left Side)**.