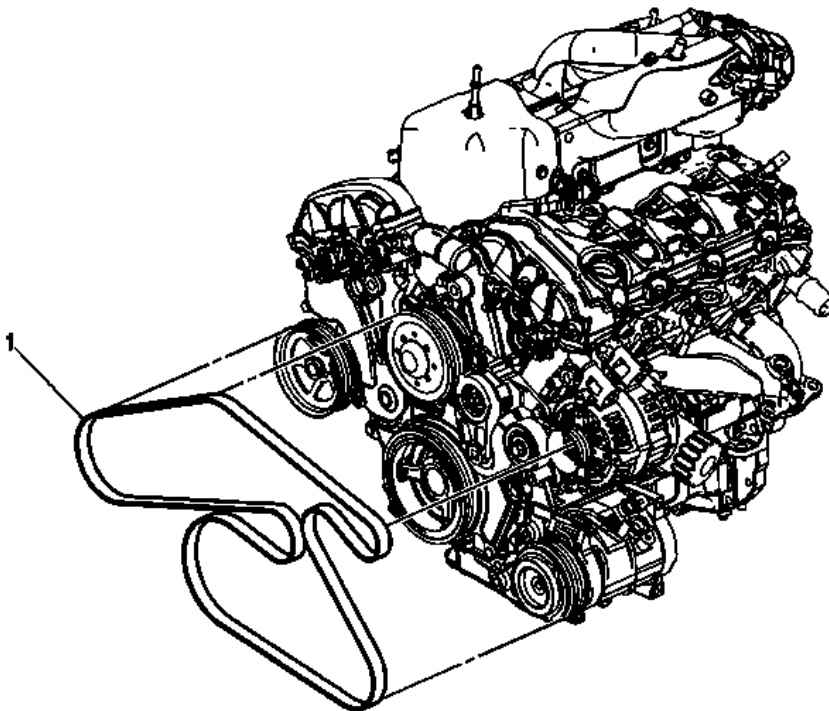


2014 ENGINE

Engine Mechanical - 3.6L (LLT) - Repair Instructions - On Vehicle - Acadia, Enclave And Traverse

REPAIR INSTRUCTIONS - ON VEHICLE

DRIVE BELT REPLACEMENT

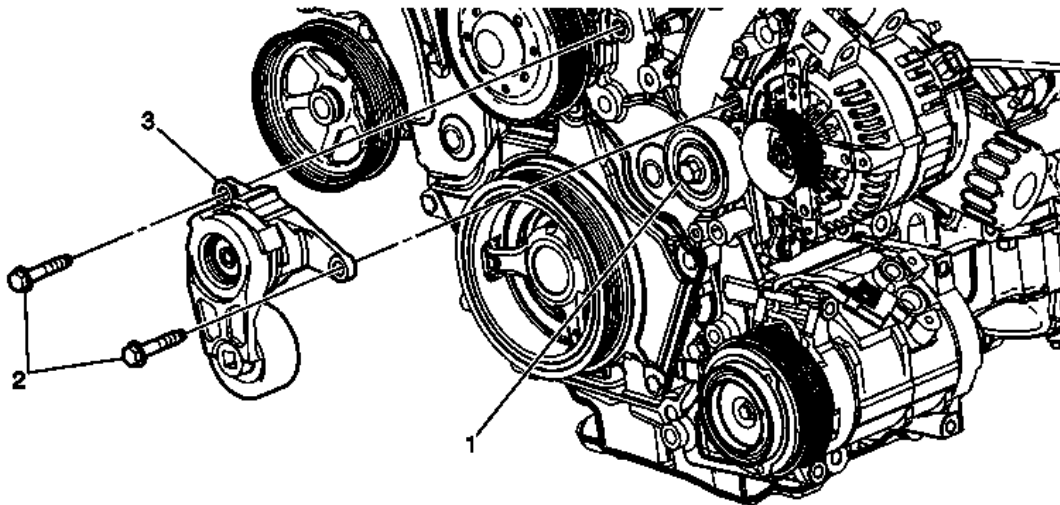


**Fig. 1: Identifying Drive Belt Routing**  
 Courtesy of GENERAL MOTORS COMPANY

Drive Belt Replacement

Callout	Component Name
<b>Preliminary Procedure</b>	
<ol style="list-style-type: none"> <li>1. Remove the front wheelhouse liner. Refer to <b><u>Front Wheelhouse Front Liner Replacement (Acadia, Enclave, Traverse)</u></b> .</li> <li>2. Rotate the drive belt tensioner clockwise to release the drive belt tension.</li> <li>3. Slide the drive belt off of the belt idler pulley.</li> <li>4. Slowly release the drive belt tensioner.</li> </ol>	
1	Drive Belt

DRIVE BELT TENSIONER REPLACEMENT

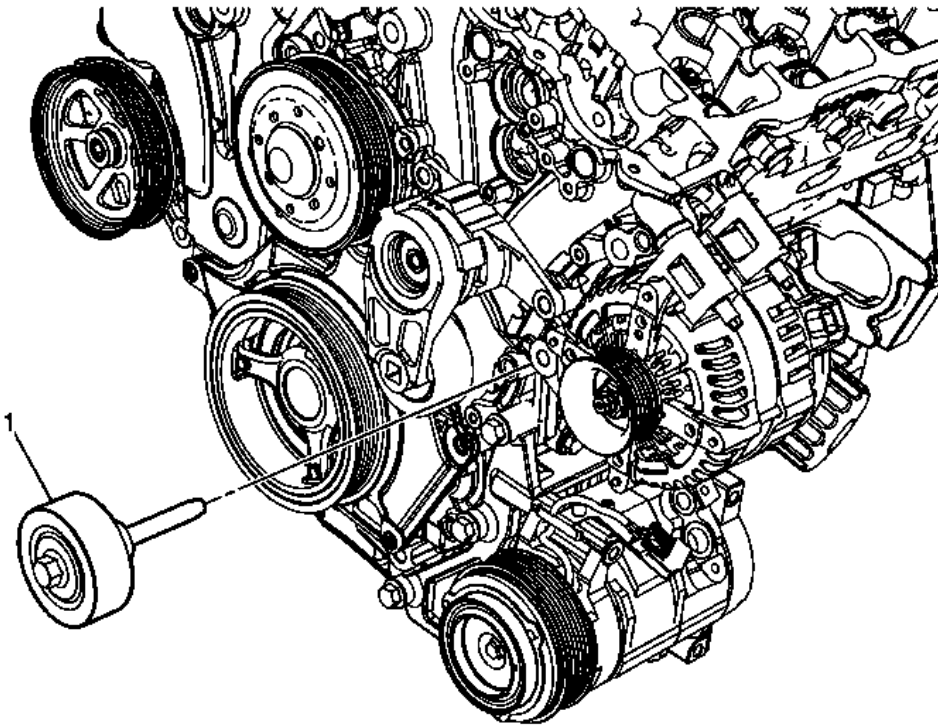


**Fig. 2: View Of Drive Belt Tensioner**  
 Courtesy of GENERAL MOTORS COMPANY

**Drive Belt Tensioner Replacement**

Callout	Component Name
<b>Preliminary Procedures</b>	
<ol style="list-style-type: none"> <li>1. Remove the right engine strut mount. Refer to <b>Engine Mount Strut Replacement - Right Side</b>.</li> <li>2. Remove the right engine mount strut bracket. Refer to <b>Engine Mount Strut Bracket Replacement - Right Side</b>.</li> <li>3. Remove the drive belt. Refer to <b>Drive Belt Replacement</b>.</li> </ol>	
1	Idler Pulley Bolt  <b>CAUTION:</b> Refer to <b>Fastener Caution</b> .  <b>Tighten</b> 50 N.m (37 lb ft)
2	Tensioner Bolt <b>Tighten</b> 25 N.m (18 lb ft)
3	Tensioner <b>TIP:</b> Remove wire harness retainer from tensioner.

**DRIVE BELT IDLER PULLEY REPLACEMENT**



**Fig. 3: Identifying Drive Belt Idler Pulley**  
 Courtesy of GENERAL MOTORS COMPANY

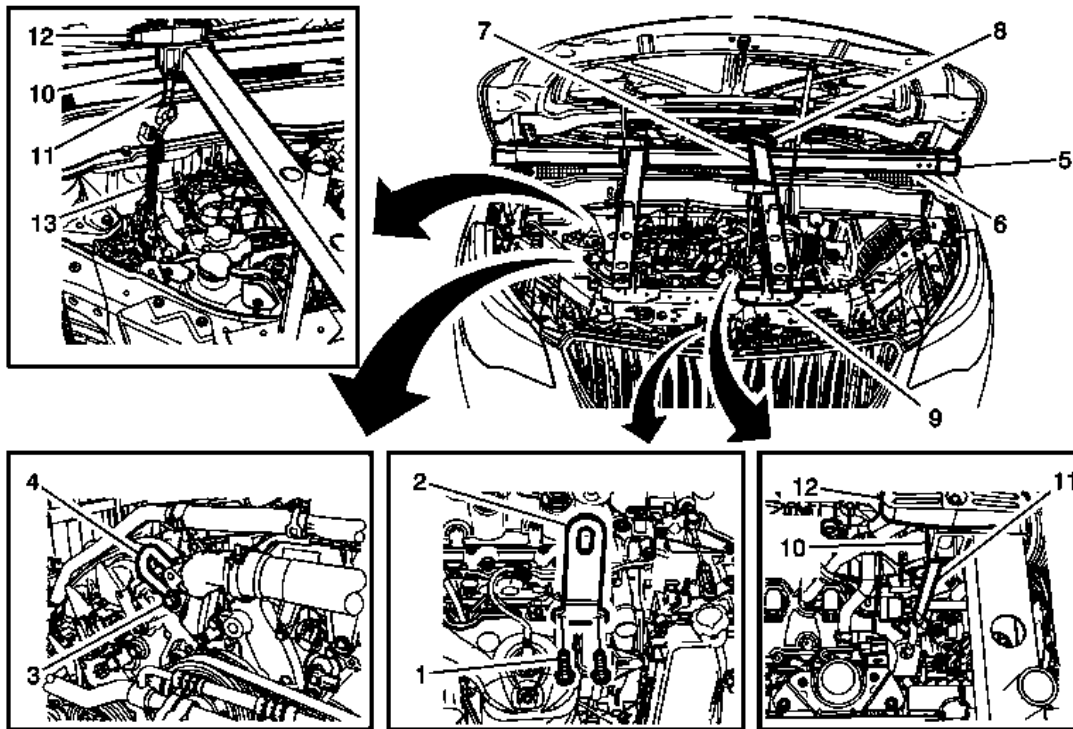
**Drive Belt Idler Pulley Replacement**

Callout	Component Name
<p><b>Preliminary Procedures</b></p> <ol style="list-style-type: none"> <li>1. Remove the right engine strut mount. Refer to <b>Engine Mount Strut Replacement - Right Side</b>.</li> <li>2. Remove the right engine mount strut bracket. Refer to <b>Engine Mount Strut Bracket Replacement - Right Side</b>.</li> <li>3. Remove the generator. Refer to <b>Generator Replacement</b>.</li> </ol>	
<p>1</p>	<p>Idler Pulley Bolt</p> <p><b>CAUTION:</b>                      Refer to <b>Fastener Caution</b>.</p> <p><b>Tighten</b>                      50 N.m (37 lb ft)</p>

**ENGINE SUPPORT FIXTURE**

## 2014 Chevrolet Traverse LT

2014 ENGINE Engine Mechanical - 3.6L (LLT) - Repair Instructions - On Vehicle - Acadia, Enclave And Traverse



**Fig. 4: Engine Support Fixture Components**  
 Courtesy of GENERAL MOTORS COMPANY

### Engine Support Fixture

Callout	Component Name
<b>Preliminary Procedures</b>	
<ol style="list-style-type: none"> <li>1. Remove the fuel injector sight shield. Refer to <b>Fuel Injector Sight Shield Replacement</b>.</li> <li>2. Remove the front compartment sight shields. Refer to <b>Front Compartment Front Sight Shield Replacement (Enclave)</b> , <b>Front Compartment Front Sight Shield Replacement (Traverse)</b> , <b>Front Compartment Front Sight Shield Replacement (Acadia)</b> .</li> </ol>	
<b>Special Tools</b>	
<ul style="list-style-type: none"> <li>• EN-46114-1 Engine Lift Bracket</li> <li>• EN-36857 Engine Lift Bracket</li> <li>• EN-28467-301 Engine Support Fixture Adapters</li> <li>• J-284678-518 Main Support Beam</li> <li>• EN-28467-2A Radiator Tube Shelf Assembly</li> <li>• EN-28467-1A Cross Bracket</li> <li>• EN-28467-4A Front Support Assembly</li> <li>• J-28467-6A Bracket Assembly</li> <li>• EN-28467-8A Hook Assembly</li> </ul>	