

REMOVAL

REMOVAL

CAUTION: If the original engine has experienced a catastrophic failure or an individual failure with the piston, cylinder bore, engine block, valve or valve seat, the intake manifold **MUST** be replaced with a new manifold.

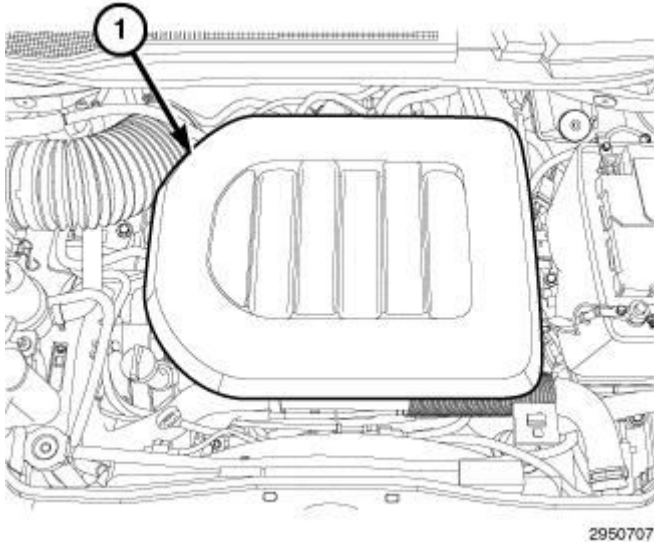


Fig. 5: Engine Cover

Courtesy of CHRYSLER GROUP, LLC

1. Perform the fuel pressure release procedure. Refer to **FUEL SYSTEM PRESSURE RELEASE PROCEDURE** .
2. Disconnect and isolate the negative battery cable.
3. Remove the engine cover (1).
4. Recover the refrigerant from the refrigerant system. Refer to **PLUMBING, FRONT, STANDARD PROCEDURE** .

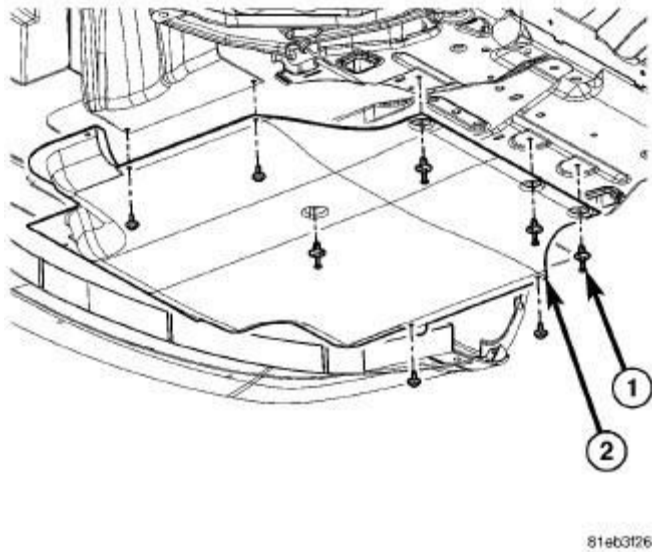


Fig. 6: Belly Pan
Courtesy of CHRYSLER GROUP, LLC

5. Raise and support the vehicle. Refer to **HOISTING, STANDARD PROCEDURE** .
6. Remove the belly pan (Refer to 13 - Frame and Bumpers/Under Body Protection).
7. Drain the cooling system. Refer to **STANDARD PROCEDURE** .
8. Drain the engine oil. Refer to **OIL - STANDARD PROCEDURE** .

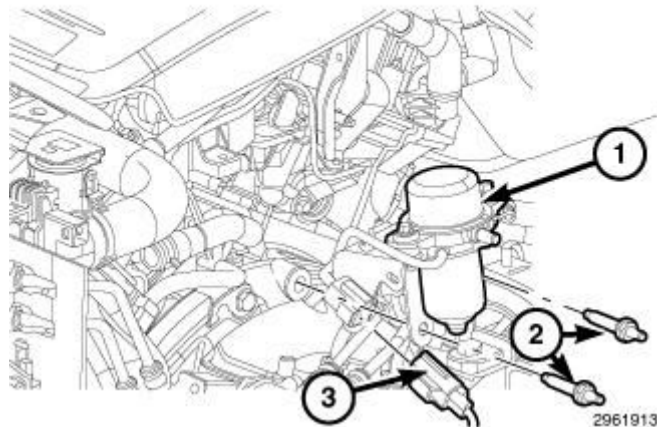


Fig. 7: Electric Vacuum Pump, Connector & Two Bolts
Courtesy of CHRYSLER GROUP, LLC

9. Lower the vehicle.
10. Remove the electric vacuum pump and mounting bracket (1). Refer to **PUMP, ELECTRIC VACUUM, REMOVAL** .

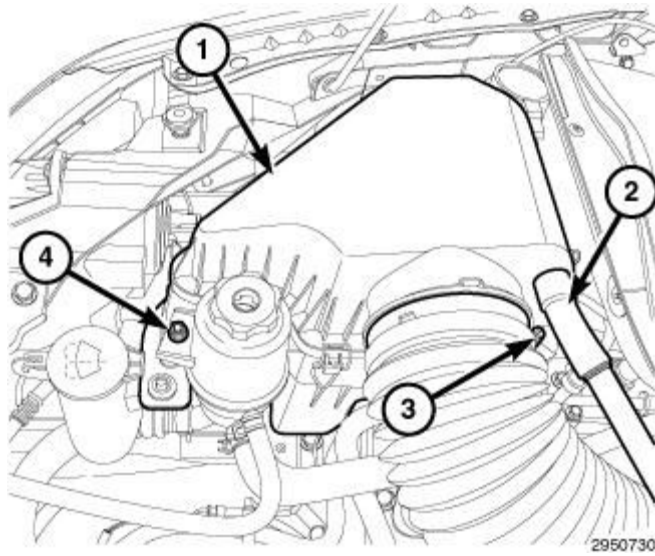


Fig. 8: Air Cleaner Body, Fresh Air Makeup Hose, Clamp & Nut
Courtesy of CHRYSLER GROUP, LLC

11. Remove the air cleaner body (1). Refer to **BODY, AIR CLEANER, REMOVAL**.

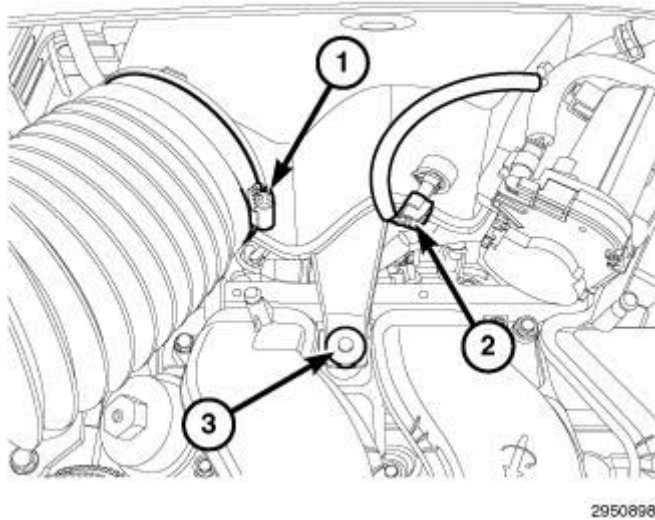


Fig. 9: Inlet Air Temperature (IAT) Sensor Connector, Clamp & Push Pin
Courtesy of CHRYSLER GROUP, LLC

12. Remove the resonator. Refer to **RESONATOR, AIR CLEANER, REMOVAL**.

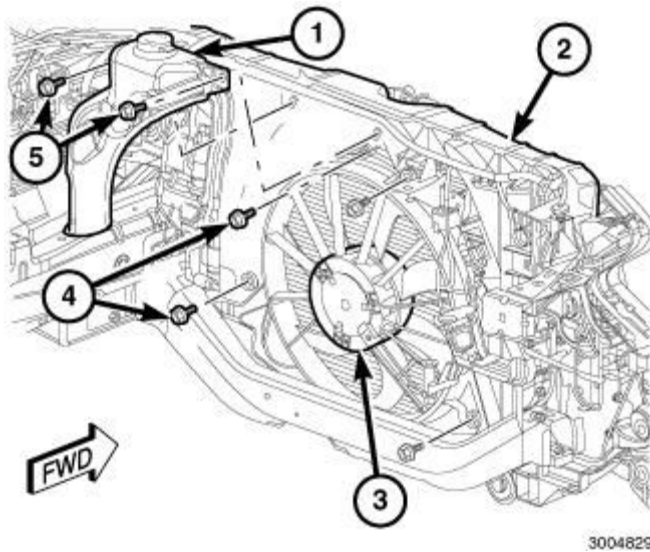


Fig. 10: Windshield Washer Reservoir, Core Shroud, Radiator Fan & Mounting Bolts
Courtesy of CHRYSLER GROUP, LLC

13. Remove the coolant recovery bottle (1). Refer to **BOTTLE, COOLANT RECOVERY, REMOVAL** .

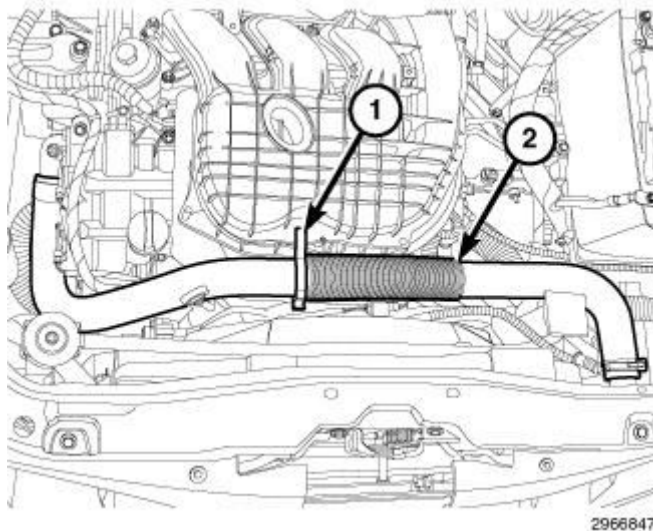


Fig. 11: Upper Radiator Hose & Hose Retainer
Courtesy of CHRYSLER GROUP, LLC

14. Disengage the hose retainer (1) from the intake manifold and remove the upper radiator hose (2).

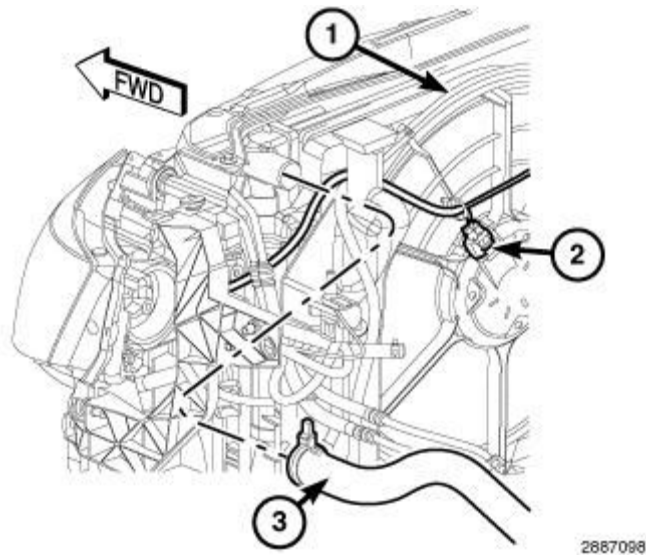


Fig. 12: Cooling Fan, Module & Upper Radiator Hose
Courtesy of CHRYSLER GROUP, LLC

15. Remove the cooling fan module (1). Refer to **FAN, COOLING, REMOVAL** .

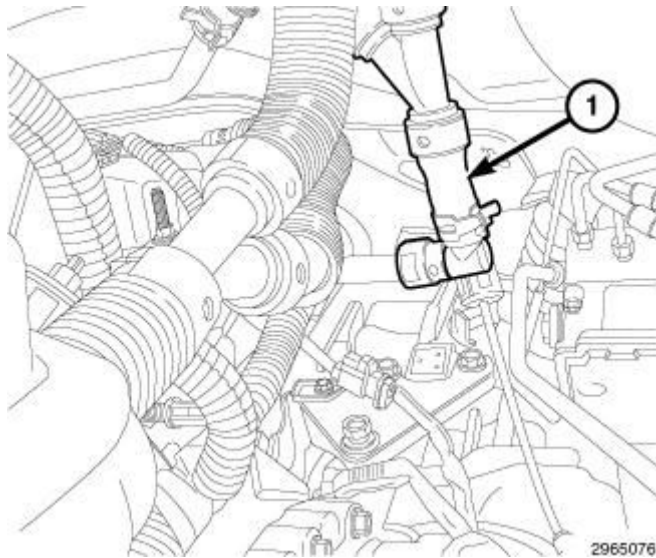


Fig. 13: Heater Core Supply Hose
Courtesy of CHRYSLER GROUP, LLC

16. Disconnect the heater core supply hose (1). Refer to **FITTING, QUICK CONNECT** .

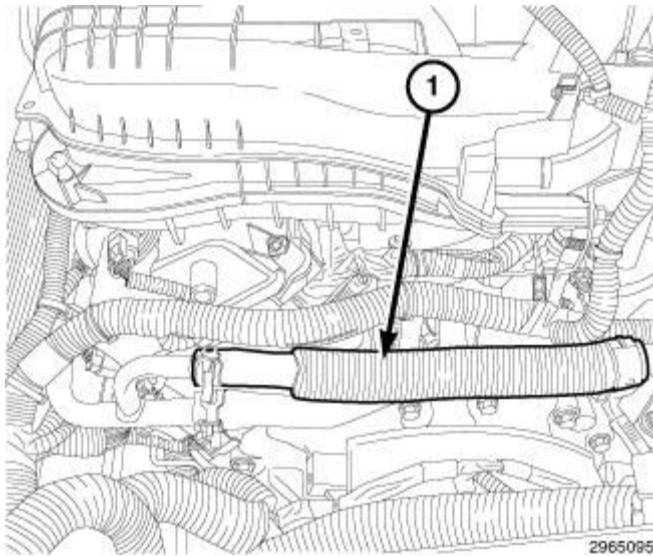


Fig. 14: Heater Core Return Hose
Courtesy of CHRYSLER GROUP, LLC

17. Disconnect the heater core return hose (1).

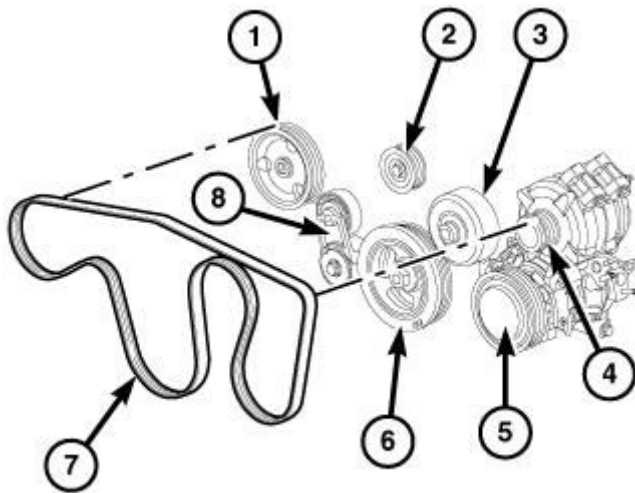


Fig. 15: Belt Tensioner, Accessory Drive Belt & Belt Routing
Courtesy of CHRYSLER GROUP, LLC

18. Remove the accessory drive belt (7). Refer to **BELT, SERPENTINE, REMOVAL**.