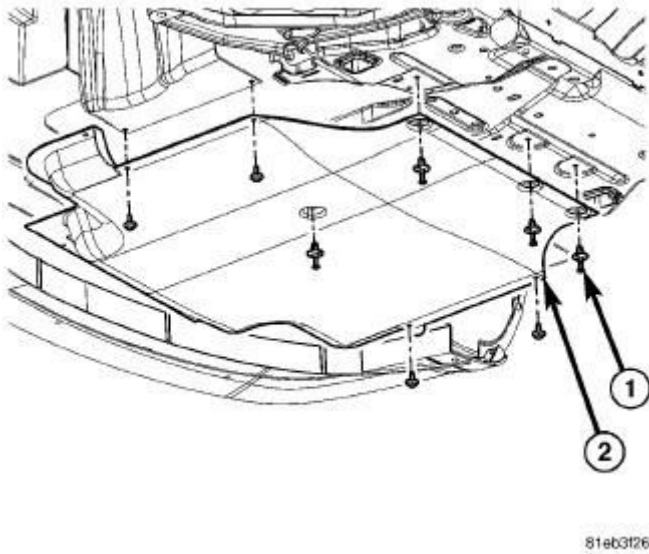


individual failure with the piston, cylinder bore, engine block, valve or valve seat, the intake manifold **MUST** be replaced with a new manifold.

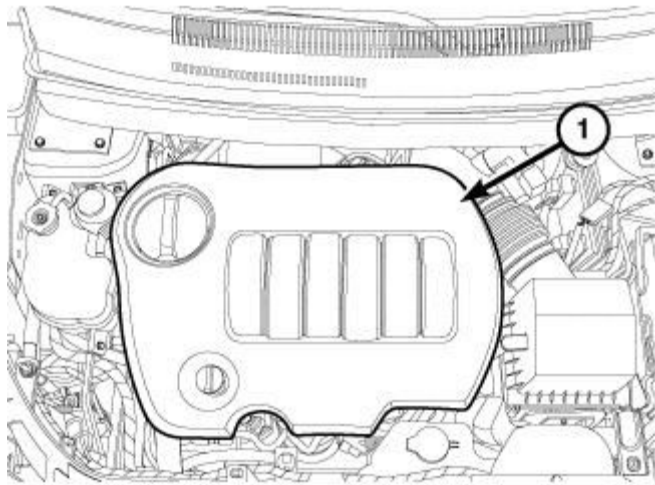


81eb3126

Fig. 5: Belly Pan & Fasteners

Courtesy of CHRYSLER GROUP, LLC

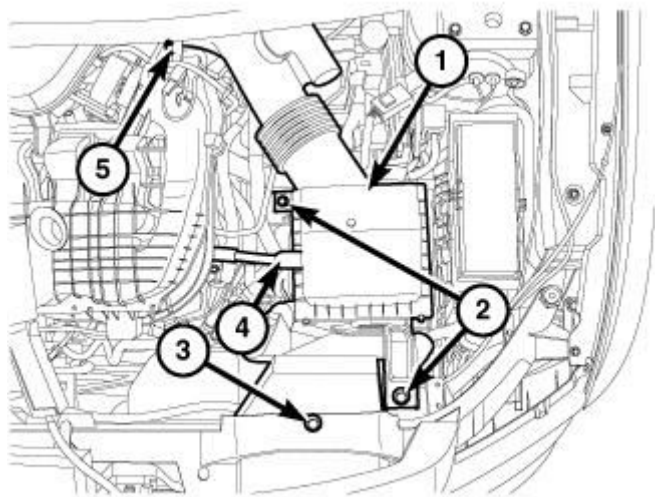
1. Perform the fuel pressure release procedure. Refer to **FUEL DELIVERY, GAS, STANDARD PROCEDURE** .
2. Disconnect and isolate the negative battery cable.
3. Raise and support the vehicle. Refer to **HOISTING, STANDARD PROCEDURE** .
4. Remove the belly pan (Refer to **UNDER BODY PROTECTION**).
5. Drain the cooling system. Refer to **STANDARD PROCEDURE** .
6. Drain the engine oil. Refer to **OIL - STANDARD PROCEDURE** .



3064310

Fig. 6: Engine Cover
Courtesy of CHRYSLER GROUP, LLC

7. Lower the vehicle.
8. Remove the engine cover (1).
9. Recover the refrigerant from the refrigerant system. Refer to **PLUMBING, STANDARD PROCEDURE**.



3064341

Fig. 7: Fresh Air Makeup Hose, Air Cleaner Body, Push Pin, Two Bolts & Clamp
Courtesy of CHRYSLER GROUP, LLC

10. Remove the air cleaner body (1). Refer to **BODY, AIR CLEANER, REMOVAL**.

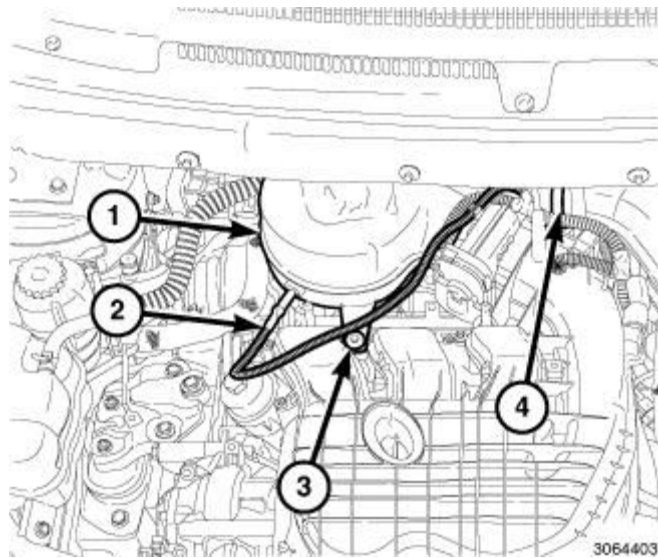


Fig. 8: Resonator, Electrical Connector, Push Pin & Clamp
Courtesy of CHRYSLER GROUP, LLC

11. Remove the resonator (1). Refer to **RESONATOR, AIR CLEANER, REMOVAL**.

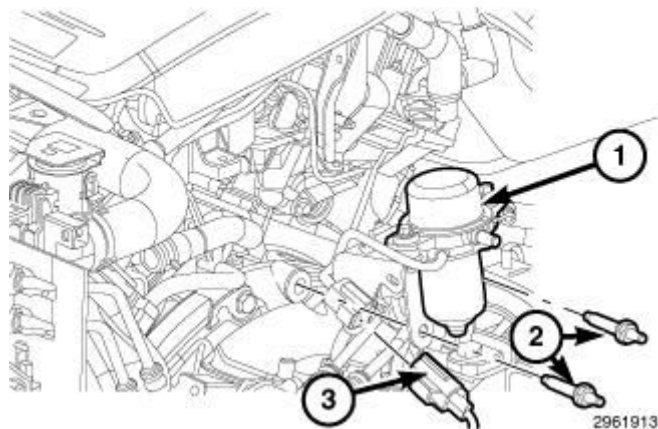


Fig. 9: Electric Vacuum Pump, Connector & Two Bolts
Courtesy of CHRYSLER GROUP, LLC

12. Remove the electric vacuum pump and mounting bracket (1). Refer to **PUMP, ELECTRIC VACUUM, REMOVAL** .

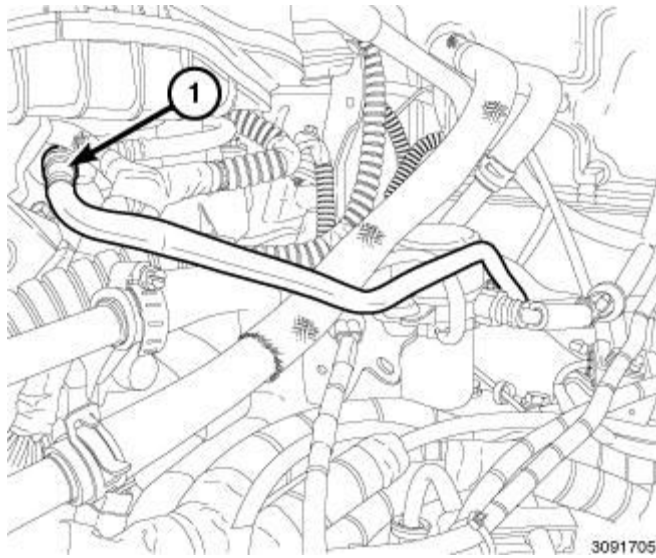


Fig. 10: Fuel Supply Line
Courtesy of CHRYSLER GROUP, LLC

13. Disconnect the fuel line (1) from the fuel rail inlet. Refer to **FITTING, QUICK CONNECT, STANDARD PROCEDURE** .

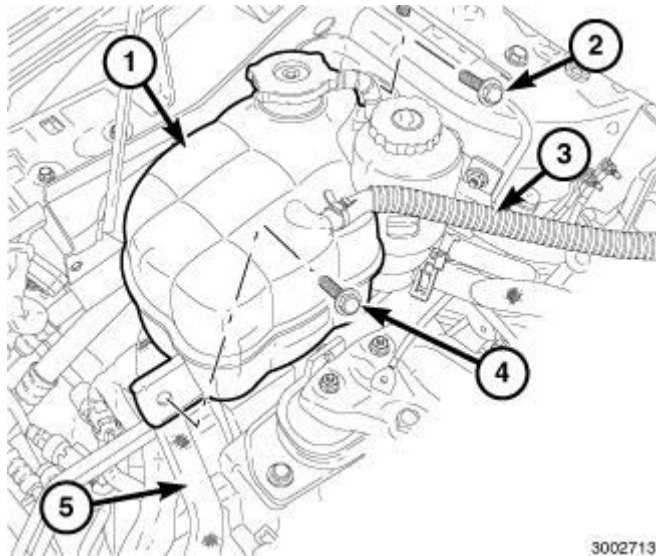


Fig. 11: Coolant Recovery Container, Return Hose, Lower Supply Hose & Mount Bolts
Courtesy of CHRYSLER GROUP, LLC

14. Remove the coolant recovery bottle (1). Refer to **BOTTLE, COOLANT RECOVERY, REMOVAL** .

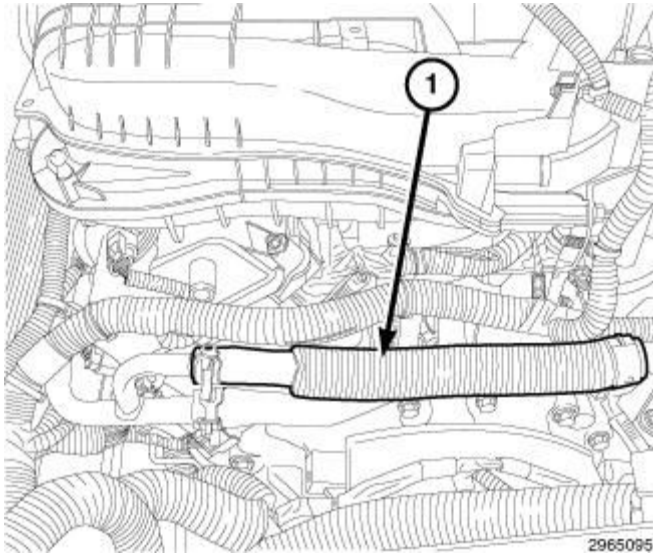


Fig. 12: Heater Core Return Hose
Courtesy of CHRYSLER GROUP, LLC

15. Disconnect the heater core return hose (1).

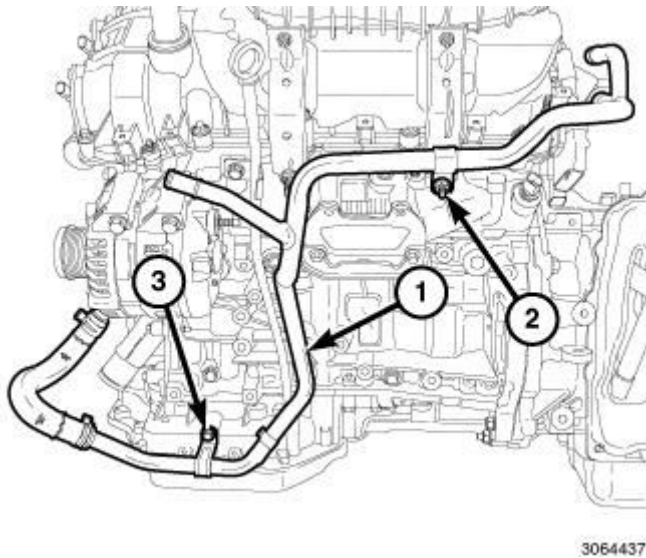


Fig. 13: Heater Core Return Tube, Nut & Bolt
Courtesy of CHRYSLER GROUP, LLC

Remove the nut (2), bolt (3) and the heater core return tube (1).

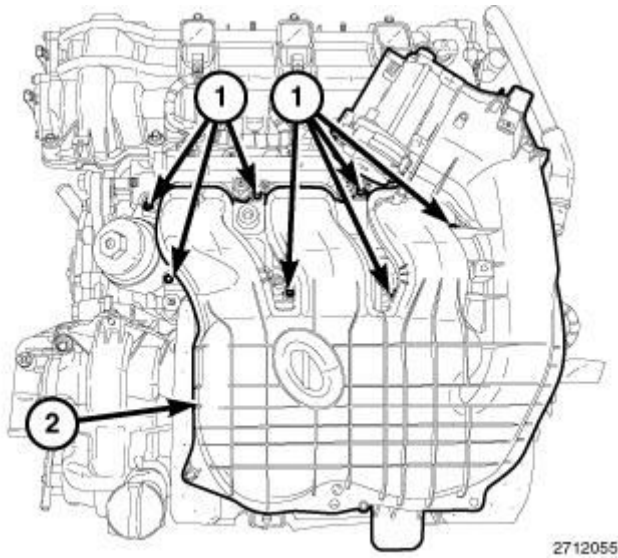


Fig. 14: Upper Intake Manifold & Bolts
Courtesy of CHRYSLER GROUP, LLC

16. Remove the upper intake manifold (2). Refer to **MANIFOLD, INTAKE, REMOVAL**.

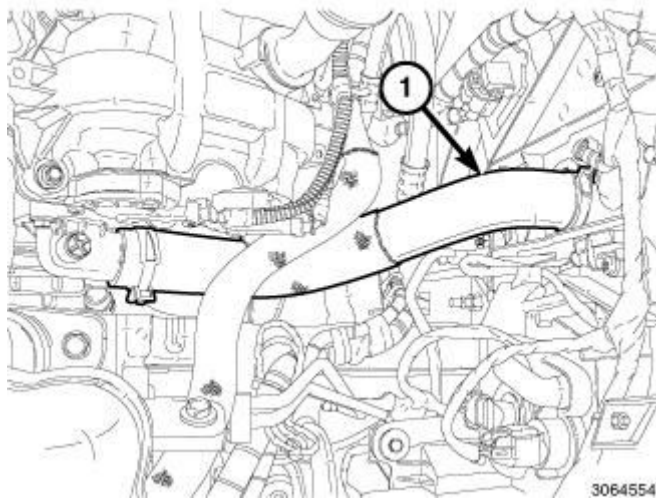


Fig. 15: Upper Radiator Hose
Courtesy of CHRYSLER GROUP, LLC

17. Remove the upper radiator hose (1).