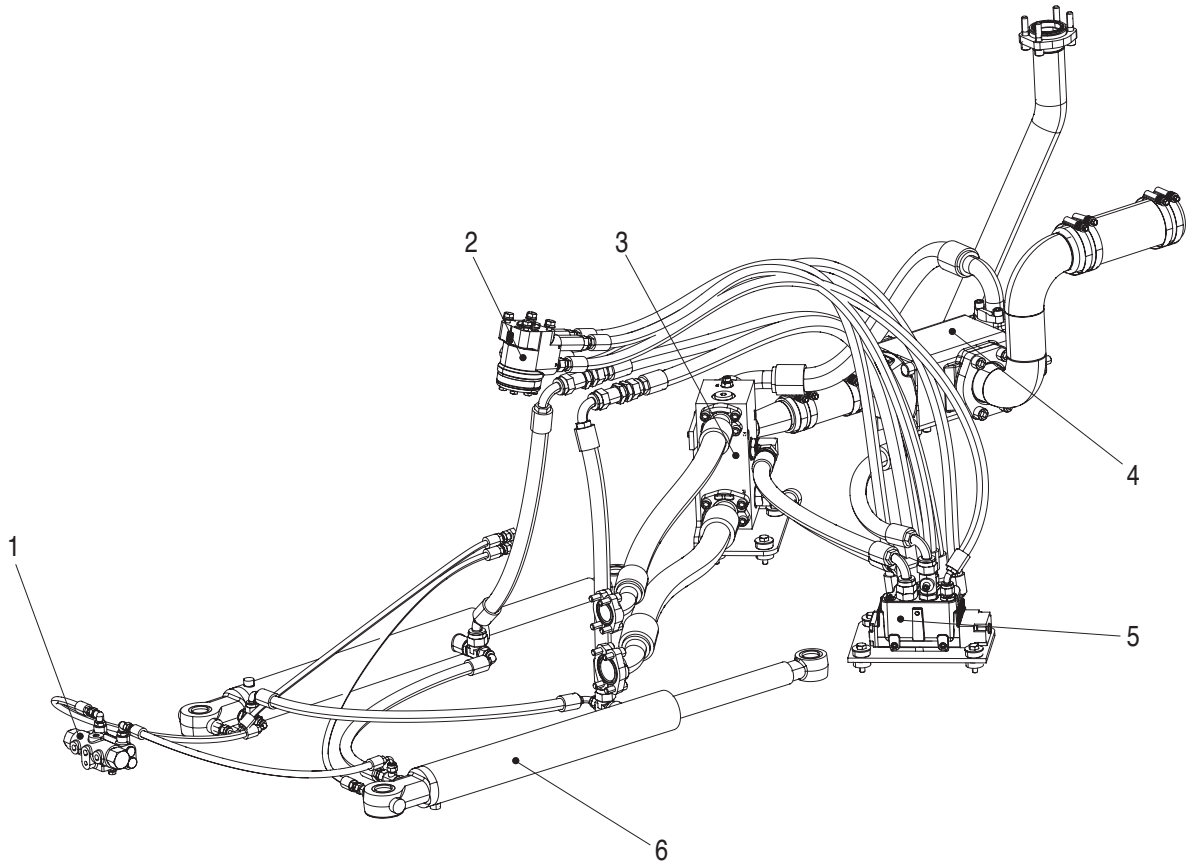


GENERAL DESCRIPTION

Power Steering System

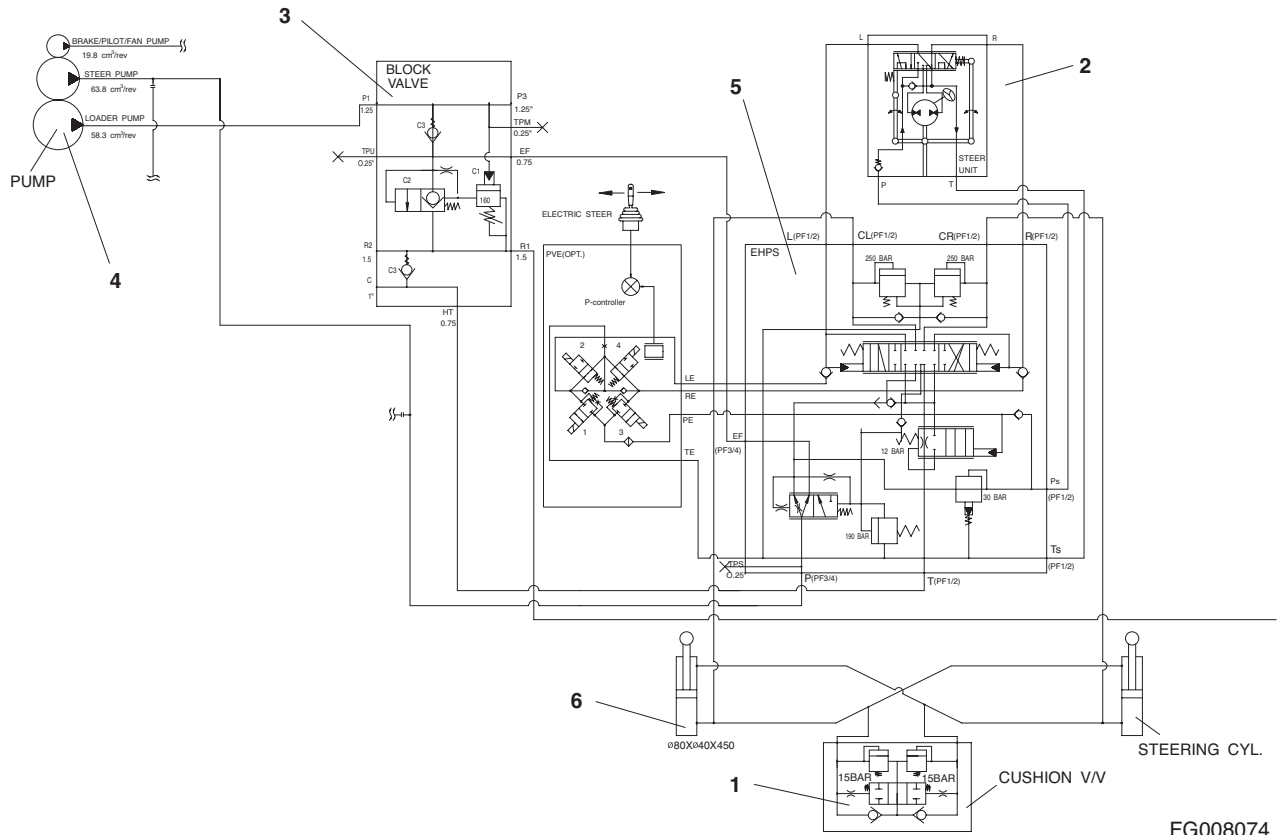


FG006709

Figure 1

Reference Number	Description
1	Cushion Valve
2	Steering Unit
3	Main Block Valve

Reference Number	Description
4	Main Pump
5	EHPS Valve
6	Steering Cylinder



FG008074

Figure 2 HYDRAULIC CIRCUIT

Reference Number	Description
1	Cushion Valve
2	Steering Unit
3	Main Block Valve

Reference Number	Description
4	Main Pump
5	EHPS Valve
6	Steering Cylinder

EHPS Valve

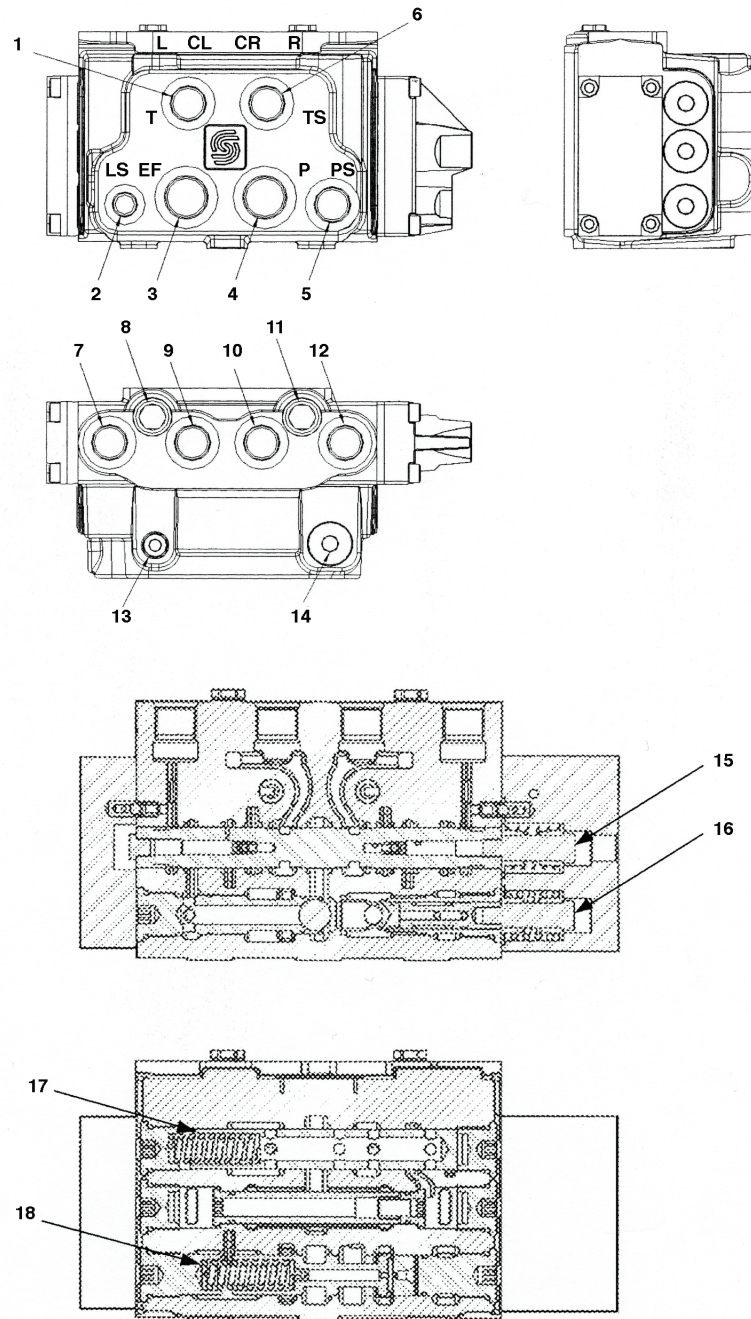


Figure 1

BZS1200S