

7. Assemble cover (14) in the body (1) with wrench bolt.



Figure 21



Figure 22

8. Assemble wrench bolt (15) in the body (1) with torque wrench.

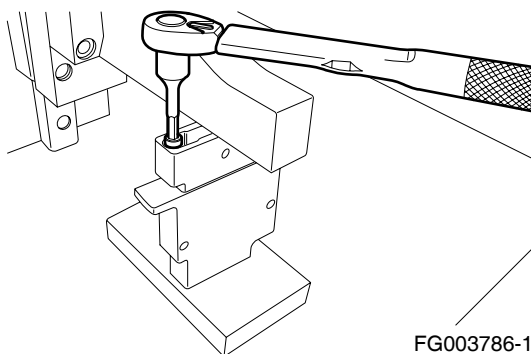


Figure 23

9. Assemble socket bolt (18) and nut (19) in the guide (16).

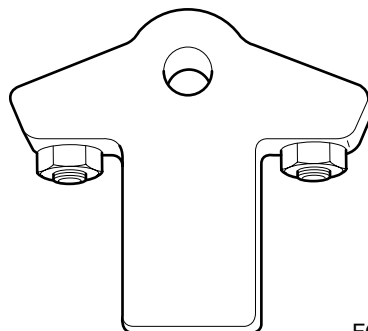


Figure 24

10. Assemble guide (16) and lever (20) with spring pin (21).

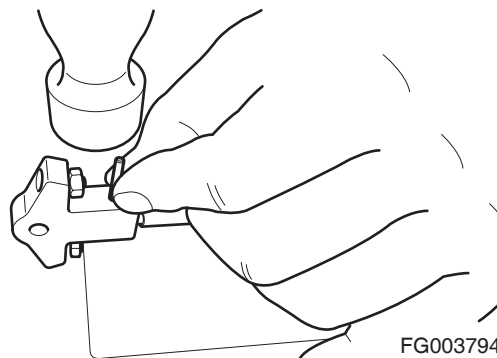


Figure 25

FG003794

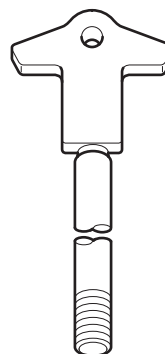


Figure 26

FG003794-1

11. Assemble guide (16) in the cover with pin (17).

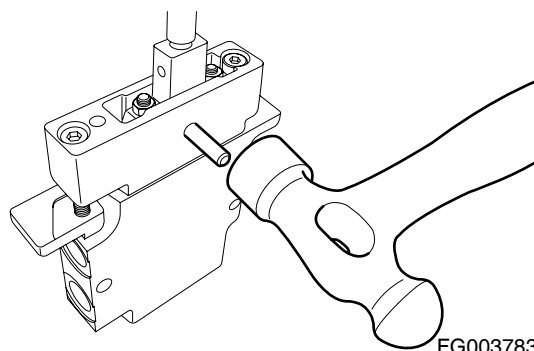


Figure 27

FG003783

12. Adjust the clearance of lever (20) with wrench and wrench.

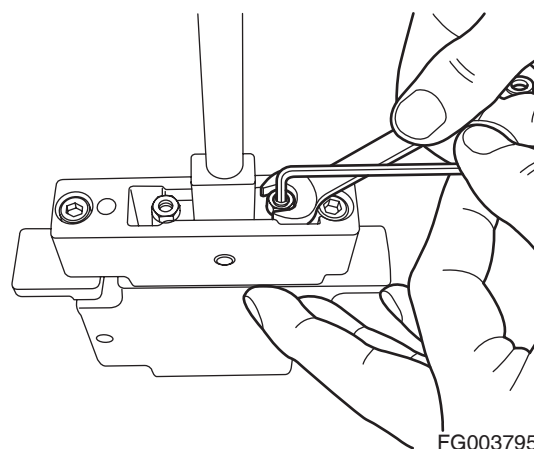


Figure 28

FG003795

13. Assemble boot (22) and bushing (23) in the body (1).

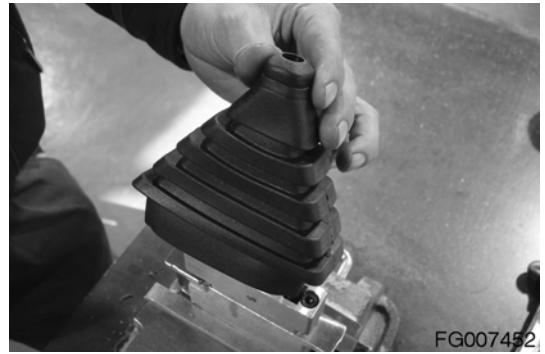


Figure 29

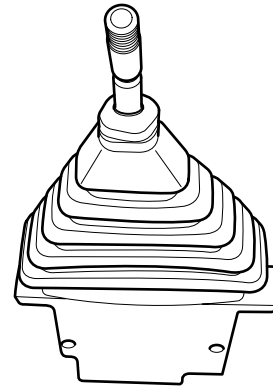


Figure 30

