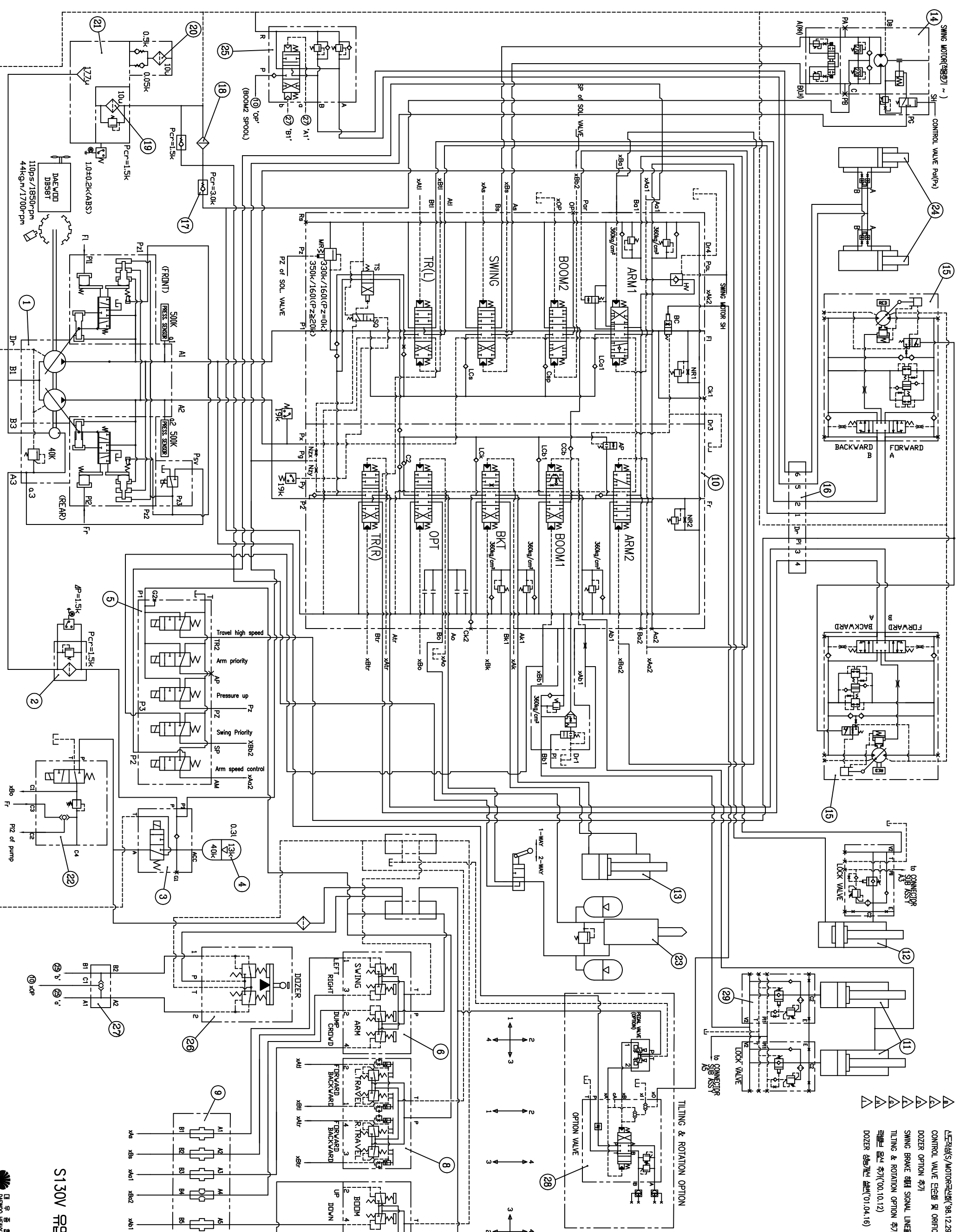


- ▲ S130V(MOTOR) (98.12.29)
- ▲ CONTROL VALVE E-2호 및 ORifice 2호(99.11.12)
- ▲ DOZER OPTION 추가
- ▲ SWING BRAKE SIGNAL LINE를 C/V P-2에 연결(00.07.26)
- ▲ TILTING & ROTATION OPTION 추가(00.09.10)
- ▲ 레버를 옵션 추가(00.10.12)
- ▲ DOZER 옵션/제어 선(01.04.16)

1. PUMP FILTER
2. SOLENOID VALVE (CUT OFF)
3. ACCUMULATOR
4. SPLENDID VALVE (PACKAGE)
5. JOYSTICK VALVE(R)
6. JOYSTICK VALVE(L)
7. PEDAL VALVE
8. CONNECTOR SUB ASSY
9. CONTROL VALVE
10. BOOM CYLINDER
11. ARM CYLINDER
12. BUCKET CYLINDER
13. SWING DEVICE
14. TRAVEL DEVICE
15. CENTER JOINT
16. RESTRICTION VALVE
17. OIL COOLER
18. FULL FLOW FILTER
19. AIR BREATHER
20. HYDRAULIC TANK
21. BREAKER VALVE
22. DOZER CYLINDERS
23. DOZER CYLINDERS
24. DOZER CYLINDERS
25. CONTROL VALVE (OPTION)
26. DOZER VALVE(OPTION)
27. SHUTTLE VALVE (OPTION)
28. OPTION VALVE (TILT. & RO. OPTION)
29. LOCK VALVE (OPTION)



S130V 유압회로도