

Fig. 6: Exploded View Of Rear Safety Belt System With Torque Specifications (Backrest, 3-Passenger Bench)
 Courtesy of FORD MOTOR CO.

Item	Part Number	Description
1	W790038	Safety belt guide cover screws (2 required)
2	60262	Safety belt guide cover
3	613C46	Safety belt retractor cover
4	613D10	Safety belt guide bracket
5	W701945	Safety belt guide bracket screw (2 required)
6	W704400	Safety belt retractor bolt
7	611B64	Center safety belt retractor
8	66600	Backrest trim cover
9	66800	Backrest foam pad
10	-	Panel
11	613A38	Seat backrest frame assembly

2014 Ford E-150

2014 RESTRAINTS Safety Belt System - E-Series

12	W505274	Backrest-to-cushion frame rear bolts (2 required)
13	65478	Armrest (if equipped)
14	60108	Armrest bolt (if equipped)
15	W505283	Backrest-to-cushion frame outboard bolts (4 required)

Seat Mounted Safety Restraints - Cushion, 3-Passenger Bench

NOTE: Seven-passenger vehicle third row bench seat shown, others similar.

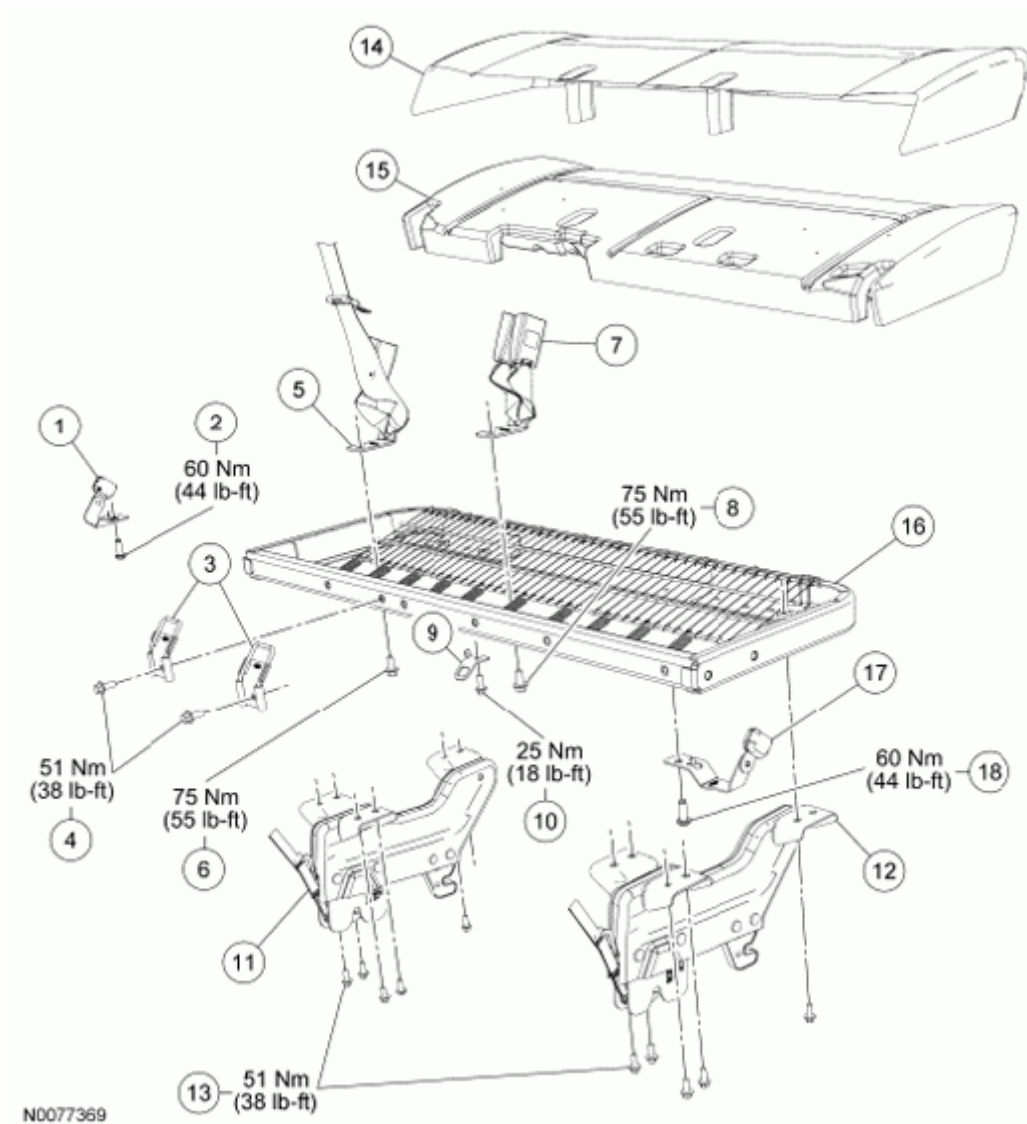


Fig. 7: Exploded View Of Seat Mounted Safety Restraints With Torque Specifications -- Cushion, 3-Passenger Bench

Courtesy of FORD MOTOR CO.

Item	Part Number	Description
------	-------------	-------------

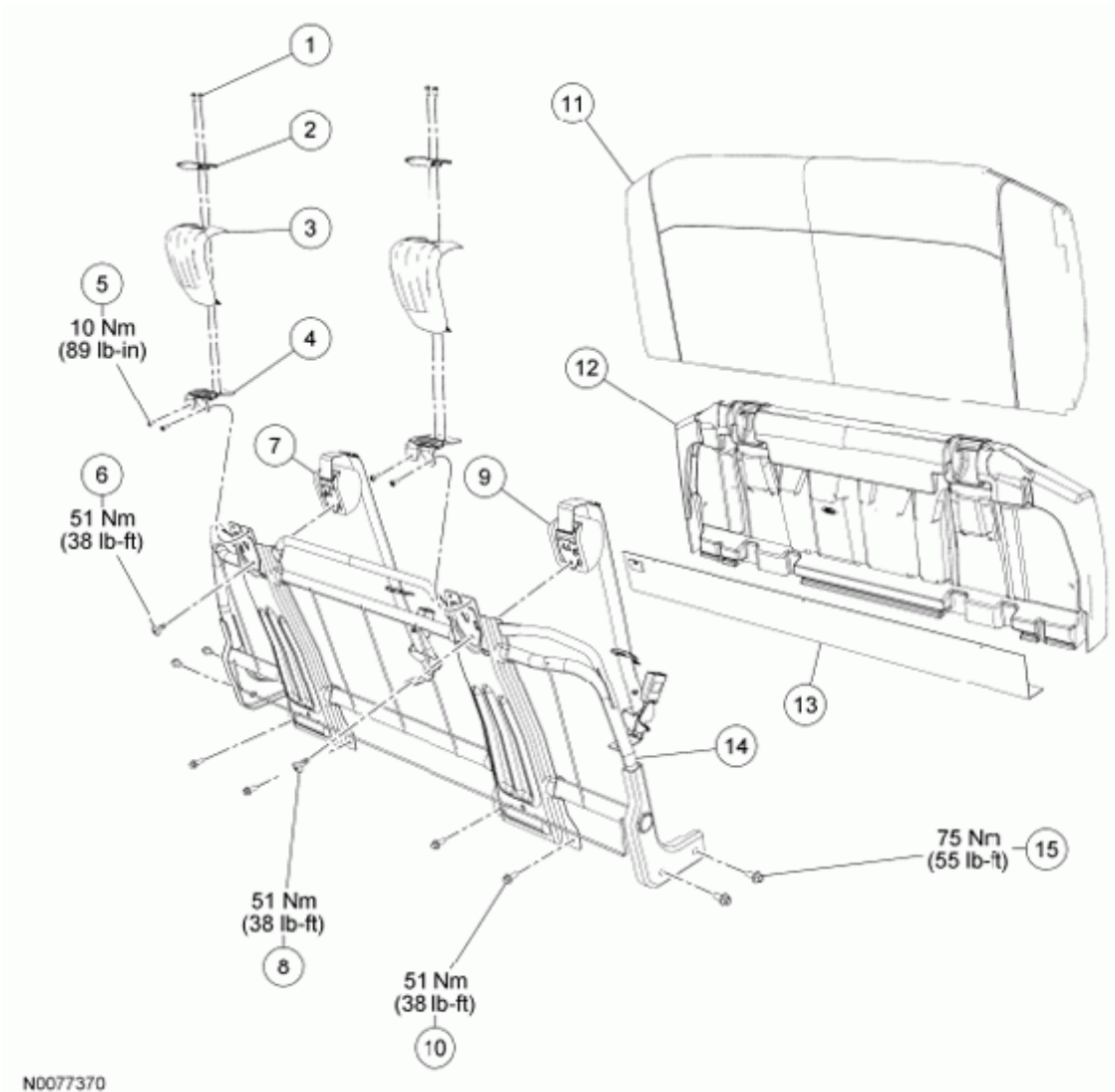
2014 Ford E-150

2014 RESTRAINTS Safety Belt System - E-Series

1	60045	LH detachable safety belt anchor
2	-	LH detachable safety belt anchor bolt (part of 60045)
3	601B28	Lower anchors and tethers for children (2 required)
4	W505274	Lower anchors and tethers for children bolts (2 required)
5	-	Center safety belt anchor (part of 611B64)
6	W505283	Safety belt anchor bolt
7	60044	Safety belt buckle
8	W505283	Safety belt buckle bolt
9	613D20	Child safety seat tether anchor
10	W505274	Child safety seat tether anchor bolt
11	-	Seat riser, LH (part of 63160)
12	-	Seat riser, RH (part of 63160)
13	W505274	Seat riser bolts (10 required)
14	63804	Cushion trim cover
15	66800	Cushion foam pad
16	63160	Cushion frame assembly
17	60044	RH detachable safety belt anchor
18	-	RH detachable safety belt anchor bolt (part of 60044)

Seat Mounted Safety Restraints - Backrest, 4-Passenger Bench

NOTE: Fifteen-passenger vehicle fifth row 4-passenger bench seat shown, 12-passenger vehicle fourth row similar.



N0077370

Fig. 8: Exploded View Of Seat Mounted Safety Restraints With Torque Specifications -- Backrest, 4-Passenger Bench
 Courtesy of FORD MOTOR CO.

Item	Part Number	Description
1	W790038	Safety belt guide cover screw (4 required)
2	60262	Safety belt guide cover (2 required)
3	613C46	Safety belt retractor cover (2 required)
4	613D10	Safety belt guide bracket (2 required)
5	W701945	Safety belt guide bracket screw (4 required)
6	W704400	LH center safety belt retractor bolt
7	611B64	LH center safety belt retractor
8	W704400	RH center safety belt retractor bolt
9	611B64	RH center safety belt retractor

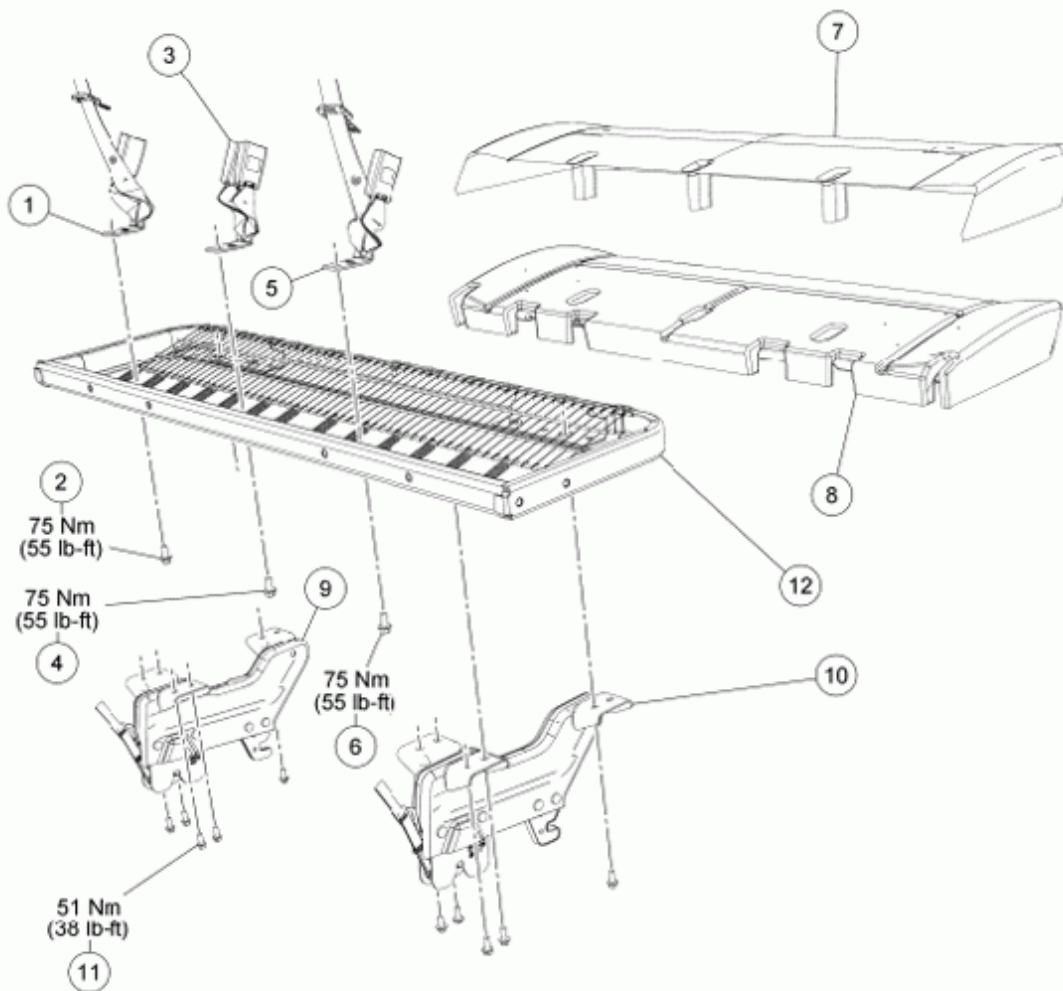
2014 Ford E-150

2014 RESTRAINTS Safety Belt System - E-Series

10	W505274	Backrest-to-cushion frame rear bolt (4 required)
11	66600	Backrest trim cover
12	66800	Backrest foam pad
13	-	Panel
14	613A38	Seat backrest frame assembly
15	W505283	Backrest-to-cushion frame outboard bolt (4 required)

Seat Mounted Safety Restraints - Cushion, 4-Passenger Bench

NOTE: Fifteen-passenger vehicle fifth row 4-passenger bench seat shown, 12-passenger vehicle fourth row similar.



N0077371

Fig. 9: Exploded View Of Seat Mounted Safety Restraints With Torque Specifications -- Cushion, 4-Passenger Bench

Courtesy of FORD MOTOR CO.

Item	Part Number	Description
1	-	LH center safety belt anchor (part of 611B64)
2	W505283	LH center safety belt anchor bolt
3	60044	Safety belt buckle
4	W505283	Safety belt buckle bolt
5	-	RH center safety belt anchor (part of 611B64)
6	W505283	RH center safety belt anchor bolt
7	63804	Cushion trim cover
8	66800	Cushion foam pad
9	-	Seat riser, LH (part of 63160)
10	-	Seat riser, RH (part of 63160)
11	W505274	Seat riser bolt (10 required)
12	63160	Cushion frame assembly

1. For additional information, refer to the procedures in this article.

SAFETY BELT RETRACTOR - SECOND ROW, OUTBOARD

LH Safety Belt Retractor

NOTE: Fifteen-passenger shown, all other LH side retractors with sling similar.

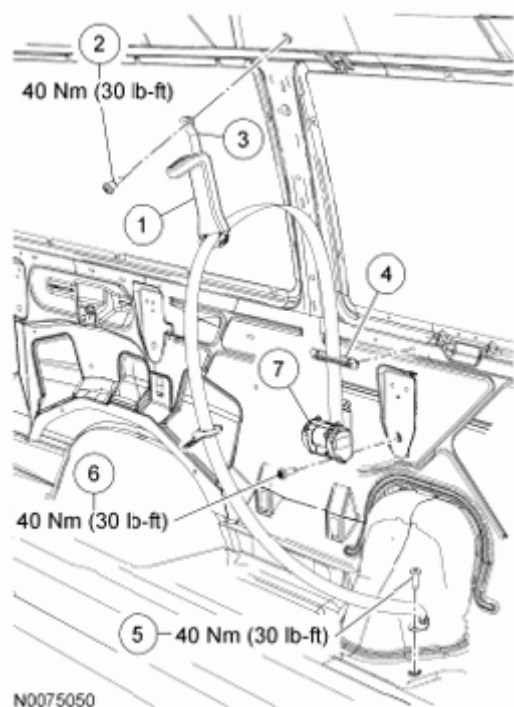


Fig. 10: Exploded View Of LH Safety Belt Retractor With Torque Specifications (Second Row, Outboard)