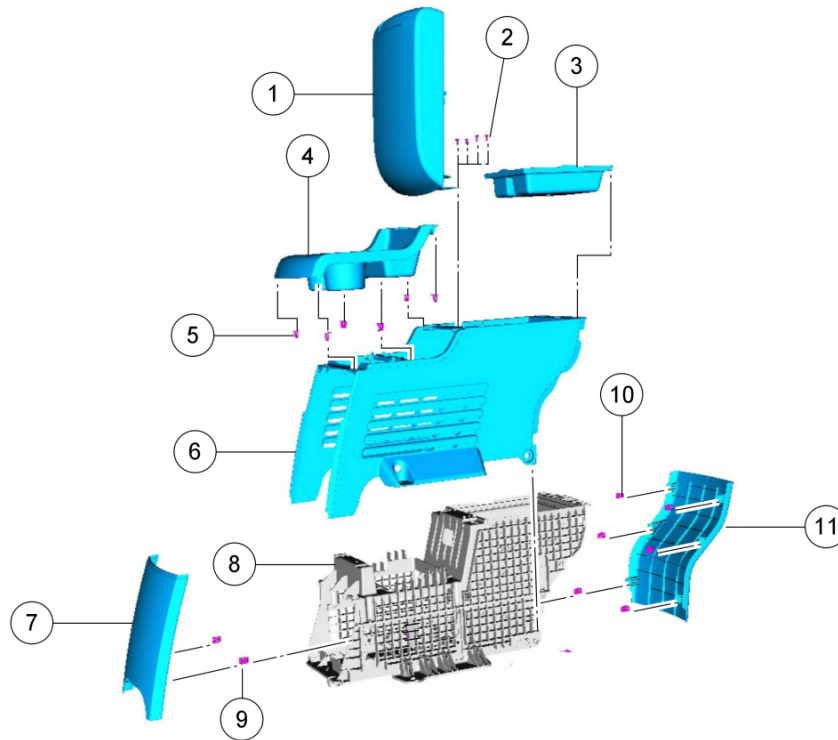


Exploded View

Figure 1: Rear Console Finish Panels

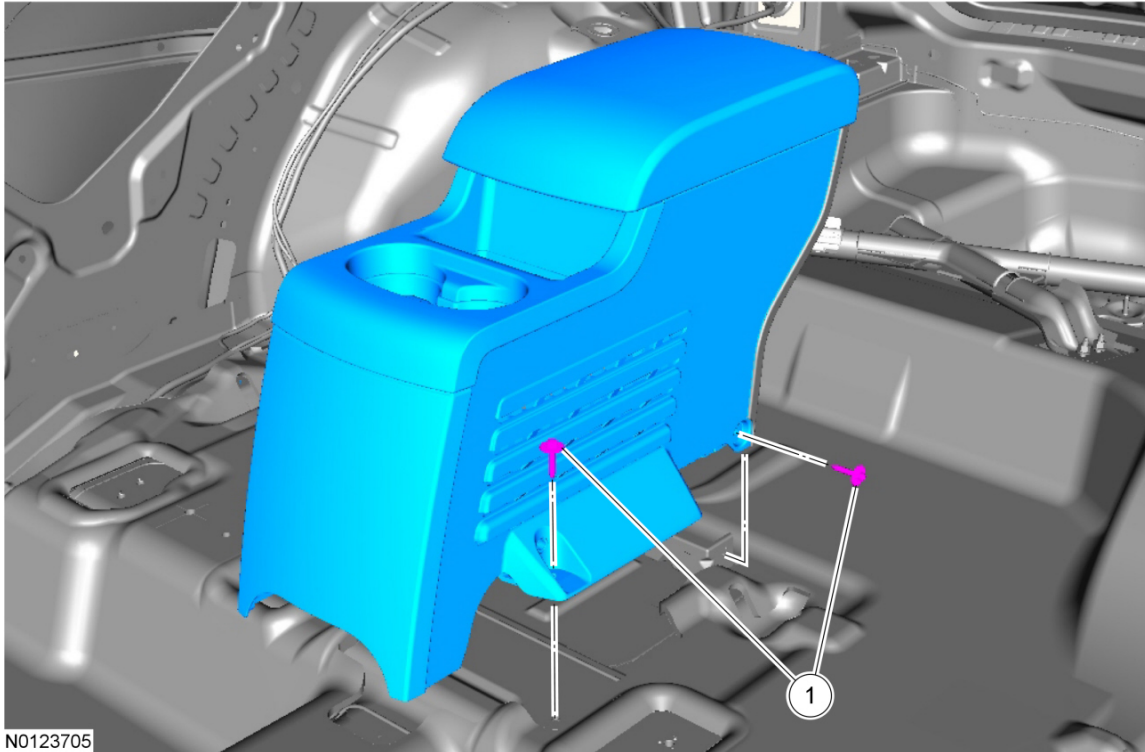
REFER to [Rear Console Finish Panels](#)



N0124991

Item	Service Part Number	Description
1	7806024	Arm rest
2	W706450	Arm rest screws (4 required)
3	74115A00	Storage tray
4	7413562	Upper finish panel
5	W710338	Upper finish panel clips (6 required)
6	74045C22	Console finish panel
7	7404567	Front finish panel
8	74045A90	Console structure
9	W710338	Front finish panel clips (2 required)
10	W710338	Rear finish panel clips 6 required)
11	74045E24	Rear finish panel

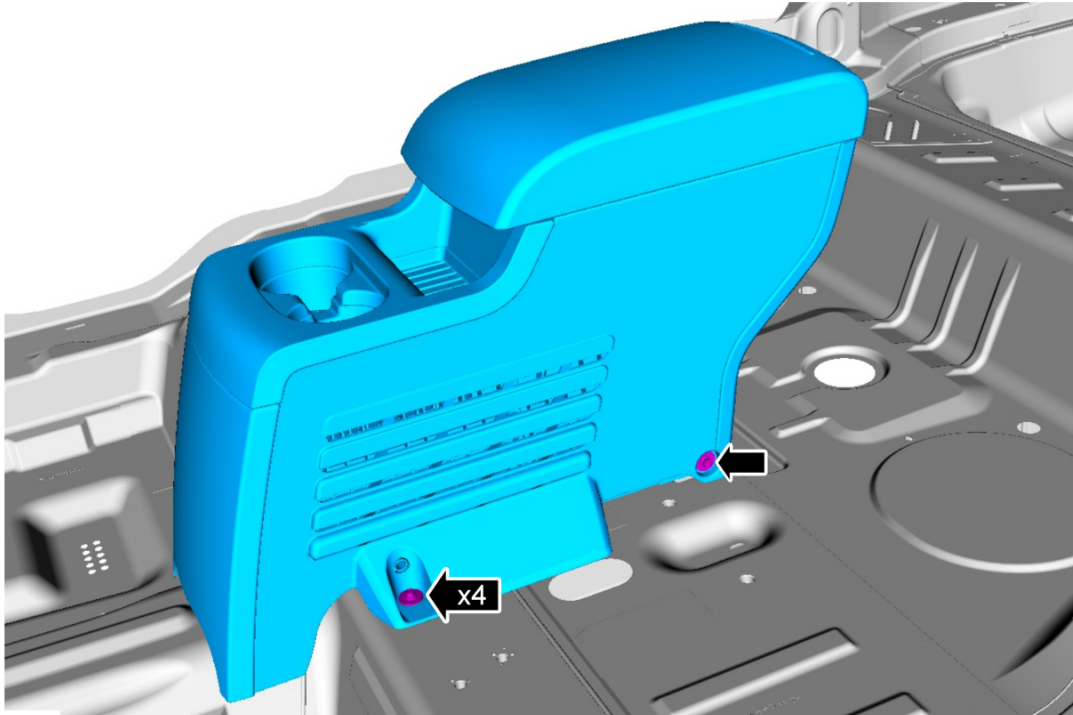
Figure 2: Rear Console Fasteners



Item	Service Part Number	Description	Torque	Material Name	Notes
1	W707486	Console floor bolts (4 required)	7 Nm (62 lb-in)	-	-

Removal

1. Fold and tilt the second row passenger seats forward.
2. Remove the 4 rear floor console bolts.
To install, tighten to 7 Nm (62 lb-in).



N0130098

3. Remove the rear floor console.

Installation

To install, reverse the removal procedure.