

## REMOVAL AND INSTALLATION

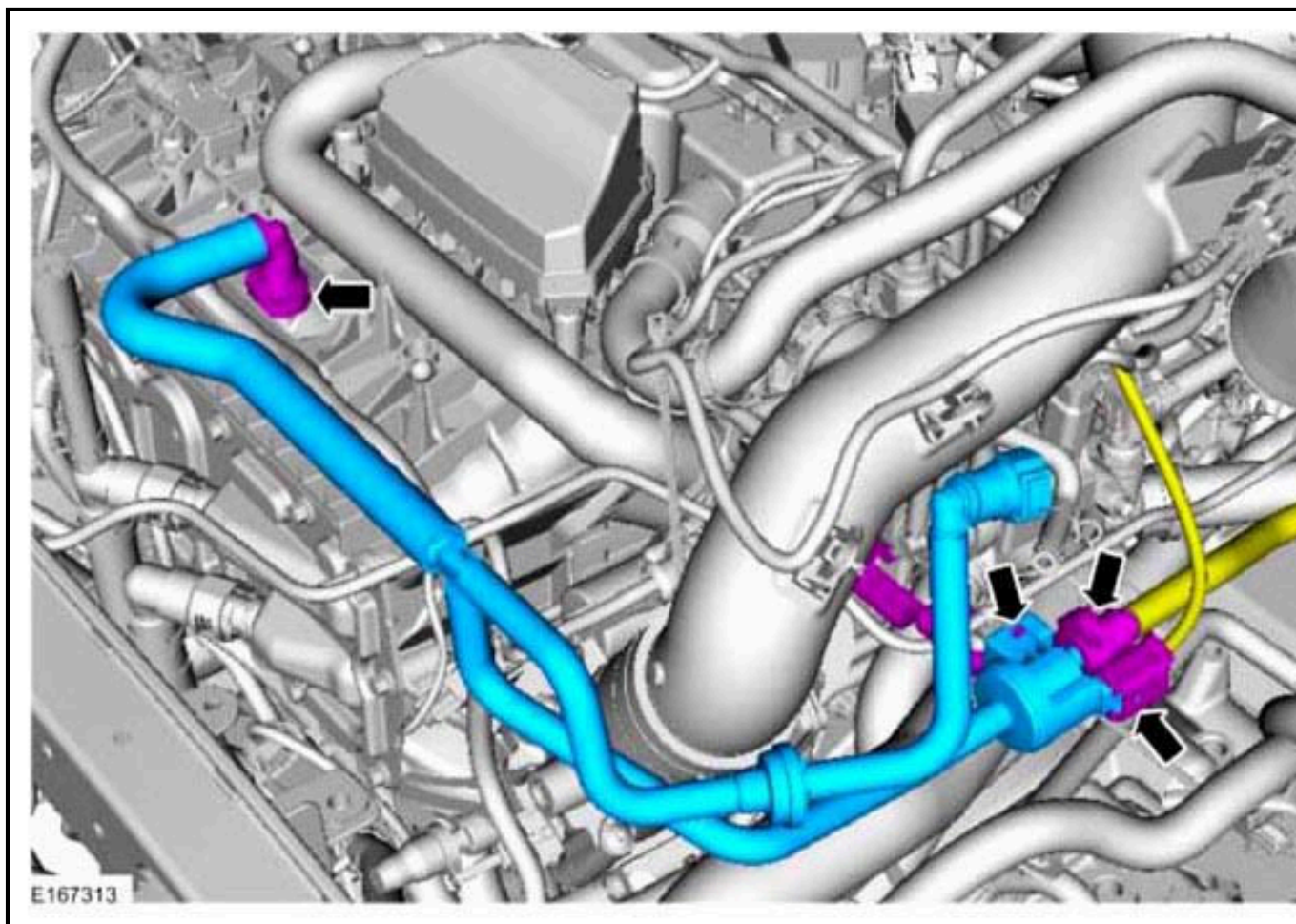
### INTAKE MANIFOLD

#### Special Tool(s)/General Equipment

Hose Clamp Remover/Installer

#### Removal

1. Refer to: **BATTERY DISCONNECT AND CONNECT** .
2. Refer to: AIR CLEANER OUTLET PIPE .  
  
Refer to: AIR CLEANER .
3. Refer to: QUICK RELEASE COUPLING .

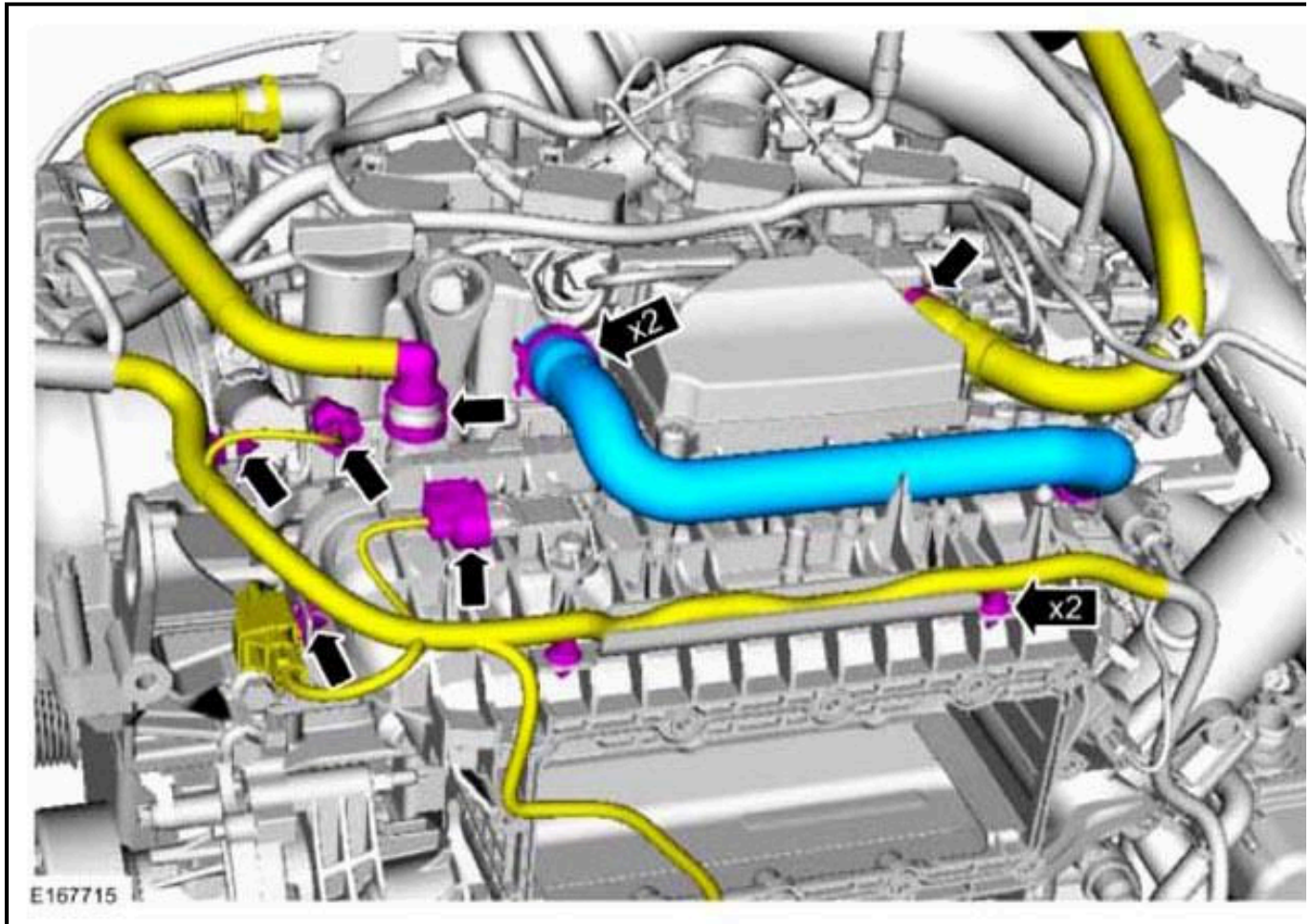


4. Remove the following items:

## 2014 Ford Fusion S

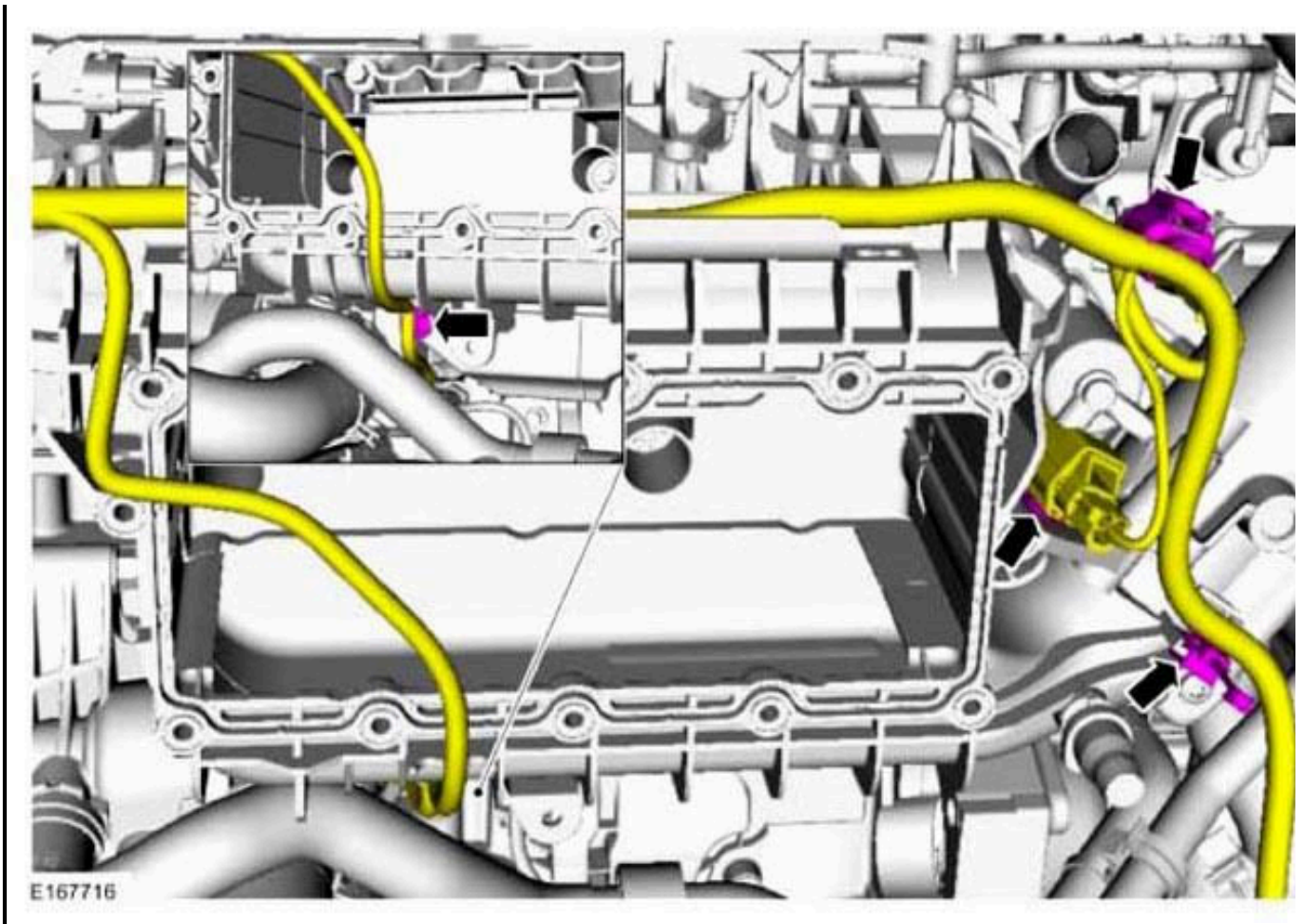
2014 ENGINE Engine Mechanical - 1.5L - Fusion

1. Refer to: CHARGE AIR COOLER (CAC) .
2. Refer to: **GENERATOR - 1.5L ECOBOOST (118KW/160PS)** .
5. Use the General Equipment: Hose Clamp Remover/Installer



2014 Ford Fusion S

2014 ENGINE Engine Mechanical - 1.5L - Fusion

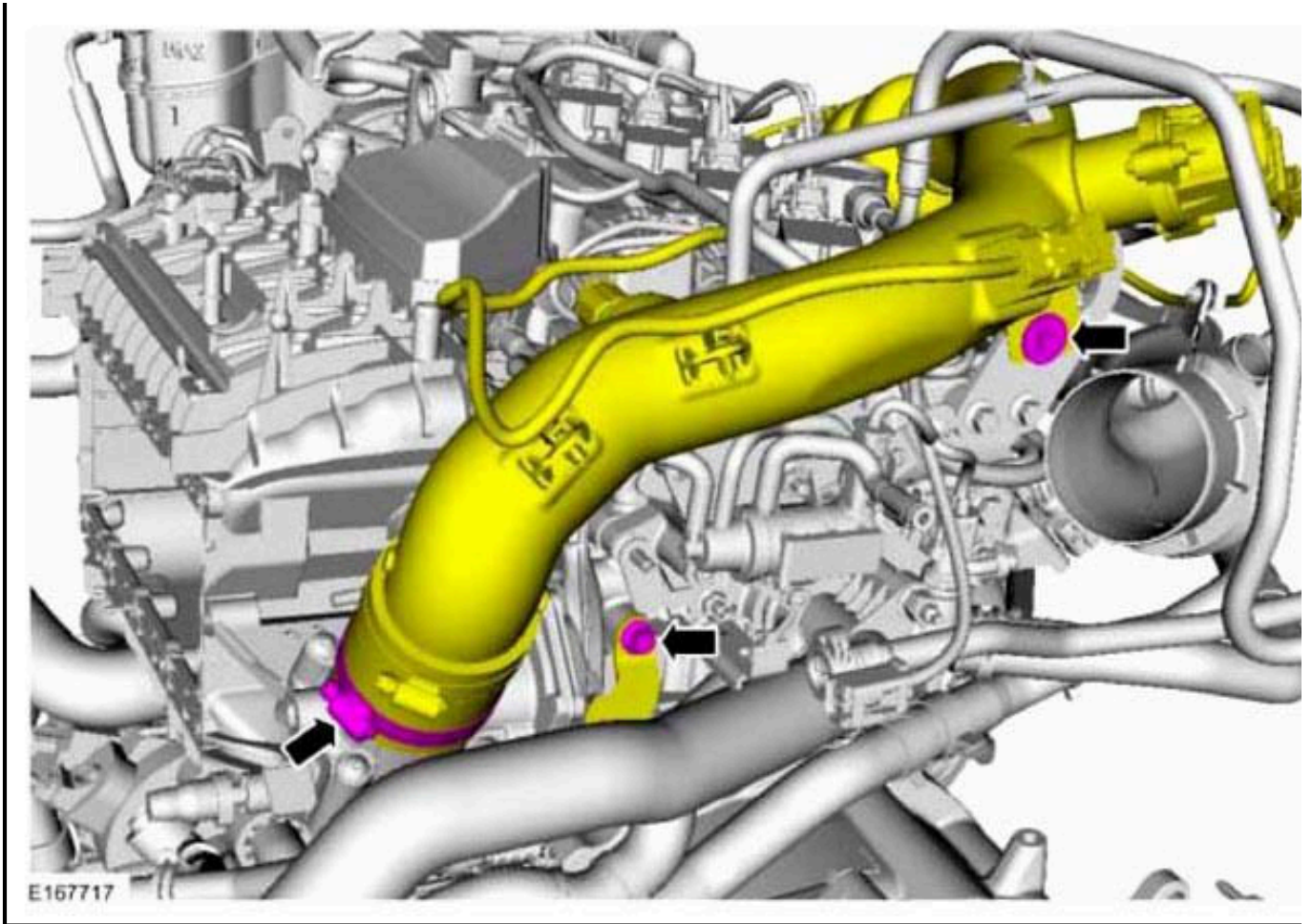


6.



2014 Ford Fusion S

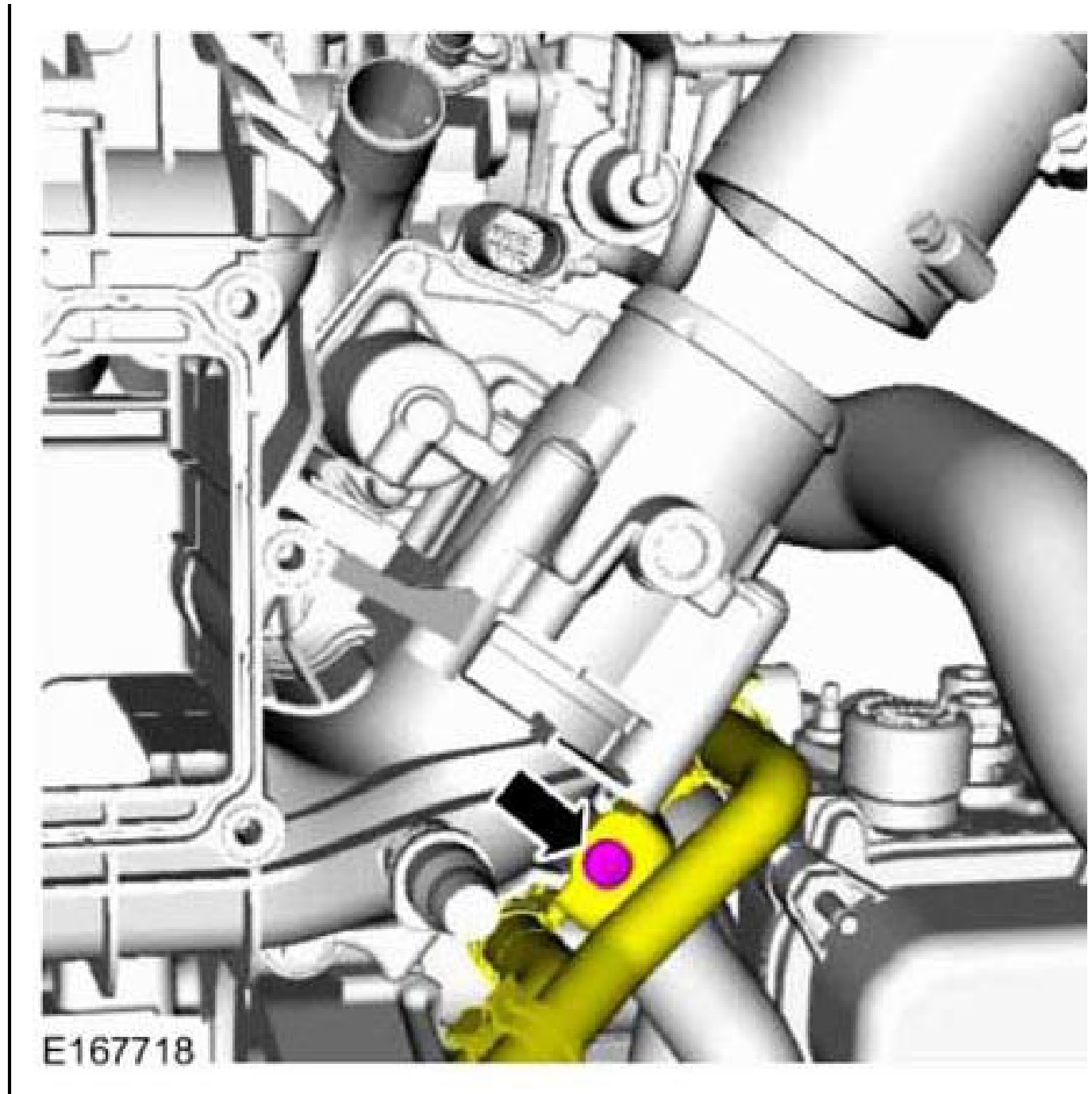
2014 ENGINE Engine Mechanical - 1.5L - Fusion



7.

2014 Ford Fusion S

2014 ENGINE Engine Mechanical - 1.5L - Fusion



- 8.
9. Use the General Equipment: Hose Clamp Remover/Installer