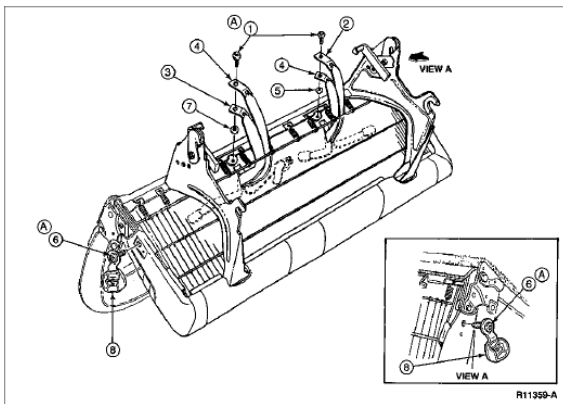
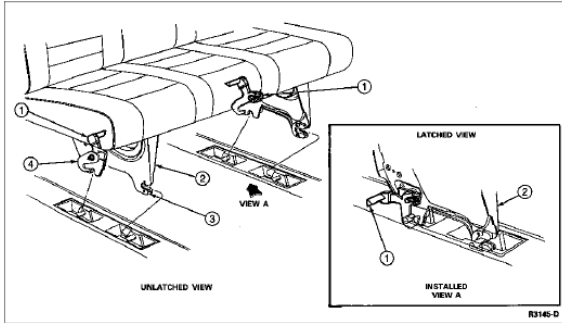


**Rear Safety Belt Assembly, Three-Passenger, Aerostar**



Item	Part Number	Description
1	386277	Bolt
2	613B84	Belt (LH)
3	613B85	Belt (RH)
4	611B66	Belt (Center)
5	354959-S	Washer
6	386276-S100	Bolt
7	388832	Washer
8	12601A90	Detachable Anchor
A		Tighten to 30-40 Nm

**Two- and Three-Passenger Seat Tracks, Aerostar**



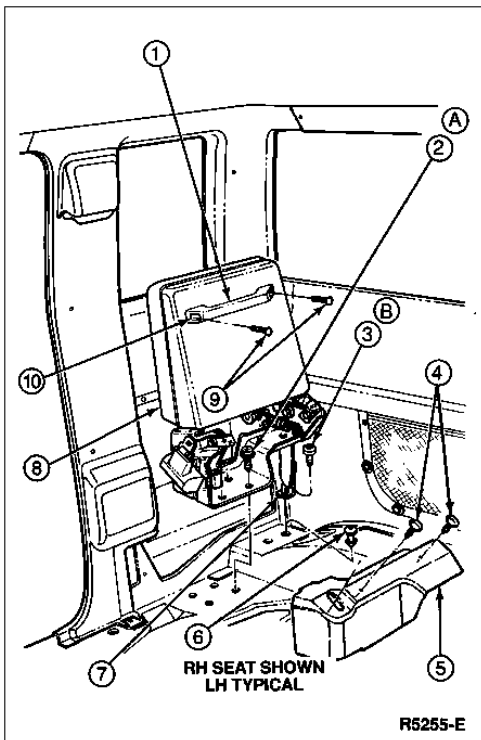
Item	Part Number	Description
1	62622	Front Seat Back Latch Handle (LH)
2	62526	Rear Bench Seat Support
3		Front Hook (Part of 62526)
4	624B18	J-Hook

**Folding Seat, Rear, Ranger SuperCab**

**Removal**

1. Remove three screws retaining cover assembly to seat assembly.
2. Remove bolt retaining seat belt buckle assembly to floor.
3. Remove five screws retaining seat assembly to cab floor. Remove seat assembly.

For installation follow removal procedure in reverse order. Tighten seat belt buckle assembly bolt to 30-40 Nm (21-30 lb-ft).



Item	Part Number	Description
1	31406	Seat Handle
2	81921-S2	Screw and Washer
3	3862272-S100	Bolt
4	388523-S	Plug Button (Restraint Hole Plug with Jump Seat Delete)
5		Cover (Part of 60026)
6	N803867-S	Button (Used with Jump Seat Delete for Seat Bolt Holes)
7	613B84	Belt Assembly
8	60026	Seat Assembly
9	55885-S2	Screws (2 Req'd)

1997 Aerostar/Ranger Workshop Manual

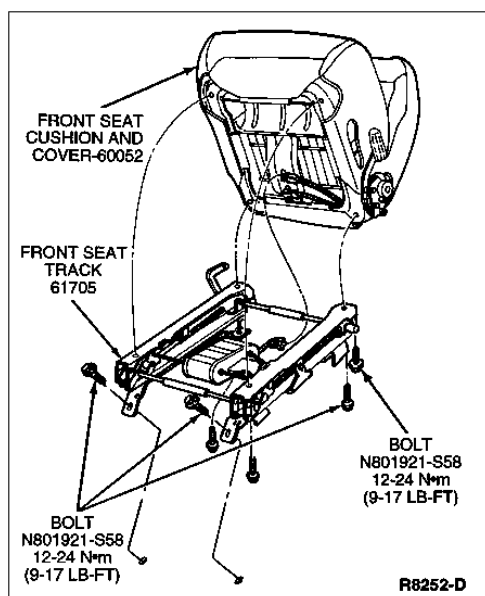
10	31458	Assist Handle Retainer Cover
A		Tighten to 19-25 Nm (14-18 Lb-Ft)
B		Tighten to 30-40 Nm (21-30 Lb-Ft)

---

---

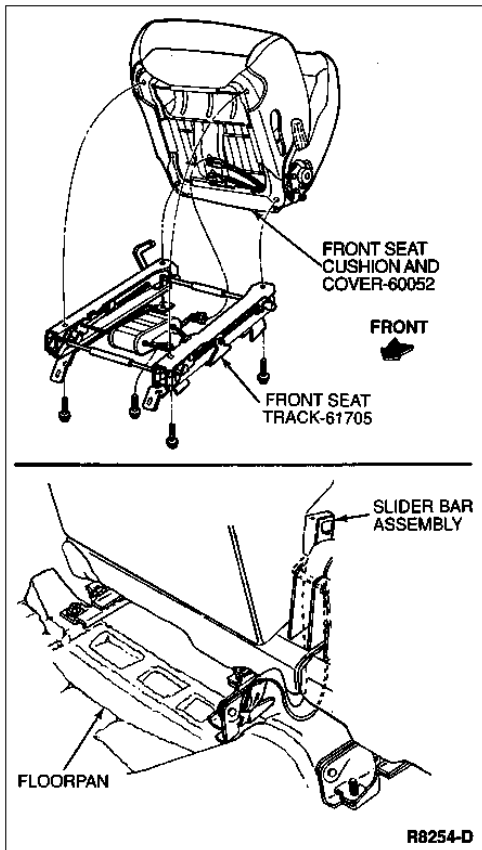
**Seat Track, Power Six-Way, Ranger SuperCab****Removal**

1. Remove heat shield covers to expose nuts from right rear of the front seat track (61705) by opening the locking tabs.
2. Position front seat track to full-up position.
3. Remove bolts retaining the front seat and front seat track to the floor.

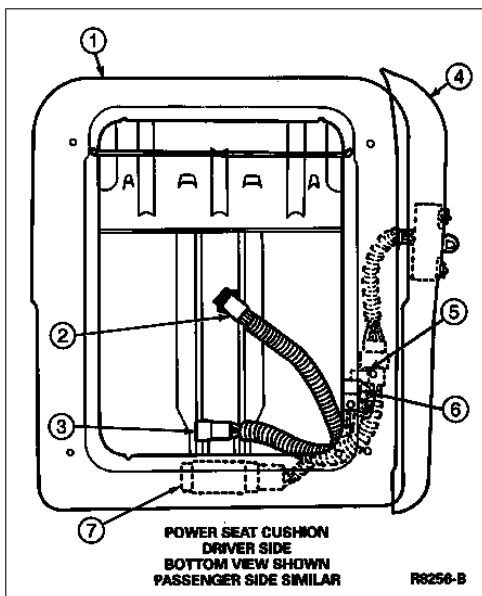


4. Remove plug to expose bolt securing slide bar to floorpan. Remove bolt and boot.
5. Disconnect the wire harness from under front seat cushion rear. Remove the front seat (60012) from the vehicle.
6. Place the front seat upside down on a clean bench.

**Power Six-Way Seat Track and Frame**



7. Remove bolt and nut attaching buckle slide bar to front seat track and remove slide bar and buckle assembly.
8. Disconnect the seat regulator motor (14547) from seat wiring harness.

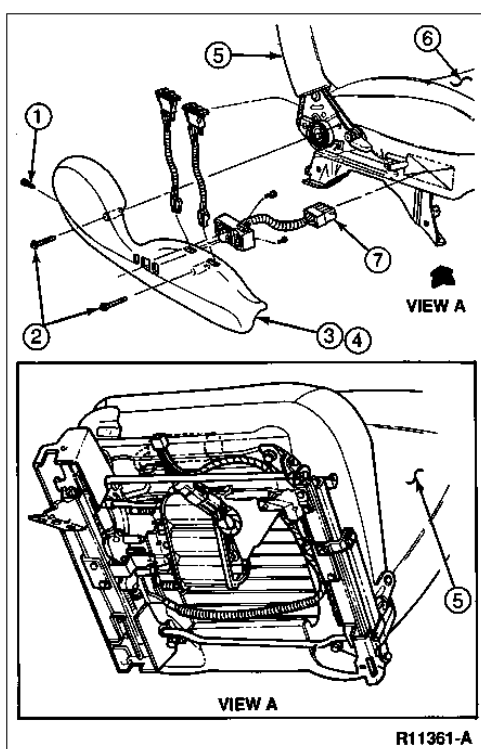


Item	Part Number	Description
------	-------------	-------------

1	63101	Seat Cushion Frame, Front
2		Wiring to Power Seat Motors (Part of 14C719)
3		Power Feed from Vehicle (No Connection) (Part of 14C719)
4	62187	Front Seat Cushion Side Shield
5		Wiring to Power Bolster Switch (Part of 14C715)
6		Wiring to Power Lumbar Switch (Part of 14C715)
7	65530	Front Seat Back Pad Adjusting Pump

9. Remove front seat cushion side shield (62186) from front seat back pad adjusting pump (65530) and disconnect front seat back pad adjusting hoses (65528) from seat back control switch.

### Side Shield Cover, Power Six-Way Seat



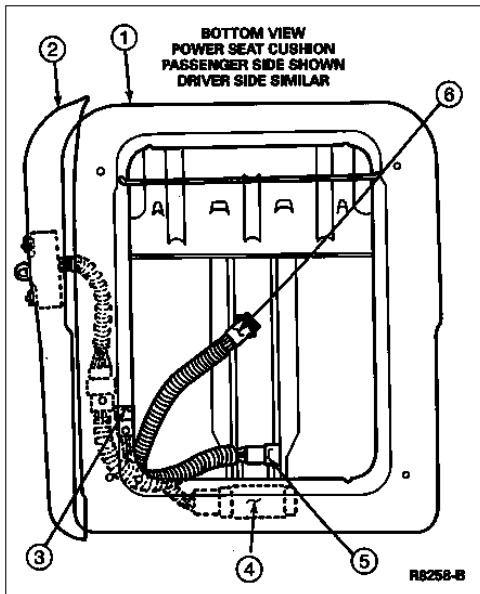
Item	Part Number	Description
1	56904-S2	Screw (1 Req'd)
2	383204-S2	Screw (2 Req'd)
3	62186	Front Seat Cushion Side Shield (RH)
4	62187	Front Seat Cushion Side Shield (LH)
5	60136	Seat Back Cover and Pad
6	60052	Front Seat Cushion and Cover
7	14A701	Seat Regulator Switch Wiring (RH)

10. **⚠ CAUTION: Use care when handling front seat and front seat track. Dropping the assembly or sitting on front seat not secured in vehicle may result in damaged components.**

Remove the four bolts retaining the front seat tracks to the front seat cushion frame and spring (63101). Remove the front seat track.

**Installation**

1. Position the front seat track to the front seat cushion frame and spring.
2. Secure the front seat track to the front seat cushion frame and spring using the four previously removed attaching bolts. Tighten the bolts to 17-23 Nm (12-17 lb-ft).
3. Secure inboard buckle and slide bar assembly to front seat track with previously removed bolt and nut.
4. Install seat regulator control switch (14A701) to front seat cushion side shield.
5. Reattach front seat back pad adjusting hoses to seat back control switch front seat cushion frame and spring.
6. Connect to seat wiring harness.



Item	Part Number	Description
1	63100	Seat Cushion Frame, Front
2	62186	Side Shield
3		Wiring to Power Lumbar Switch (Part of 14C719)
4	2875	Compressor