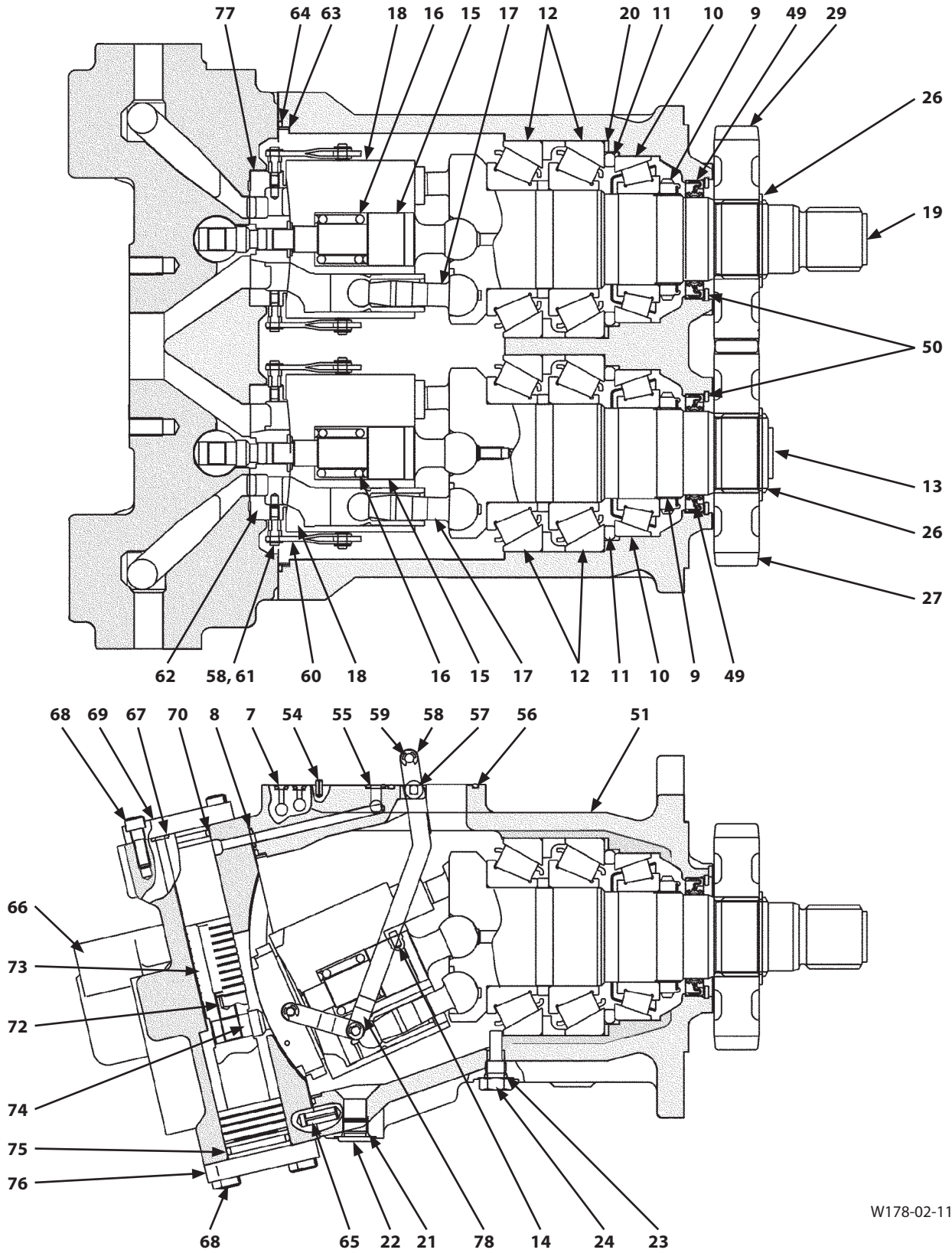


SECTION 3 UPPERSTRUCTURE

Group 8 Pump Device

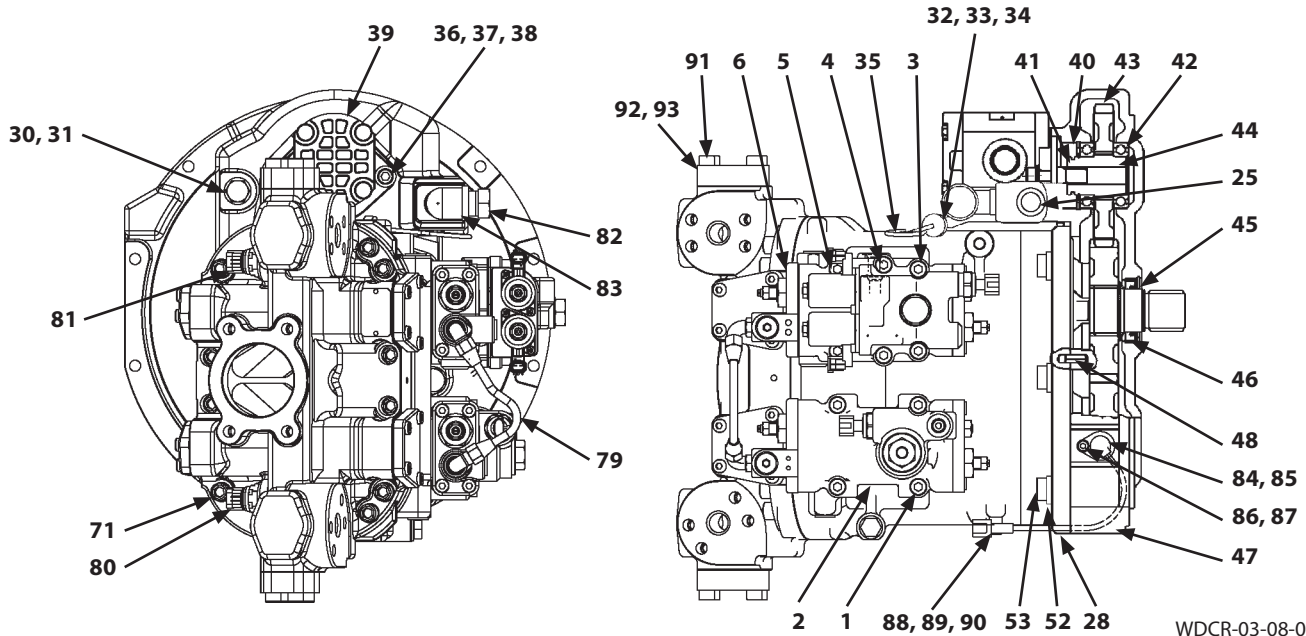
Assembly of Pump Device



W178-02-11-086

SECTION 3 UPPERSTRUCTURE

Group 8 Pump Device



WDCR-03-08-002

- | | | | |
|---------------------------|-----------------------------|------------------------------|-------------------------------------|
| 1- Socket Bolt (4 Used) | 26- Retaining Ring (2 Used) | 51- Pump Casing | 76- Stopper L (2 Used) |
| 2- Regulator | 27- Gear | 52- Spring Washer (6 Used) | 77- Valve Plate |
| 3- Socket Bolt (2 Used) | 28- Gasket | 53- Bolt (6 Used) | 78- Link (2 Used) |
| 4- Socket Bolt (2 Used) | 29- Gear | 54- Spring Pin (4 Used) | 79- Pipe |
| 5- Socket Bolt (2 Used) | 30- Plug | 55- O-Ring (10 Used) | 80- Pump 1 Delivery Pressure Sensor |
| 6- Regulator | 31- O-Ring | 56- O-Ring (2 Used) | 81- Pump 2 Delivery Pressure Sensor |
| 7- O-Ring (4 Used) | 32- Gasket | 57- Pin (2 Used) | 82- Plug |
| 8- O-Ring (6 Used) | 33- Socket Bolt (2 Used) | 58- Retaining Ring (12 Used) | 83- Elbow |
| 9- Bearing Nut (2 Used) | 34- Pipe | 59- Pin (2 Used) | 84- O-Ring |
| 10- Bearing (2 Used) | 35- Level Gauge | 60- Lever (4 Used) | 85- N Sensor |
| 11- Ring (2 Used) | 36- Socket Bolt (2 Used) | 61- Pin (4 Used) | 86- Washer |
| 12- Bearing (2 Used) | 37- Spring Washer (2 Used) | 62- Valve Plate | 87- Socket Bolt |
| 13- Shaft | 38- Washer (2 Used) | 63- Backup Ring | 88- Bracket |
| 14- Pin (2 Used) | 39- Pilot Pump | 64- O-Ring | 89- Spring Washer |
| 15- Center Shaft (2 Used) | 40- Retaining Ring | 65- Spring Pin (2 Used) | 90- Socket Bolt |
| 16- Spring (2 Used) | 41- Retaining Ring | 66- Selector Head | 91- Socket Bolt (8 Used) |
| 17- Plunger (14 Used) | 42- Ball Bearing (2 Used) | 67- O-Ring (4 Used) | 92- Cover (2 Used) |
| 18- Rotor (2 Used) | 43- Gear | 68- Socket Bolt (16 Used) | 93- O-Ring (2 Used) |
| 19- Shaft | 44- Gear Shaft | 69- Stopper S (2 Used) | |
| 20- Thrust Ring | 45- Retaining Ring | 70- O-Ring (2 Used) | |
| 21- O-Ring (2 Used) | 46- Oil Seal | 71- Socket Bolt (12 Used) | |
| 22- Plug (2 Used) | 47- Gear Casing | 72- Set Screw (2 Used) | |
| 23- O-Ring | 48- Spring Pin (2 Used) | 73- Servo Piston (2 Used) | |
| 24- Plug | 49- Oil Seal (2 Used) | 74- Pin (2 Used) | |
| 25- Air Breather | 50- Retaining Ring (2 Used) | 75- O-Ring (2 Used) | |