

## CLUTCH/OIL PUMP/KICK STARTER

### WEIGHT ASSEMBLY

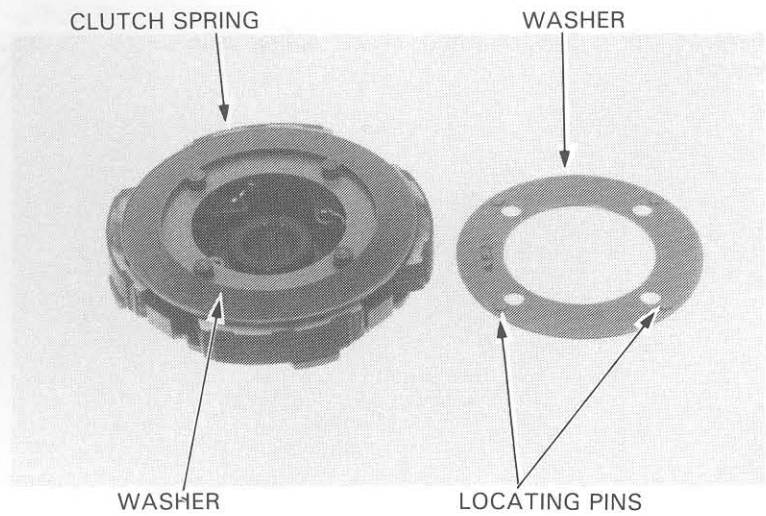
Install the washer.

#### NOTE

Install the clutch spring with the dished face towards the inside.

Install the outside washer with the locating pins facing out.

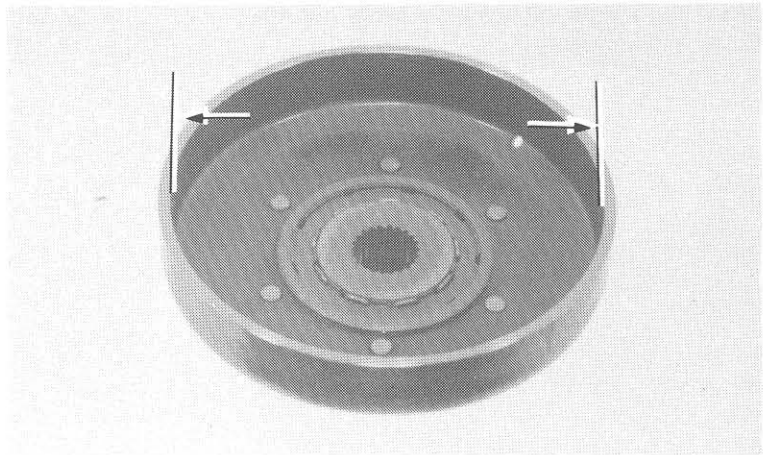
Install the E-clips aligning their gaps with the locating pins on the washer.



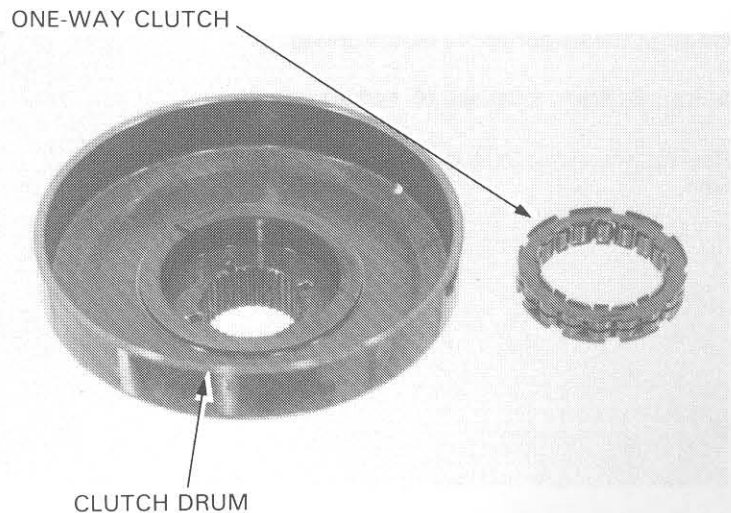
### CLUTCH DRUM/ONE-WAY CLUTCH SPRING

Check the inside of the centrifugal clutch drum for scratches or excessive wear. Replace if necessary. Measure the I.D. of the clutch drum.

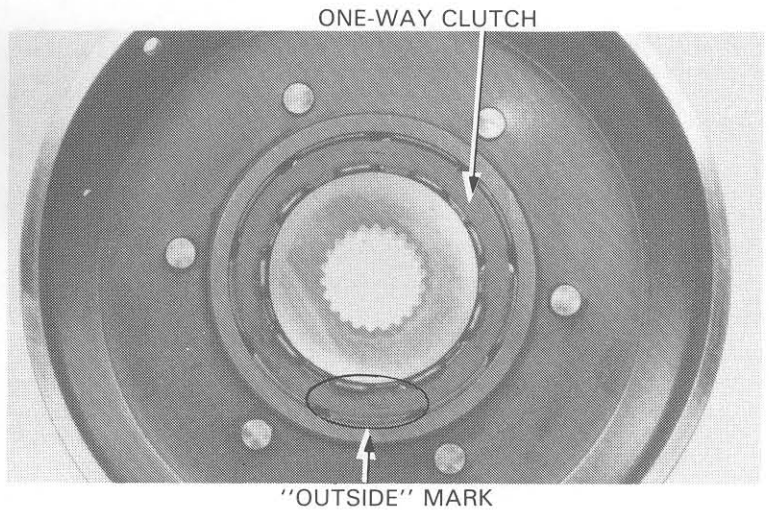
**SERVICE LIMIT: 140.2 mm (5.25 in)**



Inspect the one-way clutch for smooth operation. Check the rollers for excessive wear.

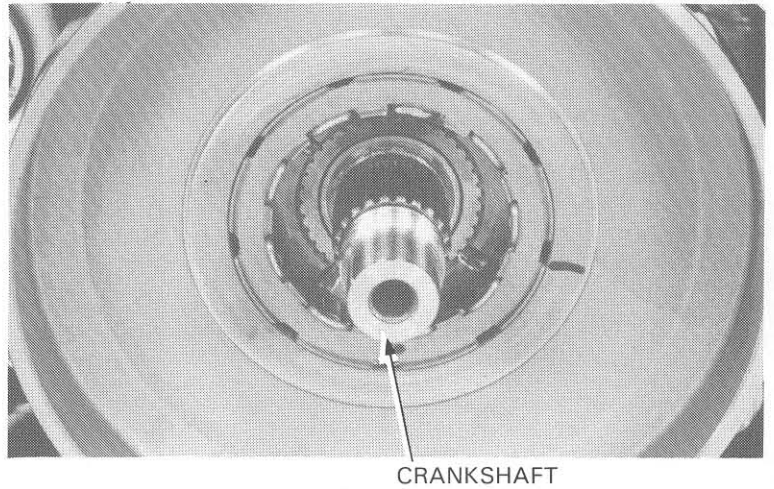


Install the one-way clutch into the clutch drum with its "OUTSIDE" mark facing out.



### INSTALLATION

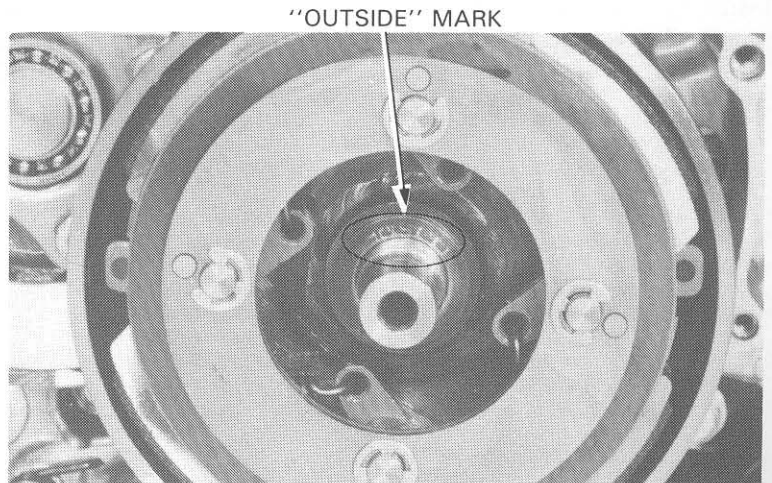
Install the centrifugal clutch drum with the one-way clutch onto the crankshaft.



Install the centrifugal clutch weight assembly onto the clutch drum without the lock washer and tighten the lock nut. But do not tighten it securely. Remove the lock nut and install the lock washer.

#### NOTE

Install the lock washer with the word "OUTSIDE" facing out.



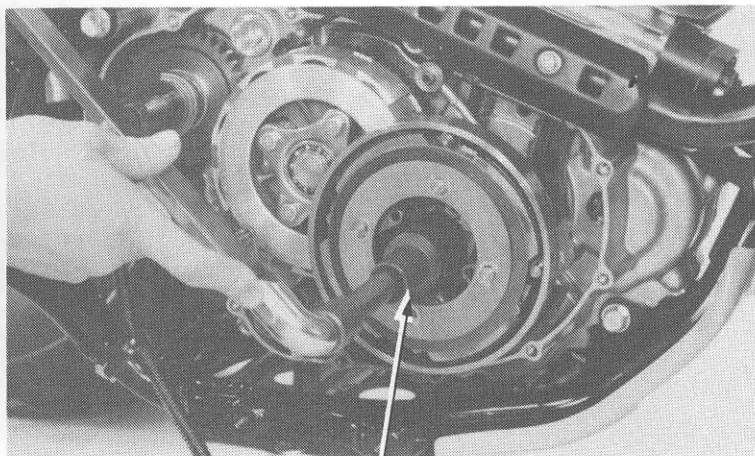
## CLUTCH/OIL PUMP/KICK STARTER

Apply thread locking agent to the lock nut and tighten it.

**TORQUE:** 110–130 N·m  
(11.0–13.0 kg-m, 80–94 ft-lb)

### NOTE

- The lock nut has left hand threads.
- Hold the flywheel with the flywheel holder or strap wrench.



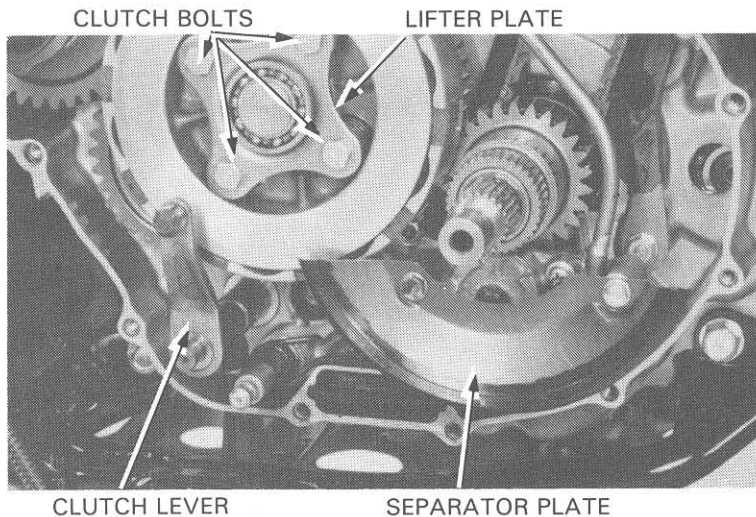
LOCK NUT WRENCH,  
17 x 27 mm 07716–0020300  
OR COMMERCIALY AVAILABLE IN U.S.A.

## MANUAL CLUTCH

### REMOVAL

Remove the following:

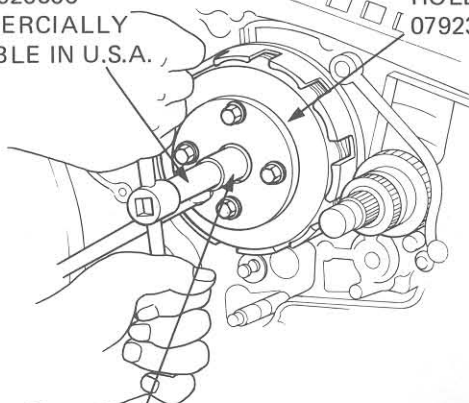
- right crankcase cover (page 8-3).
- centrifugal clutch (page 8-10).
- separator plate.
- clutch lever.
- clutch bolts.
- lifter plate.
- clutch springs.



Install the clutch center holder as shown, and remove the clutch lock nut.

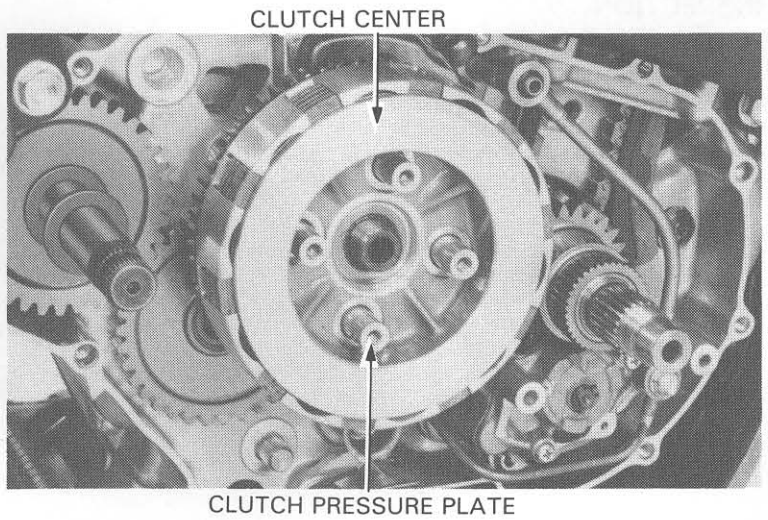
EXTENSION BER  
07716–0020500  
or COMMERCIALY  
AVAILABLE IN U.S.A.

CLUTCH CENTER  
HOLDER  
07923–KE10001

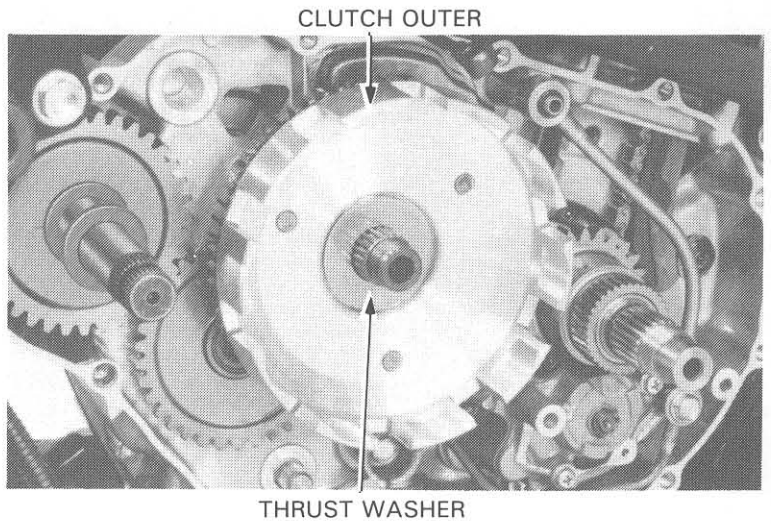


LOCK NUT WRENCH, 17 x 27 mm 07716–0020300  
or COMMERCIALY AVAILABLE IN U.S.A.

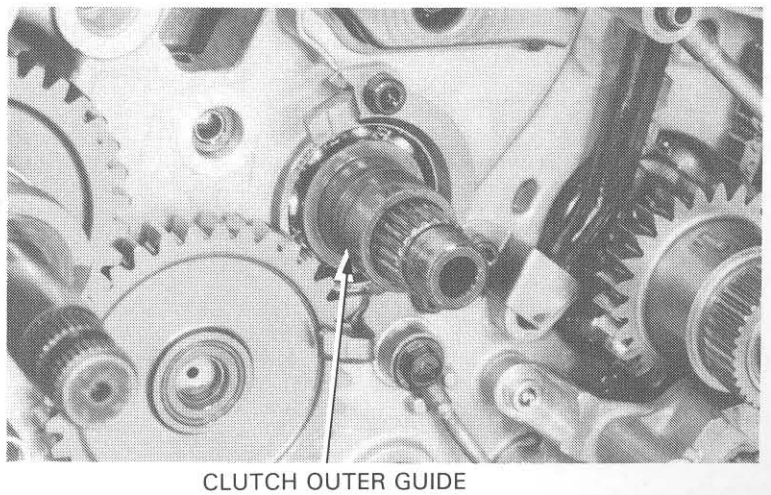
Remove the lock washer, clutch center, discs, plates and pressure plates.



Remove the thrust washer and clutch outer.



Remove the clutch outer guide from the mainshaft.



## CLUTCH/OIL PUMP/KICK STARTER

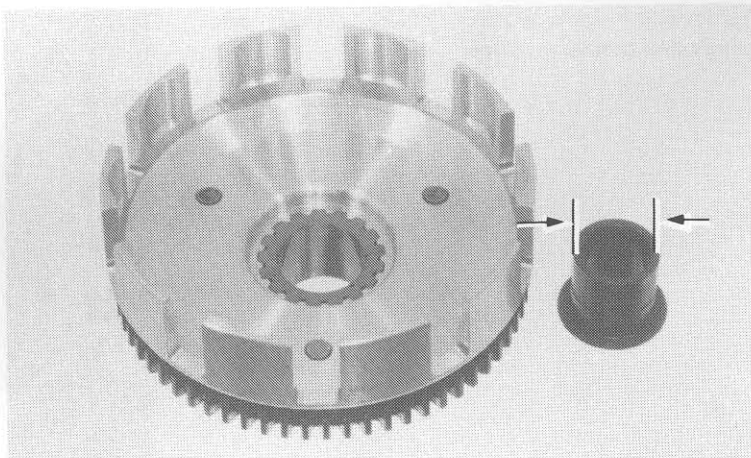
---

### INSPECTION

Check the slots of the clutch outer for damage or wear made by the clutch discs. Replace if necessary.

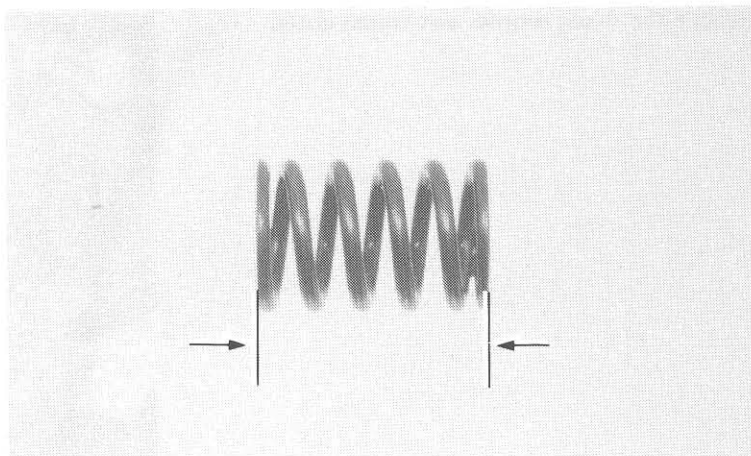
Measure the O.D. of the clutch outer guide.

**SERVICE LIMIT: 27.92 mm (1.099 in)**



Measure the spring free length.

**SERVICE LIMIT: 34.0 mm (1.34 in)**



Replace the clutch discs if they show signs of scoring or discoloration.

Measure the disc thickness.

**SERVICE LIMIT: 2.3 mm (0.09 in)**

